



# PRODUCT SPECIFICATION

---

VERTECO 4



---

## INTRODUCTION

---

The VerTECO 4 is the latest generation in the VerTECO family, designed to provide the ultimate lighting solution for warehousing, logistics and manufacturing applications. The VerTECO 4 includes the same tried and tested features of previous generations including three lens options, quick and simple installation, our integral Reacta 18 sensor with ground level programming and a wide selection of dimming, lithium emergency and wireless control options with our Reacta-Link and Reacta-Air systems. The VerTECO 4 also includes our latest generation of lenses with premium mid power LEDs offering state of the art efficiency.

The VerTECO 4 has also been designed to minimise embodied carbon, whilst also encompassing the requirements of CIBSE TM66 to allow for simple upgrade and repair over lifetime. All key components are easily accessible and can be replaced with basic tools and the product is designed with two dedicated trays, one for the drivers, sensor, emergency module and battery and another for the LED circuits and lenses. At end of life these trays can be easily replaced allowing the luminaire housing to be reused for multiple life cycles and allowing efficiency upgrades to be easily gained with minimum cost and environmental impact.



CE IP20 TM21: L90>60K HOURS / L80>90K HOURS 3 STEP MACADAM ELLIPSE

---

## APPLICATION

---

► Food / Clean Area

- › Industrial / Manufacturing
- › Retail
- › Transport
- › Warehouse / Storage

---

## SPECIFICATION

---

### CONSTRUCTION

- › Housing: 0.7mm CR4 steel
- › Finish: Polyester powder painted BS 00E55 matt white 60% gloss
- › Endcaps: Injection moulded polycarbonate
- › Lens: Injection moulded polycarbonate lens
- › IP20

### PERFORMANCE

- › Part L2 compliant
- › 3SCDM Three step Macadams ellipse
- › TM21: L90>60K Hours / L80>90K Hours

### ENVIRONMENTAL

- › Designed to allow simple replacement of components with commonly available tools in compliance with the Eco Design Directive, please see the installation leaflet for maintenance instructions.
- › Powered by European branded drivers and emergency modules ensuring replacement parts are easily sourced.
- › Every luminaire is labelled with a unique ID number allowing easy identification of spare parts for the lifetime of the product.
- › Contains no single use plastics or polystyrene packaging.
- › Supplied in plain card boxes with paper tape ensuring packaging is easily recycled.
- › Designed to allow simple disassembly for end of life recycling.
- › UK based manufacturing providing local support throughout the product lifetime and minimising transportation miles.
- › All control gear components are mounted on an easily replaceable tray, whilst the LED circuits and lenses are mounted on a separate replaceable tray allowing modular repair and upgrade of the luminaire.

### EMERGENCY

- › Available with optional standard, self test and autotest integral emergency with lithium batteries for extended warranty and lifetime.
- › Optional Reacta-Link wireless emergency for automated centralised reporting.
- › Optional Reacta-Control wireless emergency for automated centralised reporting.

- › Optional central battery changeover relay

## CONTROL

- › Optional compatibility with a range of dimming systems including DALI, DSI and Switch Dimming
- › Optional Integral R18 presence and daylight sensor
- › Optional Integral Reacta-Air wireless presence and daylight regulations sensor
- › Optional integral Reacta-Link for integration with Reacta-Link wireless installations
- › Ground level commissioning with REA-AP controller allows quick and simple setting and adjustment of sensors without the need for costly commissioning.
- › R18 Integral sensor control provides daylight regulation and presence detection combined with optional wireless linking for Dexeco's predictive lighting system.

## INSTALLATION

- › Suitable for suspended installation
- › Suitable for trunking installation
- › Suitable for surface installation
- › Rear housing contains fixings for range of installation methods.
- › Side mounted plug and socket connector for quick electrical connection with no need to access the luminaire.

## VARIATIONS

- › Available with a wide range of colour temperatures and renderings
- › Available in a range of housing sizes and lumen outputs

---

## IMAGES

---

### PRODUCT IMAGES

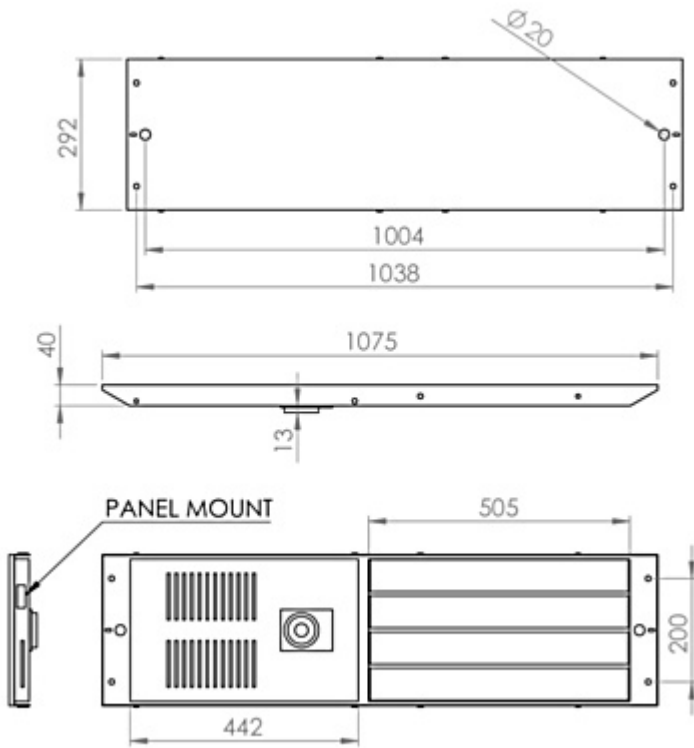


Verteco 4 - 4 card



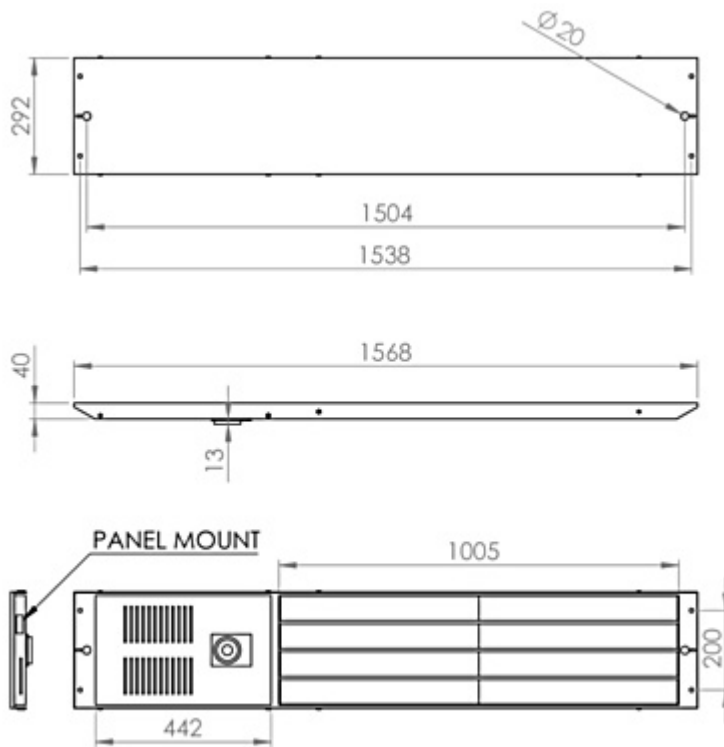
Verteco 4 - 8 card

TECHNICAL



VRT4 4 Cell





VRT4 8 Cell

## WARRANTY

At Dextra our commitment to service has been at the forefront throughout our history spanning more than forty years in the UK lighting market. Our service ethos extends beyond design and delivery, we believe supporting your installation throughout the warranty period is equally crucial, whilst the strength and longevity of Dextra Group provides peace of mind that our warranty will be supported throughout.

The Dextra range is supplied with a five year warranty commencing from the date of delivery. During the first three years defects will be repaired on site and the warranty will include both parts and labour. For the final two years drivers, emergency modules, wireless modules, sensors and LED circuits will be supplied free of charge to replace defective components, labour and other associated costs are not included.

Certain ranges and components are subject to exemptions:

- Lithium batteries are provided with a five year warranty. During the first three years defects will be repaired on site and the warranty will include both parts and labour. For the final two years replacement batteries will be supplied free of charge to replace defective components. Five year warranty became effective as of 03/02/25, Lithium emergency luminaires supplied prior to this date are supported with a three year on site warranty only. Labour and other associated costs are not included. Nickel Metal Hydride and Nickel Cadmium batteries are provided with a one year warranty for parts and labour.

- Emergency luminaires including AME LED, EXI LED, EXI2 LED, EXI Track, HBE LED, HBE2 LED, OAT2 LED, OEZ LED and Twinspot with Nickel Metal Hydride batteries are supplied with a one year warranty for parts and labour. Lithium variants of these ranges are supplied with a three year warranty for parts and labour with the exception of the AME2, EXI3, HBE3 and TWS IP65 L7 ranges which are supplied with a one year parts and labour warranty. TWS IP65 L7 in autotest and wireless variants are supplied with the standard three year lithium battery warranty.
- Protec Micro, PTECF7 Fire Rated Downlights, Serenus and the Opus Sconce are provided with a five year replacement luminaire only warranty. Protec FR Fire Rated Downlights are provided with a 2 year replacement luminaire only warranty.
- Controls systems such as standalone sensors, switches, marshalling boxes and cabling are provided with a one year warranty for both parts and labour. DALI control systems are provided with a two year warranty for both parts and labour.
- LEDextra ranges are supplied with a three year parts or replacement luminaire only warranty with the exception of the IMPR RGBW, the Runway RGBW, the MOD RGBW, Tanek RGBW and the DexRing. These five ranges are supplied with our standard five year warranty during which defects within the first three years will be repaired on site and the warranty includes both parts and labour. For the final two years free of charge replacement components only will be supplied to rectify any failures but labour and other associated costs are not included.
- LEDEX ranges are supplied with a three year replacement luminaire only warranty.
- The Decorative Pendant ranges, Bebo, Dene, Nova, Fino and Stix are supplied with a 3 year replacement luminaire only warranty.

All warranties are subject to correct use of the product and will be invalidated by misuse, for example incorrect installation, unsuitable environmental conditions or incorrect maintenance. It is the duty of the customer to ensure that all the fault lies with the luminaire prior to requesting replacement parts or site repairs. In the event that no defect is found with the product our costs for attending site will be recharged to the customer and credit will not be issued against returned products. No consequential losses incurred resulting from any defect with our product will be reimbursed.

Given the nature of LED technology a small percentage of LEDs may fail during the lifetime of a luminaire, this does not cause a reduction in lumen output. As such LED luminaires are only deemed to be faulty for warranty purposes when in excess of ten percent of LEDs have failed in a single luminaire.

On site repair of products under warranty will be undertaken during normal working hours, 9am to 5pm Monday to Friday, and will require unrestricted access to luminaires. Where required Dextra will provide access equipment to carry out repairs at height, should luminaires have been installed in locations where reasonable provision for maintenance access has not been made we reserve the right to supply replacement product only. On site warranty repairs will only be undertaken on the mainland of the UK and Ireland, in all other locations replacement product only will be provided.

**If you require any assistance with regards to our products please contact our Customer Services department on 01747 858100.**

ORDER CODES

**LUMINAIRE**

Code	Description	Power	Llm/W
VRT4 4L100 OA	Verteco 4, 4 Circuit, 9,282lIm, Open Area, Colour 84	54.1W	172
VRT4 4L200 OA	Verteco 4, 4 Circuit, 18,564lIm , Open Area, Colour 84	110.9W	167
VRT4 4L250 OA	Verteco 4, 4 Circuit, 23,205lIm, Open Area, Colour 84	131.7W	175
VRT4 4L300 OA	Verteco 4, 4 Circuit, 28,523lIm, Open Area, Colour 84	161.8W	176
VRT4 8L300 OA	Verteco 4, 8 Circuit, 28,523lIm, Open Area, Colour 84	157.0W	181
VRT4 8L400 OA	Verteco 4, 8 Circuit, 37,128lIm, Open Area, Colour 84	223.9W	166
VRT4 8L500 OA	Verteco 4, 8 Circuit, 46,410lIm, Open Area, Colour 84	263.5W	176
VRT4 8L600 OA	Verteco 4, 8 Circuit, 55,692lIm , Open Area, Colour 84	323.7W	172
VRT4 4L100 HR	Verteco 4, 4 Circuit, 9,448lIm, High Rack, Colour 84	54.1W	175
VRT4 4L200 HR	Verteco 4, 4 Circuit, 18,896lIm, High Rack, Colour 84	110.9W	170
VRT4 4L250 HR	Verteco 4, 4 Circuit, 23,620lIm, High Rack, Colour 84	131.7W	179
VRT4 4L300 HR	Verteco 4, 4 Circuit, 28,964lIm, High Rack, Colour 84	161.8W	179
VRT4 8L300 HR	Verteco 4, 8 Circuit, 28,964lIm, High Rack, Colour 84	157.0W	184
VRT4 8L400 HR	Verteco 4, 8 Circuit, 37,792lIm, High Rack, Colour 84	223.9W	169
VRT4 8L500 HR	Verteco 4, 8 Circuit, 47,240lIm, High Rack, Colour 84	263.5W	179
VRT4 8L600 HR	Verteco 4, 8 Circuit, 56,688lIm, High Rack, Colour 84	323.7W	175
VRT4 4L100 UHR	Verteco 4, 4 Circuit, 9,464lIm, Ultra High Rack, Colour 84	54.1W	175
VRT4 4L200 UHR	Verteco 4, 4 Circuit, 18,928lIm, Ultra High Rack, Colour 84	110.9W	171
VRT4 4L250 UHR	Verteco 4, 4 Circuit, 23,660lIm, Ultra High Rack, Colour 84	131.7W	180
VRT4 4L300 UHR	Verteco 4, 4 Circuit, 29,013lIm, Ultra High Rack, Colour 84	161.8W	179
VRT4 8L300 UHR	Verteco 4, 8 Circuit, 29,013lIm, Ultra High Rack, Colour 84	157.0W	185
VRT4 8L400 UHR	Verteco 4, 8 Circuit, 37,856lIm, Ultra High Rack, Colour 84	223.9W	169
VRT4 8L500 UHR	Verteco 4, 8 Circuit, 47,320lIm, Ultra High Rack, Colour 84	263.5W	179
VRT4 8L600 UHR	Verteco 4, 8 Circuit, 56,784lIm, Ultra High Rack, Colour 84	323.7W	175

**CONTROL**

Code	Description
R18U	Reacta 18, Ultra Wide, Presence & Daylight, 4-7M
R18W	Reacta 18, Wide, Presence & Daylight, 7-18M
R18H	Reacta 18, Narrow, Presence & Daylight, 7-18M
R18WRF	Reacta 18, Wireless, Wide, Presence & Daylight, 7-18M
R18HRF	Reacta 18, Wireless, Narrow, Presence & Daylight, 7-18M
RLI	Reacta-Link, Wireless Enabled Luminaire
RLS10	Reacta-Link Wireless, Presence, 5-10M
RLS15	Reacta-Link Wireless, Presence, 10-15M
RC	Reacta-Control, Wireless Enabled Luminaire
RC18	Reacta 18 IP65, Presence and Daylight, 8-18M

Please click [here](#) for full details on our wireless controls.

**EMERGENCY**

Code	Description
LE3	Lithium Standard Emergency 3 Hour
LS3	Lithium Selftest Emergency 3 Hour
LA3	Lithium Autotest Emergency 3 Hour
LE3H	Lithium Standard Emergency 3 Hour High Output
LS3H	Lithium Selftest Emergency 3 Hour High Output
LA3H	Lithium Autotest Emergency 3 Hour High Output
LSTR	Lithium Reacta-Link Emergency 3 Hour



---

LA3RC	Lithium Reacta-Control Emergency 3 Hour
CB	Central Battery, Please Specify 50V, 110V or 230V when Ordering

---

**MISCELLANEOUS**

Code	Description
C**	Select Colour Temperature and Rendering: C83, C84, C85, C865, C93, C94
LSF	Low Smoke Zero Halogen

---