



# PRODUCT SPECIFICATION

---

SERIAL CURVE



## INTRODUCTION

The Serial Curve is the latest addition to our popular Serial troffer range, designed as a retro-fit solution for rapid installation this cost effective system offers maximum optical performance with minimal glare. The bespoke 2m long gear trays are supplied fully assembled out the box with a pre-fitted wiring loom and diffuser optic. They are available with either a 4 pole, 6 pole or 9 pole 2.5mm<sup>2</sup> male/female wiring loom allowing for dual switching, lithium emergency and dimming control. The curved opal diffusers offer maximum light transmission whilst shielding the point source of the LEDs to minimise glare from below. The gear trays are fully customisable and can be adapted to suit both exposed tee and concealed fix ceiling systems, making this versatile retro-fit solution the perfect partner for retail refurbishments. Wireless dimming and control can be offered with our Reacta-Dim system and Reacta-Link options are also available where web based control and reporting of luminaires is required.

We offer a range of wireless control systems providing localised grouping and control as well as comprehensive wireless solutions allowing both standard and emergency luminaires to be centrally monitored.



CE IP20 TM21: L90>60K HOURS / L80>90K HOURS 3 STEP MACADAM ELLIPSE

## APPLICATION

- Hotel / Leisure
- Retail

---

---

## SPECIFICATION

---

### CONSTRUCTION

- › Housing: 0.7mm CR4 steel
- › Finish: Polyester powder painted BS 00E55 matt white 60% gloss
- › Diffuser: 2mm extruded high transmission opal polycarbonate
- › IP20

### PERFORMANCE

- › Part L2 compliant
- › 3SCDM Three step Macadams ellipse
- › TM21: L90>60K Hours / L80>90K Hours

### ENVIRONMENTAL

- › Designed to allow simple replacement of components with commonly available tools in compliance with the Eco Design Directive, please see the installation leaflet for maintenance instructions.
- › Powered by European branded drivers and emergency modules ensuring replacement parts are easily sourced.
- › Every luminaire is labelled with a unique ID number allowing easy identification of spare parts for the lifetime of the product.
- › Contains no single use plastics or polystyrene packaging.
- › Supplied in plain card boxes with paper tape ensuring packaging is easily recycled.
- › Designed to allow simple disassembly for end of life recycling.
- › UK based manufacturing providing local support throughout the product lifetime and minimising transportation miles.

### EMERGENCY

- › Available with optional standard, self test and autotest integral emergency with lithium batteries for extended warranty and lifetime.
- › Optional Reacta-Link wireless emergency for automated centralised reporting.
- › Optional Reacta-Control wireless emergency for automated centralised reporting.
- › Optional central battery changeover relay

### CONTROL

- › Optional compatibility with a range of dimming systems including DALI, DSI and Switch Dimming
- › Optional White tunable
- › Optional integral Reacta-Link for integration with Reacta-Link wireless installations

### INSTALLATION

- › Suitable for lay-in installation in exposed T ceilings

- Suitable for pull-up installation in concealed grid ceilings
- Supplied with 4, 6 or 9 pole 2.5mm loom

**VARIATIONS**

- Available with a wide range of colour temperatures and renderings
- Available in a range of housing sizes and lumen outputs

IMAGES

**PRODUCT IMAGES**



Serial Curve



Serial Curve brackets



Serial joining kit



4 pole connector blocks.



6 pole connector blocks.



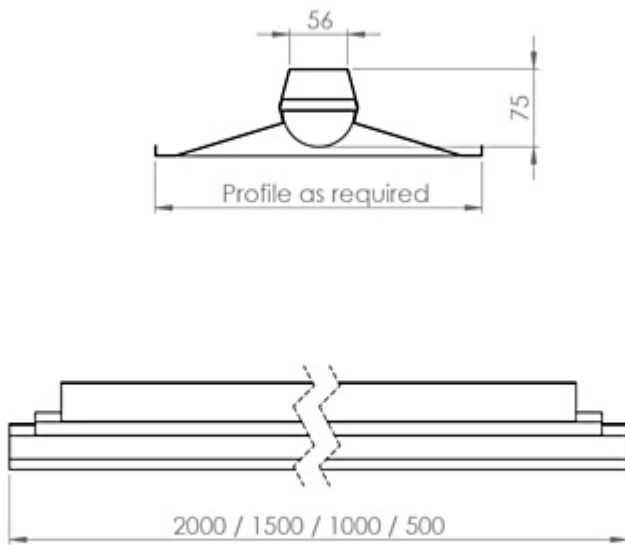
9 pole connector blocks.

PROJECT IMAGES



TECHNICAL

>



## Serial Curve

## WARRANTY

At Dextra our commitment to service has been at the forefront throughout our history spanning more than forty years in the UK lighting market. Our service ethos extends beyond design and delivery, we believe supporting your installation throughout the warranty period is equally crucial, whilst the strength and longevity of Dextra Group provides peace of mind that our warranty will be supported throughout.

The Dextra range is supplied with a five year warranty commencing from the date of delivery. During the first three years defects will be repaired on site and the warranty will include both parts and labour. For the final two years drivers, emergency modules, wireless modules, sensors and LED circuits will be supplied free of charge to replace defective components, labour and other associated costs are not included.

Certain ranges and components are subject to exemptions:

- Lithium batteries are provided with a five year warranty. During the first three years defects will be repaired on site and the warranty will include both parts and labour. For the final two years replacement batteries will be supplied free of charge to replace defective components. Five year warranty became effective as of 03/02/25, Lithium emergency luminaires supplied prior to this date are supported with a three year on site warranty only. Labour and other associated costs are not included. Nickel Metal Hydride and Nickel Cadmium batteries are provided with a one year warranty for parts and labour.

- Emergency luminaires including AME LED, EXI LED, EXI2 LED, EXI Track, HBE LED, HBE2 LED, OAT2 LED, OEZ LED and Twinspot with Nickel Metal Hydride batteries are supplied with a one year warranty for parts and labour. Lithium variants of these ranges are supplied with a three year warranty for parts and labour with the exception of the AME2, EXI3, HBE3 and TWS IP65 L7 ranges which are supplied with a one year parts and labour warranty. TWS IP65 L7 in autotest and wireless variants are supplied with the standard three year lithium battery warranty.
- Protec Micro, PTECF7 Fire Rated Downlights, Serenus and the Opus Sconce are provided with a five year replacement luminaire only warranty. Protec FR Fire Rated Downlights are provided with a 2 year replacement luminaire only warranty.
- Controls systems such as standalone sensors, switches, marshalling boxes and cabling are provided with a one year warranty for both parts and labour. DALI control systems are provided with a two year warranty for both parts and labour.
- LEDextra ranges are supplied with a three year parts or replacement luminaire only warranty with the exception of the IMPR RGBW, the Runway RGBW, the MOD RGBW, Tanek RGBW and the DexRing. These five ranges are supplied with our standard five year warranty during which defects within the first three years will be repaired on site and the warranty includes both parts and labour. For the final two years free of charge replacement components only will be supplied to rectify any failures but labour and other associated costs are not included.
- LEDEX ranges are supplied with a three year replacement luminaire only warranty.
- The Decorative Pendant ranges, Bebo, Dene, Nova, Fino and Stix are supplied with a 3 year replacement luminaire only warranty.

All warranties are subject to correct use of the product and will be invalidated by misuse, for example incorrect installation, unsuitable environmental conditions or incorrect maintenance. It is the duty of the customer to ensure that all the fault lies with the luminaire prior to requesting replacement parts or site repairs. In the event that no defect is found with the product our costs for attending site will be recharged to the customer and credit will not be issued against returned products. No consequential losses incurred resulting from any defect with our product will be reimbursed.

Given the nature of LED technology a small percentage of LEDs may fail during the lifetime of a luminaire, this does not cause a reduction in lumen output. As such LED luminaires are only deemed to be faulty for warranty purposes when in excess of ten percent of LEDs have failed in a single luminaire.

On site repair of products under warranty will be undertaken during normal working hours, 9am to 5pm Monday to Friday, and will require unrestricted access to luminaires. Where required Dextra will provide access equipment to carry out repairs at height, should luminaires have been installed in locations where reasonable provision for maintenance access has not been made we reserve the right to supply replacement product only. On site warranty repairs will only be undertaken on the mainland of the UK and Ireland, in all other locations replacement product only will be provided.

**If you require any assistance with regards to our products please contact our Customer Services department on 01747 858100.**

## ORDER CODES

## LUMINAIRE

## Continuous Run

Code	Description	Power	Llm/W
SRLC 2L70 OP	Serial Curve, 2000mm, 6,055lm, Curved Diffuser and Loom		
SRLC 2L100 OP	Serial Curve, 2000mm, 8,650lm, Curved Diffuser and Loom		
SRLC 2L120 OP	Serial Curve, 2000mm, 10,380lm, Curved Diffuser and Loom		
SRLC 2L147 OP	Serial Curve, 2000mm, 12,715lm, Curved Diffuser and Loom		

## End of Run

Code	Description	Power	Llm/W
SRLC 15L52 OP	Serial Curve, 1500mm, 4,541lm, Curved Diffuser and Loom		
SRLC 15L75 OP	Serial Curve, 1500mm, 6,487lm, Curved Diffuser and Loom		
SRLC 15L90 OP	Serial Curve, 1500mm, 7,785lm, Curved Diffuser and Loom		
SRLC 15L110 OP	Serial Curve, 1500mm, 9,515lm, Curved Diffuser and Loom		
SRLC 1L35 OP	Serial Curve, 1000mm, 3,027lm, Curved Diffuser and Loom		
SRLC 1L50 OP	Serial Curve, 1000mm, 4,325lm, Curved Diffuser and Loom		
SRLC 1L60 OP	Serial Curve, 1000mm, 5,190lm, Curved Diffuser and Loom		
SRLC 1L73 OP	Serial Curve, 1000mm, 6,357lm, Curved Diffuser and Loom		
SRLC 5L17 OP	Serial Curve, 500mm, 1,470lm, Curved Diffuser and Loom		
SRLC 5L25 OP	Serial Curve, 500mm, 2,162lm, Curved Diffuser and Loom		
SRLC 5L30 OP	Serial Curve, 500mm, 2,595lm, Curved Diffuser and Loom		
SRLC 5L36 OP	Serial Curve, 500mm, 3,178lm, Curved Diffuser and Loom		

## DIMMING

Code	Description
A	DALI Digital Addressable Lighting Interface
S	Switch Dimming
D	DSI Digital Dimming
H	HFR Analogue 1-10v

## CONTROL

Code	Description
RLI	Reacta-Link, Wireless Enabled Luminaire
RC	Reacta-Control, Wireless Enabled Luminaire
RCS	Reacta-Control Wireless, Presence & Daylight, 2.5-4M

Please click [here](#) for full details on our wireless controls.

## EMERGENCY

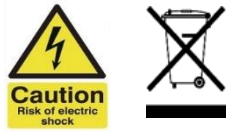
Code	Description
LE3	Lithium Standard Emergency 3 Hour
LS3	Lithium Selftest Emergency 3 Hour
LA3	Lithium Autotest Emergency 3 Hour
LSTR	Lithium Reacta-Link Emergency 3 Hour
LA3RC	Lithium Reacta-Control Emergency 3 Hour
CB	Central Battery, Please Specify 50V, 110V or 230V when Ordering

## MISCELLANEOUS



Code	Description
C**	Select Colour Temperature and Rendering: C83, C84, C85, C865, C93, C94
LSF	Low Smoke Zero Halogen
4TW	4 Pole 2.5mm <sup>2</sup> Wiring Loom c/w Male/Female Connectors
6TW	6 Pole 2.5mm <sup>2</sup> Wiring Loom c/w Male/Female Connectors
9TW	9 Pole 2.5mm <sup>2</sup> Wiring Loom c/w Male/Female Connectors
SRLC 4P 5M START	4 Pole 5m 2.5mm <sup>2</sup> Starter Lead
SRLC 6P 5M START	6 Pole 5m 2.5mm <sup>2</sup> Starter Lead
SRLC 9P 5M START	9 Pole 5m 2.5mm <sup>2</sup> Starter Lead
SRLC ST ER KIT	Pair of Finishing Endcaps
SRLC JOINING KIT	Joining Kit

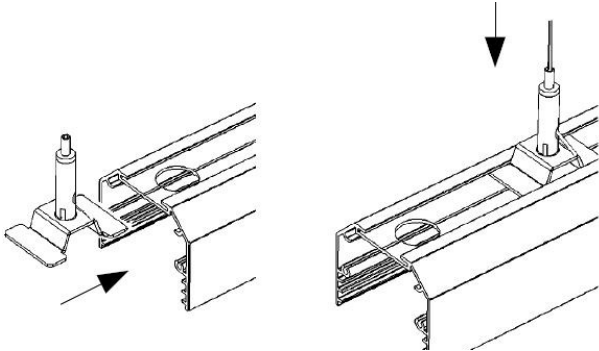
220-240V / 50-60Hz  
IP20



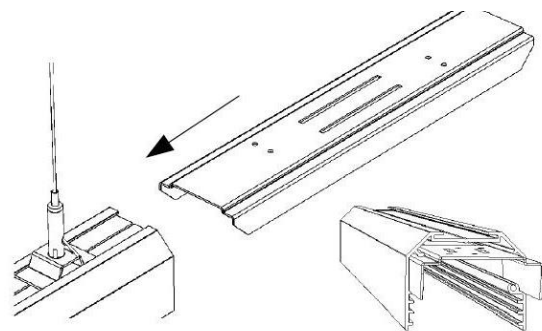
**WARNING:** Luminaire must be earthed. Risk of electric shock from LED boards if operated with cover removed. Installation / operation outside of luminaires intended scope invalidates warranty. Suitable only for domestic / light industrial / industrial applications within the scope of EN55015. Tested to compliance with BSEN 60598: specification for general requirements and tests. Must be installed by a suitably qualified person in accordance with all relevant legislation. Ambient operating temperature of 0°C to 25°C. If maximum operating temperature is exceeded luminaire will automatically dim / switch off. Terminal blocks are rated to 16A unless stated otherwise. The light source contained in this luminaire shall only be replaced by the manufacturer or his service agent or a similar qualified person. **LUMINAIRES WITH EMERGENCY PACK:** When supply is isolated battery output terminals may be live if battery is connected. Isolate mains and battery before servicing. Emergency luminaires require unswitched live connection taken from same phase as switched supply. When unswitched supply is connected status indicator illuminates green, when unswitched supply is disconnected indicator extinguishes and luminaire operates in emergency mode. 24 hour charge period required before undertaking full discharge test. Emergency test sheets provided should be used to record all emergency tests. Batteries should be replaced when 3 hour duration is not met. Excessive switching of permanent live may result in premature battery failure. Battery electrolyte can be harmful to eyes / open wounds, do not puncture, if electrolyte touches skin / eyes flush with water. Do not incinerate batteries.

<b>Terminal Labelling:</b>	
<b>Power</b>	
L1	Switched Live
E	Earth
N	Neutral
<b>Emergency</b>	
L2	Unswitched Live
DA/AT3	DALI Autotest
DA/AT3	DALI Autotest
<b>Dimming</b>	
-D1/DA	Analogue/DSI/DALI
+D2/DA	Analogue/DSI/DALI
L3	Switch Dim / Corridor Function

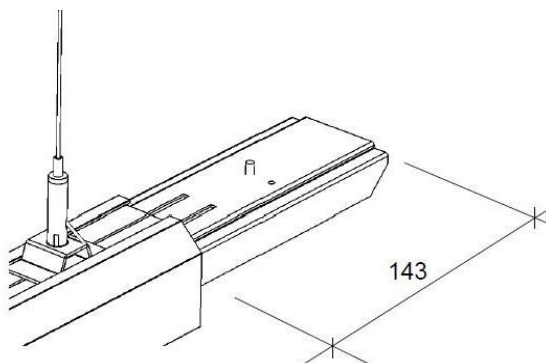
1.



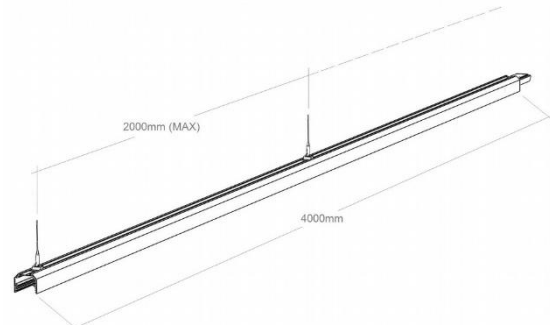
2.



3.



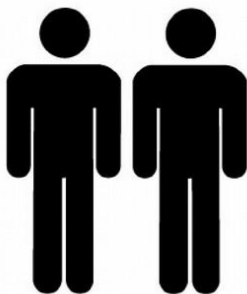
4.



Each 4m length must have at least 2x suspension points.

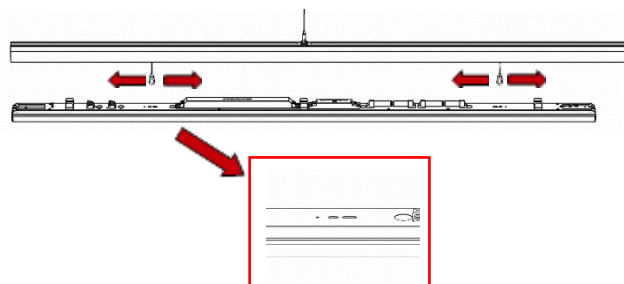
Ensure suspension centres DO NOT exceed 2m.

5.



This is a two person installation. Do not attempt with less than two people.

6.



Slide tethers within trunking so they align with features on the fitting.

## Sequent Installation

<p>7.</p>	<p>8.</p> <p><b>On start of run only</b> – Slide earth bracket into trunking. Tighten central screw until it bites trunking. Connect earth tail into vacant earth on the fitting. (Earth bracket with lead supplied separately!)</p>
<p>9.</p> <p>Raise fitting into trunking, ensuring there are no trapped cables and that all spring clips are <b>fully engaged</b>.</p>	<p>10.</p> <p>Take the next fitting - repeat step 1 + 2, then make loom connection. Repeat step 4, folding loom to avoid trapping cables.</p>
<p>11.</p> <p>Check that fittings are touching end to end with <b>no gaps</b>, and ensure fitting is <b>engaged evenly</b> into trunking along its entire length.</p>	<p>12.</p> <p><b>Failure to complete step 6 correctly may result in faulty installation with potential of fittings disengaging from trunking.</b></p> <p><b>Alignment and level is the responsibility of the installer.</b></p>
<p><u>Maintenance</u></p> <ol style="list-style-type: none"> <li>① Disconnect luminaire before undertaking any maintenance or cleaning.</li> <li>② Cleaning should be undertaken on external parts of the luminaire only using a slightly damp lint free cloth.</li> <li>③ To access LED circuits use a pan pozi screwdriver to remove endcap, then slide diffuser out.</li> <li>④ Use a pan pozi screwdriver to remove components.</li> <li>⑤ Please contact Dextra for assistance with spare component supply.</li> </ol>	