

PRODUCT SPECIFICATION

RUNWAY CURVE



INTRODUCTION

Where lighting must fulfil both architectural and practical purposes the Runway Curve Surface Suspended provides a slim lit effect with curved decorative ends available in three colour options, black, grey and white. The Runway Curve is available in lengths up to 4M lengths with a single housing for a seamless effect and offers a wide range of lumen outputs, bi-directional variants as well as dimming, wireless, white tunable, sensor controlled and integral lithium emergency options.

CUK CE IP20 TM21: L90>60K HOURS / L80>90K HOURS 3 STEP MACADAM ELLIPSE

APPLICATION

- › Education
- › Office
- › Retail

SPECIFICATION

CONSTRUCTION

- › Housing: Extruded aluminium
- › Finish: Polyester powder painted BS 00E55 matt white 60% gloss
- › Finish: Polyester powder painted RAL 9006 matt grey
- › Finish: Polyester powder painted RAL 9005 matt black
- › Endcaps: High pressure die cast aluminium
- › Diffuser: 2mm extruded high transmission opal polycarbonate
- › Diffuser: Combined 2mm extruded clear polycarbonate and 2mm microprism anti glare PMMA
- › IP20

PERFORMANCE

- › Part L2 compliant
- › BSEN 12464-1:2011 3000 Candela 65° and UGR 19 compliance
- › 3SCDM Three step Macadams ellipse
- › TM21: L90>60K Hours / L80>90K Hours
- › Up to 141 luminaire lumens per circuit Watt

ENVIRONMENTAL

- › Designed to allow simple replacement of components with commonly available tools in compliance with the Eco Design Directive, please see the installation leaflet for maintenance instructions.
- › All critical components are mounted on a single tray for simple end of life repair or upgrade.
- › Powered by European branded drivers and emergency modules ensuring replacement parts are easily sourced.
- › Every luminaire is labelled with a unique ID number allowing easy identification of spare parts for the lifetime of the product.
- › Contains no single use plastics or polystyrene packaging.
- › Supplied in plain card boxes with paper tape ensuring packaging is easily recycled.
- › Designed to allow simple disassembly for end of life recycling.
- › UK based manufacturing providing local support throughout the product lifetime and minimising transportation miles.

EMERGENCY

- › Available with optional standard, self test and autotest integral emergency with lithium batteries for extended warranty and lifetime.
- › Optional Reacta-Link wireless emergency for automated centralised reporting.
- › Optional Reacta-Control wireless emergency for automated centralised reporting.

CONTROL

- › Optional compatibility with a range of dimming systems including DALI, DSI and Switch Dimming
- › Optional White tunable

- Optional integral Reacta-Link for integration with Reacta-Link wireless installations
- Optional integral Reacta-Control for integration with Reacta-Control wireless installations

INSTALLATION

- Suitable for suspended installation
- Suitable for surface installation

VARIATIONS

- Available with a wide range of colour temperatures and renderings
- Available in a range of housing sizes and lumen outputs
- Available in white, black or grey finishes

IMAGES

PRODUCT IMAGES



Runway Curve - Black



Runway Curve - Black with Sensor



Runway Curve - Grey



Runway Curve - Grey with Sensor



Runway Curve - White

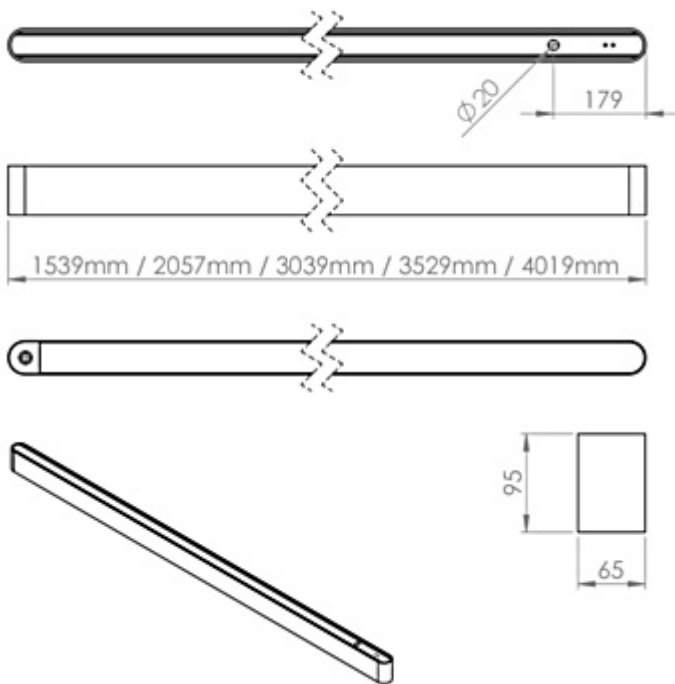


Runway Curve - White with Sensor

TECHNICAL

RUNWAY DESIGN CONSIDERATIONS

- L14, L22 and L29 variants comply with BSEN 12464 3000 candela limit when used with MP diffuser.
- Bi-Directional is only available in 1500mm variants or greater and should only be used when suspended.
- Autotest LA3 emergency and DALI Dimming will use common DALI BUS Cable. LA3 emergency can not be combined with other dimming types.
- White tunable variants come in non standard lumen outputs, please enquire for more details.
- Where luminaire lumen and lumen per watt figures are published these relate to the opal diffuser variants.
- Two suspension kits are required per 1.5M, 2M and 3M luminaire. 3 suspension kits are required per 3.5M and 4M luminaire.
- All Bi-Directional versions provide 75% down light and 25% up light.
- Bi-Directional is not available in 3500mm lengths.
- Runway 2000mm Bi-Directional variants incorporate wider spaces between up-light optics than 1500mm variants so care should be taken when they are mixed in the same area to ensure up-light distribution is even.
- Please ensure one RWYC INSTALL KIT is included per order.



Runway Curve

WARRANTY

At Dextra our commitment to service has been at the forefront throughout our history spanning more than forty years in the UK lighting market. Our service ethos extends beyond design and delivery, we believe supporting your installation throughout the warranty period is equally crucial, whilst the strength and longevity of Dextra Group provides peace of mind that our warranty will be supported throughout.

The Dextra range is supplied with a five year warranty commencing from the date of delivery. During the first three years defects will be repaired on site and the warranty will include both parts and labour. For the final two years drivers, emergency modules, wireless modules, sensors and LED circuits will be supplied free of charge to replace defective components, labour and other associated costs are not included.

Certain ranges and components are subject to exemptions:

- Lithium batteries are provided with a five year warranty. During the first three years defects will be repaired on site and the warranty will include both parts and labour. For the final two years replacement batteries will be supplied free of charge to replace defective components. Five year warranty became effective as of 03/02/25, Lithium emergency luminaires supplied prior to this date are supported with a three year on site warranty only. Labour and other associated costs are not included. Nickel Metal Hydride and Nickel Cadmium batteries are provided with a one year warranty for parts and labour.

- Emergency luminaires including AME LED, EXI LED, EXI2 LED, EXI Track, HBE LED, HBE2 LED, OAT2 LED, OEZ LED and Twinspot with Nickel Metal Hydride batteries are supplied with a one year warranty for parts and labour. Lithium variants of these ranges are supplied with a three year warranty for parts and labour with the exception of the AME2, EXI3, HBE3 and TWS IP65 L7 ranges which are supplied with a one year parts and labour warranty. TWS IP65 L7 in autotest and wireless variants are supplied with the standard three year lithium battery warranty.
- Protec Micro, PTECF7 Fire Rated Downlights, Serenus and the Opus Sconce are provided with a five year replacement luminaire only warranty. Protec FR Fire Rated Downlights are provided with a 2 year replacement luminaire only warranty.
- Controls systems such as standalone sensors, switches, marshalling boxes and cabling are provided with a one year warranty for both parts and labour. DALI control systems are provided with a two year warranty for both parts and labour.
- LEDextra ranges are supplied with a three year parts or replacement luminaire only warranty with the exception of the IMPR RGBW, the Runway RGBW, the MOD RGBW, Tanek RGBW and the DexRing. These five ranges are supplied with our standard five year warranty during which defects within the first three years will be repaired on site and the warranty includes both parts and labour. For the final two years free of charge replacement components only will be supplied to rectify any failures but labour and other associated costs are not included.
- LEDEX ranges are supplied with a three year replacement luminaire only warranty.
- The Decorative Pendant ranges, Bebo, Dene, Nova, Fino and Stix are supplied with a 3 year replacement luminaire only warranty.

All warranties are subject to correct use of the product and will be invalidated by misuse, for example incorrect installation, unsuitable environmental conditions or incorrect maintenance. It is the duty of the customer to ensure that all the fault lies with the luminaire prior to requesting replacement parts or site repairs. In the event that no defect is found with the product our costs for attending site will be recharged to the customer and credit will not be issued against returned products. No consequential losses incurred resulting from any defect with our product will be reimbursed.

Given the nature of LED technology a small percentage of LEDs may fail during the lifetime of a luminaire, this does not cause a reduction in lumen output. As such LED luminaires are only deemed to be faulty for warranty purposes when in excess of ten percent of LEDs have failed in a single luminaire.

On site repair of products under warranty will be undertaken during normal working hours, 9am to 5pm Monday to Friday, and will require unrestricted access to luminaires. Where required Dextra will provide access equipment to carry out repairs at height, should luminaires have been installed in locations where reasonable provision for maintenance access has not been made we reserve the right to supply replacement product only. On site warranty repairs will only be undertaken on the mainland of the UK and Ireland, in all other locations replacement product only will be provided.

If you require any assistance with regards to our products please contact our Customer Services department on 01747 858100.

ORDER CODES

LUMINAIRE

Code	Description	Power	Llm/W
RWYC 1500 L22 MP GY	Runway Curve, 1500mm, 1,589llm, Microprism, Grey, Colour 84	12.0W	132
RWYC 1500 L22 OP GY	Runway Curve, 1500mm, 1,368llm, Opal, Grey, Colour 84	12.0W	114
RWYC 1500 L30 OP GY	Runway Curve, 1500mm, 1,862llm, Opal, Grey, Colour 84	17.2W	108
RWYC 1500 L30 MP GY	Runway Curve, 1500mm, 2,167llm, Microprism, Grey, Colour 84	17.2W	126
RWYC 1500 L45 OP GY	Runway Curve, 1500mm, 2,658llm, Opal, Grey, Colour 84	27.3W	97
RWYC 1500 L45 MP GY	Runway Curve, 1500mm, 3,250llm, Microprism, Grey, Colour 84	27.3W	119
RWYC 1500 L96 OP GY	Runway Curve, 1500mm, 5,671llm, Opal, Colour 84	55.6W	102
RWYC 1500 L96 MP GY	Runway Curve, 1500mm, 6,394llm, Microprism, Colour 84	55.6W	115
RWYC 1500 L127 BD OP GY	Runway Curve, 1500mm, 9,563llm, Opal, Bi-Directional, Colour 84	73.6W	130
RWYC 1500 L127 BD MP GY	Runway Curve, 1500mm, 8,950llm, Microprism, Bi-Directional, Colour 84	73.6W	122
RWYC 1500 L29 BD OP GY	Runway Curve, 1500mm, 2,184llm, Bi-Directional, Opal, Grey, Colour 84	16.3W	134
RWYC 1500 L29 BD MP GY	Runway Curve, 1500mm, 2,043llm, Bi-Directional, Microprism, Grey, Colour 84	16.3W	125
RWYC 1500 L40 BD OP GY	Runway Curve, 1500mm, 3,012llm, Bi-Directional, Opal, Grey, Colour 84	22.2W	136
RWYC 1500 L40 BD MP GY	Runway Curve, 1500mm, 2,819llm, Bi-Directional, Microprism, Grey, Colour 84	22.2W	127
RWYC 1500 L60 BD OP GY	Runway Curve, 1500mm, 4,518llm, Bi-Directional, Opal, Grey, Colour 84	35.5W	127
RWYC 1500 L60 BD MP GY	Runway Curve, 1500mm, 4,228llm, Bi-Directional, Microprism, Grey, Colour 84	35.5W	119
RWYC 2000 L29 OP GY	Runway Curve, 2000mm, 2,284llm, Opal, Grey, Colour 84	16.3W	140
RWYC 2000 L29 MP GY	Runway Curve, 2000mm, 2,095llm, Microprism, Grey, Colour 84	16.3W	126
RWYC 2000 L40 OP GY	Runway Curve, 2000mm, 3,150llm, Opal, Grey, Colour 84	22.2W	142
RWYC 2000 L40 MP GY	Runway Curve, 2000mm, 2,889llm, Microprism, Grey, Colour 84	22.2W	130
RWYC 2000 L60 OP GY	Runway Curve, 2000mm, 4,762llm, Opal, Grey, Colour 84	35.5W	134
RWYC 2000 L60 MP GY	Runway Curve, 2000mm, 4,332llm, Microprism, Grey, Colour 84	35.5W	122
RWYC 2000 L38 BD OP GY	Runway Curve, 2000mm, 2,890llm, Bi-Directional, Opal, Grey, Colour 84	21.3W	136
RWYC 2000 L38 BD MP GY	Runway Curve, 2000mm, 2,692llm, Bi-Directional, Microprism, Grey, Colour 84	21.3W	126
RWYC 2000 L53 BD OP GY	Runway Curve, 2000mm, 4,031llm, Bi-Directional, Opal, Grey, Colour 84	29.6W	136
RWYC 2000 L53 BD MP GY	Runway Curve, 2000mm, 3,755llm, Bi-Directional, Microprism, Grey, Colour 84	29.6W	127
RWYC 2000 L80 BD OP GY	Runway Curve, 2000mm, 6,080llm, Bi-Directional, Opal, Grey, Colour 84	45.1W	135
RWYC 2000 L80 BD MP GY	Runway Curve, 2000mm, 5,667llm, Bi-Directional, Microprism, Grey, Colour 84	45.1W	126
RWYC 3000 L44 MP GY	Runway Curve, 3000mm, 3,038llm, Microprism, Grey, Colour 84		
RWYC 3000 L44 OP GY	Runway Curve, 3000mm, 3,038llm, Opal, Grey, Colour 84		
RWYC 3000 L60 OP GY	Runway Curve, 3000mm, 4,442llm, Opal, Grey, Colour 84		
RWYC 3000 L60 MP GY	Runway Curve, 3000mm, 4,144llm, Microprism, Grey, Colour 84		
RWYC 3000 L90 OP GY	Runway Curve, 3000mm, 6,662llm, Opal, Grey, Colour 84		
RWYC 3000 L90 MP GY	Runway Curve, 3000mm, 6,216llm, Microprism, Grey, Colour 84		
RWYC 3000 L192 OP GY	Runway Curve, 3000mm, 14,208llm, Opal, Colour 84		
RWYC 3000 L192 MP GY	Runway Curve, 3000mm, 13,260llm, Microprism, Colour 84		
RWYC 3000 L254 BD OP GY	Runway Curve, 3000mm, 17,952llm, Opal, Bi-Directional, Colour 84		
RWYC 3000 L254 BD MP GY	Runway Curve, 3000mm, 16,892llm, Microprism, Bi-Directional, Colour 84		
RWYC 3000 L58 BD OP GY	Runway Curve, 3000mm, 4,292llm, Bi-Directional, Opal, Grey, Colour 84		
RWYC 3000 L58 BD MP GY	Runway Curve, 3000mm, 3,858llm, Bi-Directional, Microprism, Grey, Colour 84		
RWYC 3000 L80 BD OP GY	Runway Curve, 3000mm, 5,658llm, Bi-Directional, Opal, Grey, Colour 84		
RWYC 3000 L80 BD MP GY	Runway Curve, 3000mm, 5,320llm, Bi-Directional, Microprism, Grey, Colour 84		
RWYC 3000 L120 BD OP GY	Runway Curve, 3000mm, 8,288llm, Bi-Directional, Opal, Grey, Colour 84		
RWYC 3000 L120 BD MP GY	Runway Curve, 3000mm, 7,980llm, Bi-Directional, Microprism, Grey, Colour 84		
RWYC 3500 L51 MP GY	Runway Curve, 3500mm, 3,544llm, Microprism, Grey, Colour 84		
RWYC 3500 L70 OP GY	Runway Curve, 3500mm, 4,442llm, Opal, Grey, Colour 84		
RWYC 3500 L70 MP GY	Runway Curve, 3500mm, 5,182llm, Microprism, Grey, Colour 84		
RWYC 3500 L105 OP GY	Runway Curve, 3500mm, 7,772llm, Opal, Grey, Colour 84		
RWYC 3500 L105 MP GY	Runway Curve, 3500mm, 7,252llm, Microprism, Grey, Colour 84		
RWYC 3500 L224 OP GY	Runway Curve, 3500mm, 16,576llm, Opal, Colour 84		
RWYC 3500 L224 MP GY	Runway Curve, 3500mm, 15,470llm, Microprism, Colour 84		
RWYC 4000 L58 OP GY	Runway Curve, 4000mm, 4,292llm, Opal, Grey, Colour 84		
RWYC 4000 L58 MP GY	Runway Curve, 4000mm, 4,002llm, Microprism, Grey, Colour 84		
RWYC 4000 L80 OP GY	Runway Curve, 4000mm, 5,920llm, Opal, Grey, Colour 84		
RWYC 4000 L80 MP GY	Runway Curve, 4000mm, 5,520llm, Microprism, Grey, Colour 84		
RWYC 4000 L120 OP GY	Runway Curve, 4000mm, 8,880llm, Opal, Grey, Colour 84		
RWYC 4000 L120 MP GY	Runway Curve, 4000mm, 8,280llm, Microprism, Grey, Colour 84		
RWYC 4000 L76 BD OP GY	Runway Curve, 4000mm, 5,974llm, Bi-Directional, Opal, Grey, Colour 84		
RWYC 4000 L76 BD MP GY	Runway Curve, 4000mm, 5,374llm, Bi-Directional, Microprism, Grey, Colour 84		
RWYC 4000 L106 BD OP GY	Runway Curve, 4000mm, 8,332llm, Bi-Directional, Opal, Grey, Colour 84		
RWYC 4000 L106 BD MP GY	Runway Curve, 4000mm, 7,494llm, Bi-Directional, Microprism, Grey, Colour 84		
RWYC 4000 L160 BD OP GY	Runway Curve, 4000mm, 11,312llm, Bi-Directional, Opal, Grey, Colour 84		
RWYC 4000 L160 BD MP GY	Runway Curve, 4000mm, 10,640llm, Bi-Directional, Microprism, Grey, Colour 84		

Please refer to the Runway Design Consideration notes in the Technical section prior to placing your order. Supplied with white prewired flex as standard, black available on request.

DIMMING

Code	Description
A	DALI Digital Addressable Lighting Interface
S	Switch Dimming
D	DSI Digital Dimming
C	Bi-Level Dimming For Standalone Switched Sensor
WT	White Tunable (Lumen Outputs Vary from Standard)

[Please click here for full details on our white tunable offer.](#)

CONTROL

Code	Description
RLI	Reacta-Link, Wireless Enabled Luminaire
RC	Reacta-Control, Wireless Enabled Luminaire
RCS	Reacta-Control Wireless, Presence & Daylight, 2.5-4M

[Please click here for full details on our wireless controls.](#)

Please refer to the Runway Design Consideration notes in the Technical section prior to placing your order.

EMERGENCY

Code	Description
LE3	Lithium Standard Emergency 3 Hour
LS3	Lithium Selftest Emergency 3 Hour
LA3	Lithium Autotest Emergency 3 Hour
LSTR	Lithium Reacta-Link Emergency 3 Hour
LA3RC	Lithium Reacta-Control Emergency 3 Hour

Please refer to the Runway Design Consideration notes in the Technical section prior to placing your order.

MISCELLANEOUS

Code	Description
C**	Select Colour Temperature and Rendering: C83, C84, C85, C865, C93, C94
WH	White Finish
BL	Black Finish
GY	Grey Finish
RWY SMK	Runway Surface Mount Kit
SUSP RWY 3M BF X1	Runway 3M suspension Kit One Drop
LSF	Low Smoke Zero Halogen
RWYC INSTALL KIT	Runway Curve Installation Kit

Please refer to the Runway Design Consideration notes in the Technical section prior to placing your order.

Runway Curve Installation

220-240V / 50-60Hz
IP20

Terminal Labelling:

Power
L1 Switched Live
E Earth
N Neutral

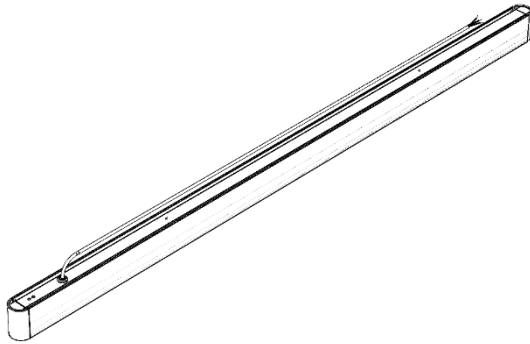
Emergency
L2 Unswitched Live
DA/AT3 DALI Autotest
DA/AT3 DALI Autotest

Dimming
-/D1/DA Analogue/DSI/DALI
+/D2/DA Analogue/DSI/DALI
L3 Switch Dim / Corridor Functi



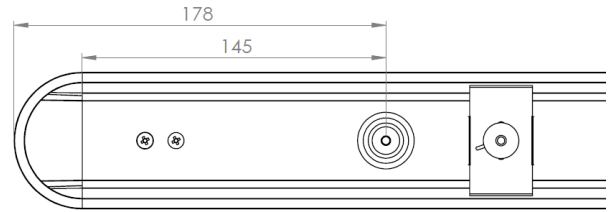
WARNING: Luminaire must be earthed. Risk of electric shock from LED boards if operated with cover removed. Installation / operation outside of luminaires intended scope invalidates warranty. Suitable only for domestic / light industrial / industrial applications within the scope of EN55015. Tested to compliance with BSEN 60598: specification for general requirements and tests. Must be installed by a suitably qualified person in accordance with all relevant legislation. Ambient operating temperature of 0°C to 25°C. If maximum operating temperature is exceeded luminaire will automatically dim / switch off. Terminal blocks are rated to 16A unless stated otherwise. The light source contained in this luminaire shall only be replaced by the manufacturer or his service agent or a similar qualified person. **LUMINAIRES WITH EMERGENCY PACK:** When supply is isolated battery output terminals may be live if battery is connected. Isolate mains and battery before servicing. Emergency luminaires require unswitched live connection taken from same phase as switched supply. When unswitched supply is connected status indicator illuminates green, when unswitched supply is disconnected indicator extinguishes and luminaire operates in emergency mode. 24 hour charge period required before undertaking full discharge test. Emergency test sheets provided should be used to record all emergency tests. Batteries should be replaced when 3 hour duration is not met. Excessive switching of permanent live may result in premature battery failure. Battery electrolyte can be harmful to eyes / open wounds, do not puncture, if electrolyte touches skin / eyes flush with water. Do not incinerate batteries.

1.



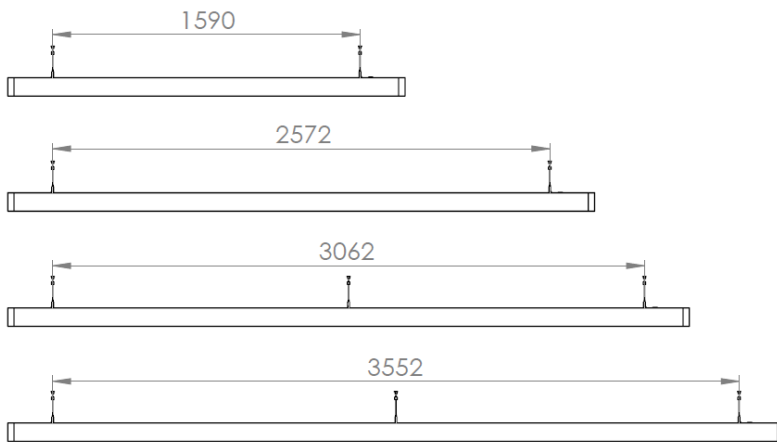
Unpack the fitting. The luminaire will arrive as a complete unit, no disassembly required.

2.



The cable entry point is the same across all variants.

3.



Suspension points:

2M – Overall length 2055mm – 2 x suspension points required.

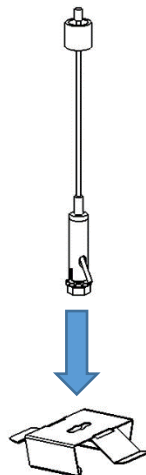
3M – Overall length 3037mm - 2 x suspension points required.

3.5M – Overall length 3527mm - 3 x suspension points required.

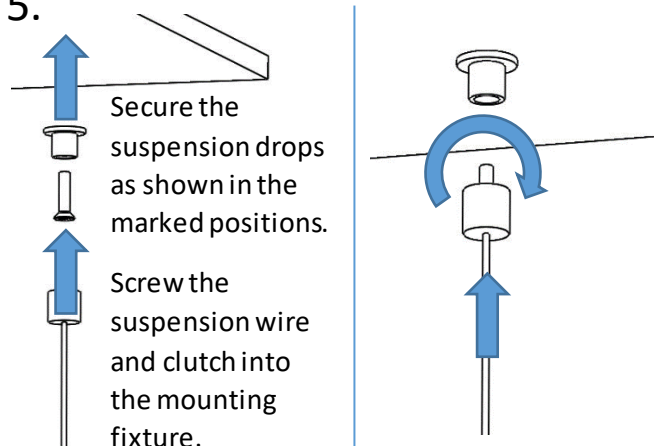
4M - Overall length 4017mm - 3 x suspension points required.

4.

Attach the suspension wire to the spring brackets ready to be attached to the trunking.



5.

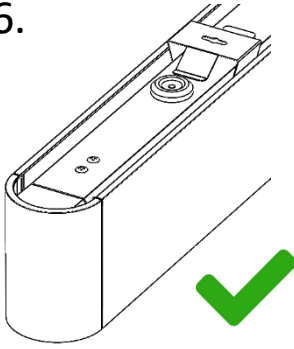


Secure the suspension drops as shown in the marked positions.

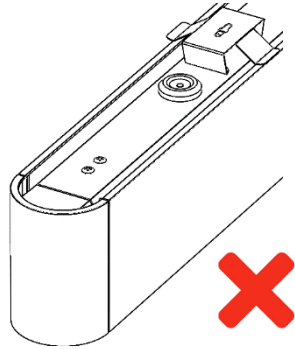
Screw the suspension wire and clutch into the mounting fixture.

Runway Curve Installation

6.

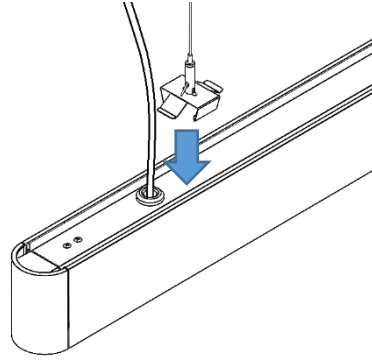


Correct orientation



Incorrect orientation

7.

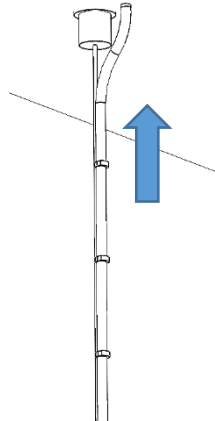


Snap the spring brackets onto the trunking and adjust them until the suspension wires hang vertically.

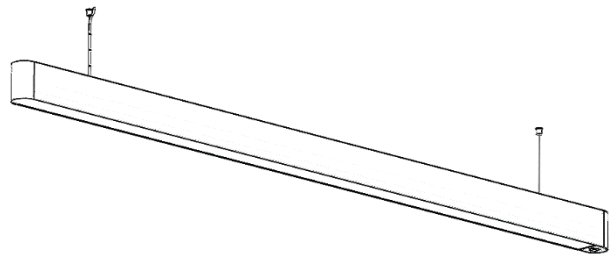
8.

Run the lead adjacent to the suspension wire. Cable tie the two together.

Establish a connection to the luminaire.



9.



Installation is complete.

Maintenance

- 1 Disconnect luminaire before undertaking any maintenance or cleaning.
- 2 Cleaning should be undertaken on external parts of the luminaire only using a slightly damp lint free cloth.
- 3 Use a flat headed screwdriver to remove the diffuser.
- 4 Disconnect starter loom.
- 5 Use the tools provided in the 'RWYC INSTALL KIT'. Insert the tool into the slots on the tray and pull down. Drop it down onto its tethers.
- 6 Remove plastic rivets to separate the two gear trays.
- 7 Use a pan pozi screwdriver to remove components.
- 8 Please contact Dextra for assistance with spare component supply.

