



PRODUCT SPECIFICATION

RUBIX SUSPENDED BI-DIRECTIONAL
CONTINUOUS



INTRODUCTION

Utilising the same optic design as the recessed and surface family the Rubix Suspended offers glare compliance to BSEN12464 and UGR19 or below ensuring it can be used in applications such as offices and classrooms whilst matching with the Rubix family allowing a common luminaire design to be used across entire installations. In common with other members of the Rubix family the optic frame is available in a range of colours and the housing can be supplied in either white or black allowing the appearance to be tailored to suit any corporate theme.

With bi-directional output as standard the Rubix Suspended Bi-Directional Continuous ensures that both the working area and the ceiling is effectively lit providing an attractive space. A balanced design also allows for a two point suspension that is both discreet and quick to install.

With both 6 cell 1500mm options, 4 cell 1200mm and continuous run options the performance and appearance of the Rubix is easily customised to a wide range of applications. Continuous run variants are supplied complete with a 6 pole through wiring loom for quick and easy plug and socket connection and are also available with a range of blind units.

As with all members of the Rubix family the Rubix Suspended Bi-Directional Continuous is available with a range of sensors and integral lithium emergency and dimming variants as well as a range of lumen outputs ensuring that the performance and function can be tailored to suit your application. We offer a range of wireless control systems providing localised grouping and control as well as comprehensive wireless solutions allowing both standard and emergency luminaires to be centrally monitored.



CE IP20 TM21: L90>60K HOURS / L80>90K HOURS 3 STEP MACADAM ELLIPSE

APPLICATION

- › Commercial / Offices
- › Education

SPECIFICATION

CONSTRUCTION

- › Housing: 0.7mm CR4 steel
- › Finish: Polyester powder painted BS 00E55 matt white 60% gloss
- › Finish: Polyester powder painted RAL 9006 matt grey
- › Finish: Polyester powder painted RAL 9005 matt black
- › Endcaps: High pressure die cast aluminium
- › Diffuser: Injection moulded high transmission opal polycarbonate cell with miro silver aluminium inserts and injection moulded clip on bezel
- › IP20
- › Through Wire variants supplied with 6 pole 1.5mm loom.

PERFORMANCE

- › Part L2 compliant
- › BSEN 12464-1:2011 3000 Candela 65° and UGR 19 compliance
- › 3SCDM Three step Macadams ellipse
- › TM21: L90>60K Hours / L80>90K Hours
- › Bi-Directional 50% up 50% down
- › Up to 127 luminaire lumens per circuit Watt.

ENVIRONMENTAL

- › Designed to allow simple replacement of components with commonly available tools in compliance with the Eco Design Directive, please see the installation leaflet for maintenance instructions.
- › Powered by European branded drivers and emergency modules ensuring replacement parts are easily sourced.
- › Every luminaire is labelled with a unique ID number allowing easy identification of spare parts for the lifetime of the product.
- › Contains no single use plastics or polystyrene packaging.
- › Supplied in plain card boxes with paper tape ensuring packaging is easily recycled.
- › Designed to allow simple disassembly for end of life recycling.

- › UK based manufacturing providing local support throughout the product lifetime and minimising transportation miles.

EMERGENCY

- › Available with optional standard, self test and autotest integral emergency with lithium batteries for extended warranty and lifetime.
- › Optional Reacta-Link wireless emergency for automated centralised reporting.
- › Optional Reacta-Control wireless emergency for automated centralised reporting.
- › Optional central battery changeover relay

CONTROL

- › Optional compatibility with a range of dimming systems including DALI, DSI and Switch Dimming
- › Optional Integral R44 presence and daylight sensor
- › Optional Integral Reacta-Air wireless presence and daylight regulations sensor
- › Optional integral Reacta-Link for integration with Reacta-Link wireless installations
- › Optional integral Reacta-Control for integration with Reacta-Control wireless installations

INSTALLATION

- › Suitable for suspended installation
- › Suitable for two point suspension
- › Available with adjustable corners
- › Through Wire variants are supplied with 6 pole 1.5mm loom
- › Suitable for two point installation.
- › Available with adjustable corner sections allowing continuous runs to be customised to suit room layout.

VARIATIONS

- › Available with a wide range of colour temperatures and renderings
- › Available in a range of housing sizes and lumen outputs
- › Available in white, black or grey finishes
- › Available with a range of cell colours

IMAGES

PRODUCT IMAGES



Rubix Suspended Bi-Directional Continuous



Adjustable Corner

PROJECT IMAGES

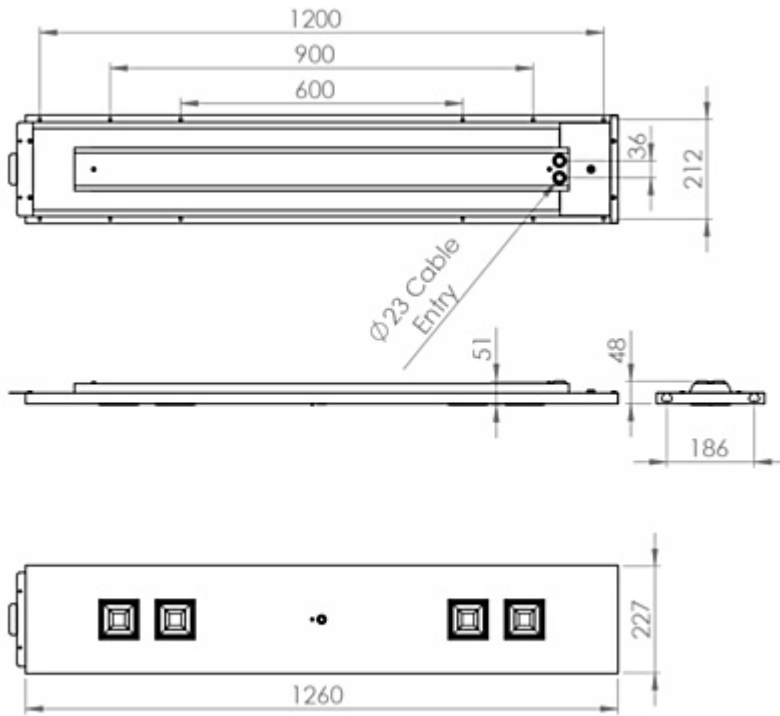


TECHNICAL

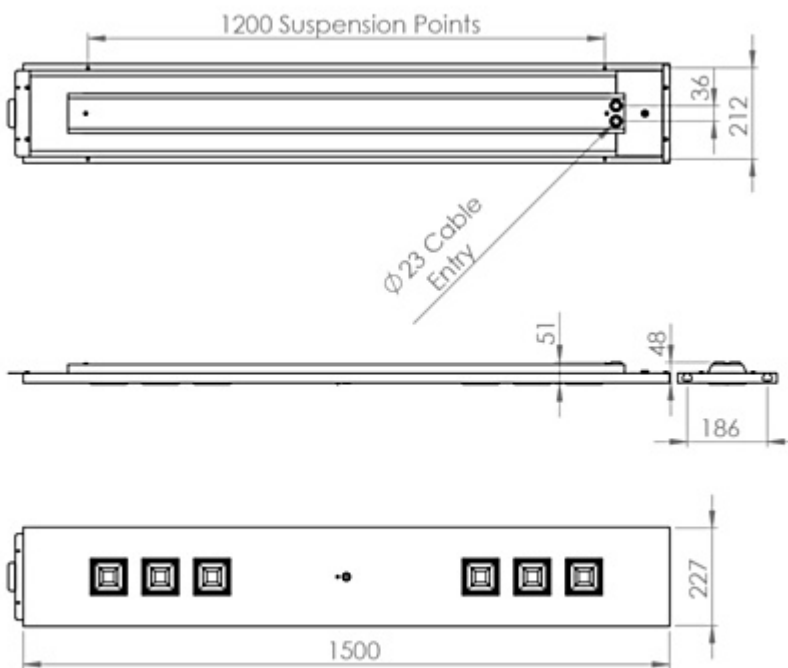
RUBIX BI-DIRECTIONAL DESIGN CONSIDERATIONS

- Standalone versions supplied complete with 3M suspension kit.
- Suspension kits sold separately for continuous run versions.
- Autotest LA3 emergency and DALI Dimming will use common DALI BUS Cable. LA3 emergency can not be combined with other dimming types.
- Bespoke cell colours available on request subject to quantity and extended delivery times.
- Bi-Directional versions provide 50% down light and 50% up light.
- Integral sensors are only available in the luminaire, one required per luminaire.

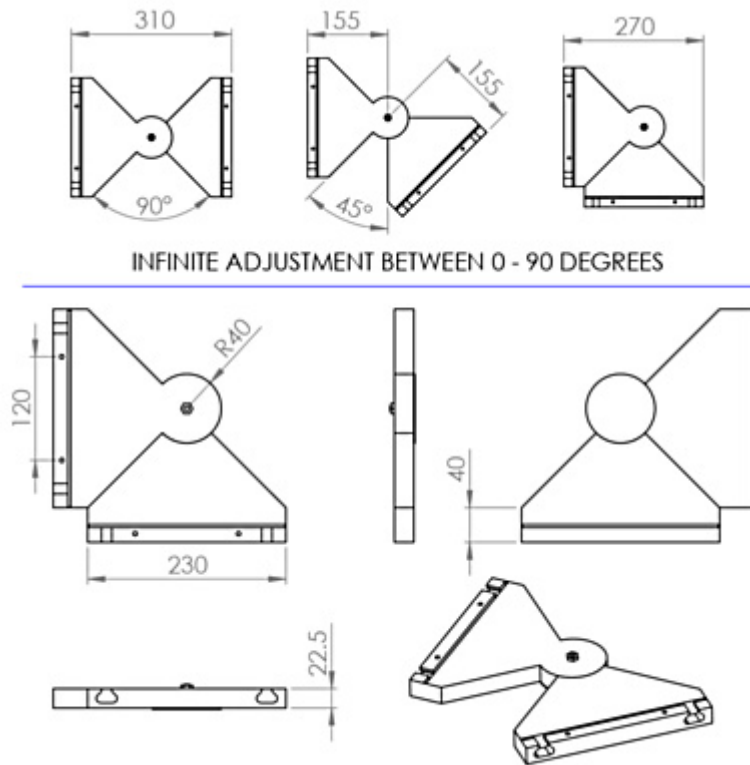
>



Rubix Suspended Through Wire 1200mm



Rubix Suspended Through Wire 1500mm



Rubix Suspended Adjustable Corner

WARRANTY

At Dextra our commitment to service has been at the forefront throughout our history spanning more than forty years in the UK lighting market. Our service ethos extends beyond design and delivery, we believe supporting your installation throughout the warranty period is equally crucial, whilst the strength and longevity of Dextra Group provides peace of mind that our warranty will be supported throughout.

The Dextra range is supplied with a five year warranty commencing from the date of delivery. During the first three years defects will be repaired on site and the warranty will include both parts and labour. For the final two years drivers, emergency modules, wireless modules, sensors and LED circuits will be supplied free of charge to replace defective components, labour and other associated costs are not included.

Certain ranges and components are subject to exemptions:

- Lithium batteries are provided with a five year warranty. During the first three years defects will be repaired on site and the warranty will include both parts and labour. For the final two years replacement batteries will be supplied free of charge to replace defective components. Five year warranty became effective as of 03/02/25, Lithium emergency luminaires supplied prior to this date are supported with a three year on site warranty only. Labour and other associated costs are not included. Nickel Metal Hydride and Nickel Cadmium batteries are provided with a one year warranty for parts and labour.

- Emergency luminaires including AME LED, EXI LED, EXI2 LED, EXI Track, HBE LED, HBE2 LED, OAT2 LED, OEZ LED and Twinspot with Nickel Metal Hydride batteries are supplied with a one year warranty for parts and labour. Lithium variants of these ranges are supplied with a three year warranty for parts and labour with the exception of the AME2, EXI3, HBE3 and TWS IP65 L7 ranges which are supplied with a one year parts and labour warranty. TWS IP65 L7 in autotest and wireless variants are supplied with the standard three year lithium battery warranty.
- Protec Micro, PTECF7 Fire Rated Downlights, Serenus and the Opus Sconce are provided with a five year replacement luminaire only warranty. Protec FR Fire Rated Downlights are provided with a 2 year replacement luminaire only warranty.
- Controls systems such as standalone sensors, switches, marshalling boxes and cabling are provided with a one year warranty for both parts and labour. DALI control systems are provided with a two year warranty for both parts and labour.
- LEDextra ranges are supplied with a three year parts or replacement luminaire only warranty with the exception of the IMPR RGBW, the Runway RGBW, the MOD RGBW, Tanek RGBW and the DexRing. These five ranges are supplied with our standard five year warranty during which defects within the first three years will be repaired on site and the warranty includes both parts and labour. For the final two years free of charge replacement components only will be supplied to rectify any failures but labour and other associated costs are not included.
- LEDEX ranges are supplied with a three year replacement luminaire only warranty.
- The Decorative Pendant ranges, Bebo, Dene, Nova, Fino and Stix are supplied with a 3 year replacement luminaire only warranty.

All warranties are subject to correct use of the product and will be invalidated by misuse, for example incorrect installation, unsuitable environmental conditions or incorrect maintenance. It is the duty of the customer to ensure that all the fault lies with the luminaire prior to requesting replacement parts or site repairs. In the event that no defect is found with the product our costs for attending site will be recharged to the customer and credit will not be issued against returned products. No consequential losses incurred resulting from any defect with our product will be reimbursed.

Given the nature of LED technology a small percentage of LEDs may fail during the lifetime of a luminaire, this does not cause a reduction in lumen output. As such LED luminaires are only deemed to be faulty for warranty purposes when in excess of ten percent of LEDs have failed in a single luminaire.

On site repair of products under warranty will be undertaken during normal working hours, 9am to 5pm Monday to Friday, and will require unrestricted access to luminaires. Where required Dextra will provide access equipment to carry out repairs at height, should luminaires have been installed in locations where reasonable provision for maintenance access has not been made we reserve the right to supply replacement product only. On site warranty repairs will only be undertaken on the mainland of the UK and Ireland, in all other locations replacement product only will be provided.

If you require any assistance with regards to our products please contact our Customer Services department on 01747 858100.

ORDER CODES

LUMINAIRE

Rubix Suspended Bi-Directional Continuous Run

Code	Description	Power	Llm/W
RBXBD L40 ST	Rubix Start, 1200mm, Bi-Directional, 3,140lm, 4 Opal Cell, Colour 84	24.7W	127
RBXBD L40 TW	Rubix Through, 1200mm, Bi-Directional, 3,140lm, 4 Opal Cell, Colour 84	24.7W	127
RBXBD L40 ER	Rubix End, 1200mm, Bi-Directional, 3,140lm, 4 Opal Cell, Colour 84	24.7W	127
RBXBD L60 ST	Rubix Start, 1500mm, Bi-Directional, 5,010lm, 6 Opal Cell, Colour 84	40.5W	123
RBXBD L60 TW	Rubix Through, 1500mm, Bi-Directional, 5,010lm, 6 Opal Cell, Colour 84	40.5W	123
RBXBD L60 ER	Rubix End, 1500mm, Bi-Directional, 5,010lm, 6 Opal Cell, Colour 84	40.5W	123

OPTIC

Code	Description
BLK	Black Cell
BLE	Blue Cell
ORA	Orange Cell
RED	Red Cell

Please refer to the Rubix Bi-Directional Design Consideration notes in the Technical section prior to placing your order.

DIMMING

Code	Description
A	DALI Digital Addressable Lighting Interface
S	Switch Dimming
D	DSI Digital Dimming
H	HFR Analogue 1-10v
C	Bi-Level Dimming For Standalone Switched Sensor

Please refer to the Rubix Bi-Directional Design Consideration notes in the Technical section prior to placing your order.

CONTROL

Code	Description
R44	Reacta 44, Presence & Daylight, 2.5-7M
RAS	Reacta-Air Bluetooth, Wireless, Presence & Daylight, 2.5-3M
RLI	Reacta-Link, Wireless Enabled Luminaire
RLS	Reacta-Link Wireless, Presence & Daylight, 2.5M-5M
RC	Reacta-Control, Wireless Enabled Luminaire
RCS	Reacta-Control Wireless, Presence & Daylight, 2.5-4M

Please click [here](#) for full details on our wireless controls.

Please refer to the Rubix Bi-Directional Design Consideration notes in the Technical section prior to placing your order.

EMERGENCY

Code	Description
LE3	Lithium Standard Emergency 3 Hour
LS3	Lithium Selftest Emergency 3 Hour
LA3	Lithium Autotest Emergency 3 Hour
LSTR	Lithium Reacta-Link Emergency 3 Hour
LA3RC	Lithium Reacta-Control Emergency 3 Hour
CB	Central Battery, Please Specify 50V, 110V or 230V when Ordering

Please refer to the Rubix Bi-Directional Design Consideration notes in the Technical section prior to placing your order.

MISCELLANEOUS

Code	Description
C**	Select Colour Temperature and Rendering: C83, C84, C85, C865, C93, C94
BL	Black Finish
GY	Grey Finish
SUSP RBX SIR ELL 3M BF X2	3M Suspension Kit
LSF	Low Smoke Zero Halogen
RBXBD COR TW	Rubix adjustable corner
RBXBD BLIND 300 TW	Rubix Continuous Run, 300mm 6 pole through wire blind unit
RBXBD BLIND 600 TW	Rubix Continuous Run, 600mm 6 pole through wire blind unit
RBXBD BLIND 1000 TW	Rubix Continuous Run, 1000mm 6 pole through wire blind unit
RBXBD BLIND 1260 TW	Rubix Continuous Run, 1260mm, 6 pole through wire blind unit
RBXBD BLIND 1500 TW	Rubix Continuous Run, 1500mm, 6 pole through wire blind unit
RBXBD BLIND 1800 TW	Rubix Continuous Run, 1800mm 6 pole through wire blind unit
RBXBD EC	Rubix End Cap (please specify one set per run of luminaires).
RBXBD JOINER	Rubix Joining Kit (Used mid run where new power feeds are required)

Please refer to the Rubix Bi-Directional Design Consideration notes in the Technical section prior to placing your order.

Rubix Suspended Installation

220-240V / 50-60Hz
IP20

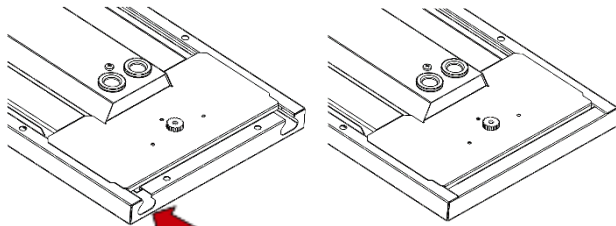


Terminal Labelling:

Power	
L1	Switched Live
E	Earth
N	Neutral
Emergency	
L2	Unswitched Live
DA/AT3	DALI Autotest
DA/AT3	DALI Autotest
Dimming	
-D1/DA	Analogue/DSI/DALI
+D2/DA	Analogue/DSI/DALI
L3	Switch Dim / Corridor Function

WARNING: Luminaire must be earthed. Risk of electric shock from LED boards if operated with cover removed. Installation / operation outside of luminaires intended scope invalidates warranty. Suitable only for domestic / light industrial / industrial applications within the scope of EN55015. Tested to compliance with BSEN 60598: specification for general requirements and tests. Must be installed by a suitably qualified person in accordance with all relevant legislation. Ambient operating temperature of 0°C to 25°C. If maximum operating temperature is exceeded luminaire will automatically dim / switch off. Terminal blocks are rated to 16A unless stated otherwise. The light source contained in this luminaire shall only be replaced by the manufacturer or his service agent or a similar qualified person. **LUMINAIRES WITH EMERGENCY PACK:** When supply is isolated battery output terminals may be live if battery is connected. Isolate mains and battery before servicing. Emergency luminaires require unswitched live connection taken from same phase as switched supply. When unswitched supply is connected status indicator illuminates green, when unswitched supply is disconnected indicator extinguishes and luminaire operates in emergency mode. 24 hour charge period required before undertaking full discharge test. Emergency test sheets provided should be used to record all emergency tests. Batteries should be replaced when 3 hour duration is not met. Excessive switching of permanent live may result in premature battery failure. Battery electrolyte can be harmful to eyes / open wounds, do not puncture, if electrolyte touches skin / eyes flush with water. Do not incinerate batteries.

1.

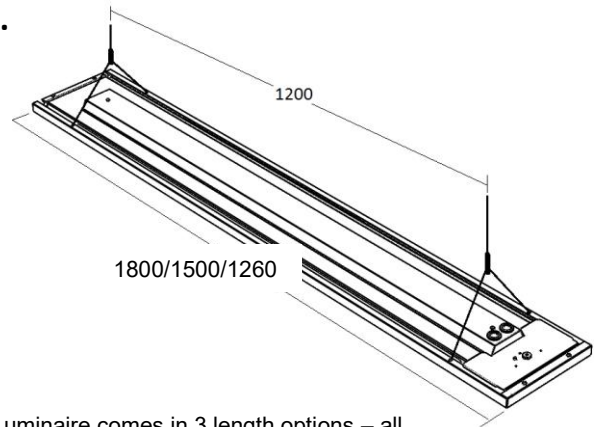


Through-wire
(ST / TW / ER)

Standalone

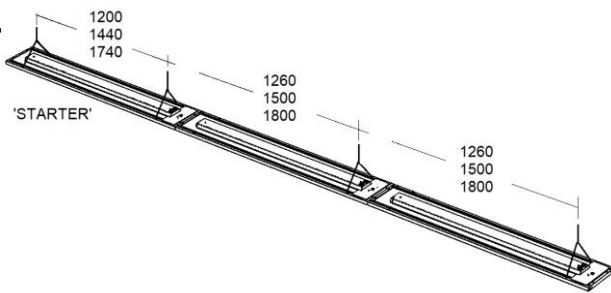
Firstly check fitting type is correct before installation – through-wire versions have cable cut-outs in ends and threaded holes for joining bracket / end plate

2.



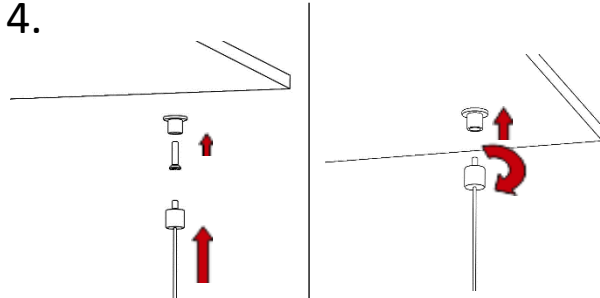
Luminaire comes in 3 length options – all require suspension points at 1200mm

3.



When mounting continuously, STARTER should have x2 suspensions. Subsequent TW fittings require just one... If preferred, each fitting CAN have 2 suspensions fitted (at same centres as STARTER). NOTE, if custom infill pieces are specified, positions of suspensions will be different – always check before installation!!

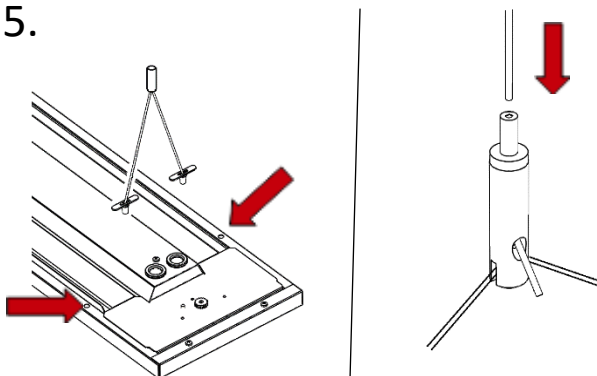
4.



Secure suspension drops as shown in marked positions.

Screw suspension wire and clutch into ceiling fixture.

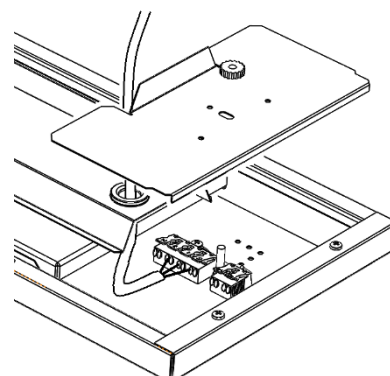
5.



Insert toggles of Y suspension kit in to 7mm holes in luminaire

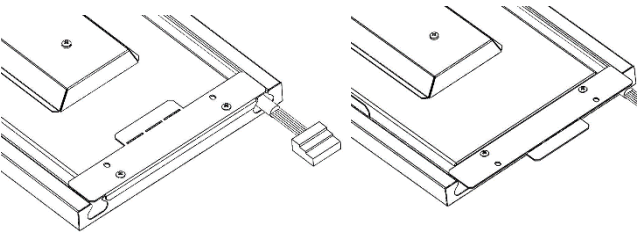
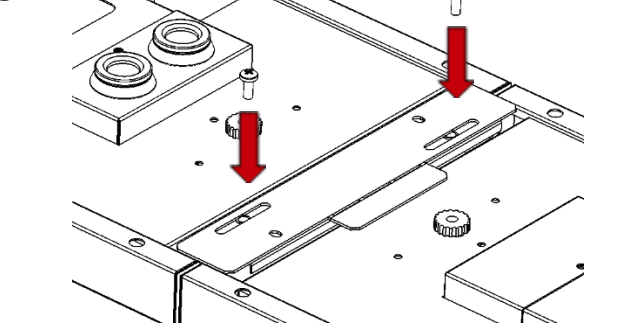
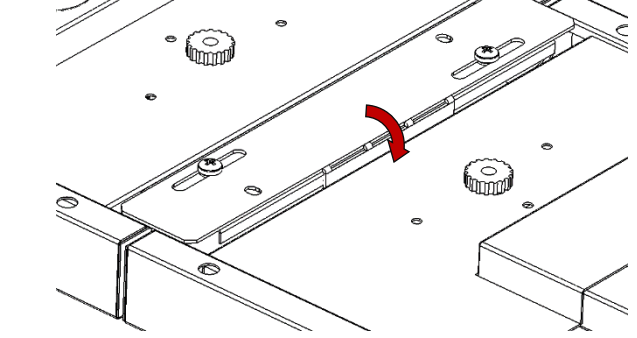
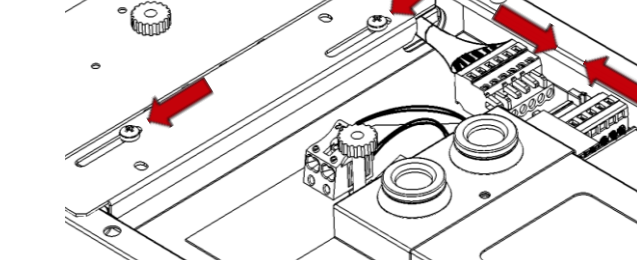
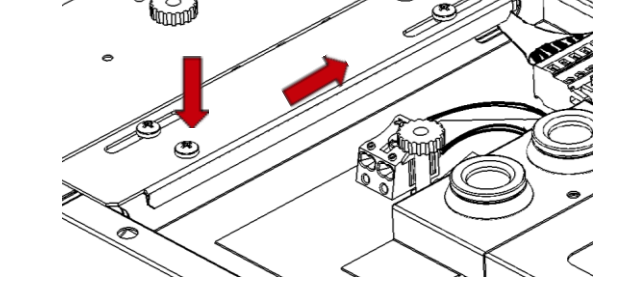
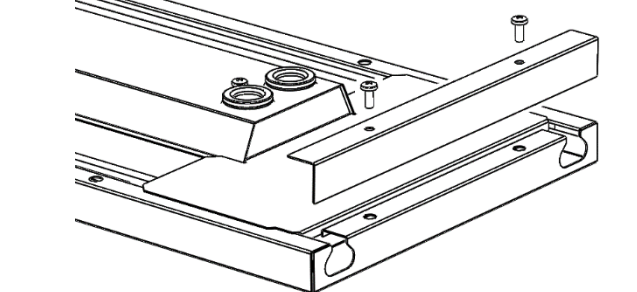
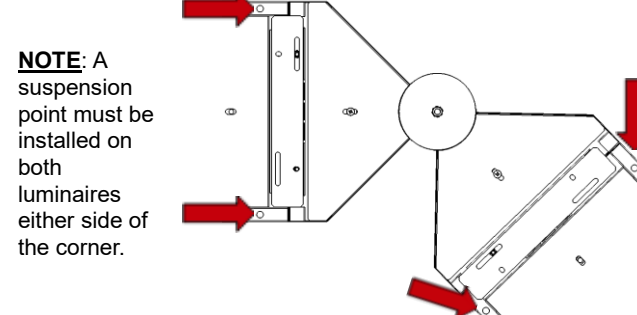
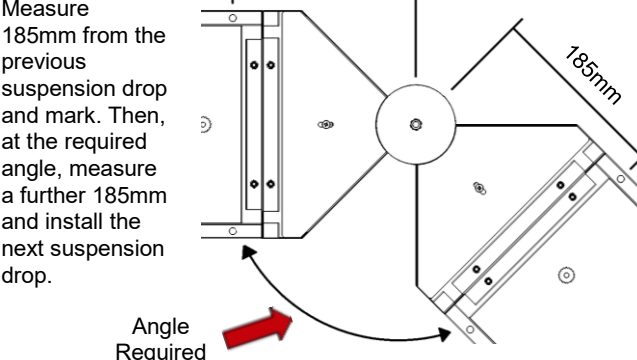
To attach to main wire, depress top of clutch & insert wire

6.



To make electrical connection, loosen thumbnut, remove / lift away cover plate. Pass cable through entry gland and connect to appropriate terminations

Rubix Suspended Installation

<p>7.</p>  <p>Fittings are supplied with joining brackets reversed (1) – ensure both screws are removed / brackets rotated / re-fixed ready to connect to next fitting (2)</p>	<p>8.</p>  <p>When mounting continuously, fit joining brackets as shown using x2 M4x10 screws in the slots.</p>
<p>9.</p>  <p>Bend tab down 90 degrees as shown</p>	<p>10.</p>  <p>Slide the joining bracket to one side and drop the through-wire loom into the next fitting. The through wire cable should be connected and located as shown (6-core as standard).</p>
<p>11.</p>  <p>Once through-wire loom is connected, slide the joining bracket across to cover the loom and secure with remaining x2 M4x10 screws as shown.</p>	<p>12.</p>  <p>At Start and End of runs, fit ER cap (use x2 M4x10 screws (supplied))</p>
<p>13. Corner Installation</p> <p>To install a corner section, first install the luminaires each side of the corner.</p> <p>NOTE: A suspension point must be installed on both luminaires either side of the corner.</p> 	<p>14.</p>  <p>Measure 185mm from the previous suspension drop and mark. Then, at the required angle, measure a further 185mm and install the next suspension drop.</p> <p>Angle Required</p>

Rubix Suspended Installation

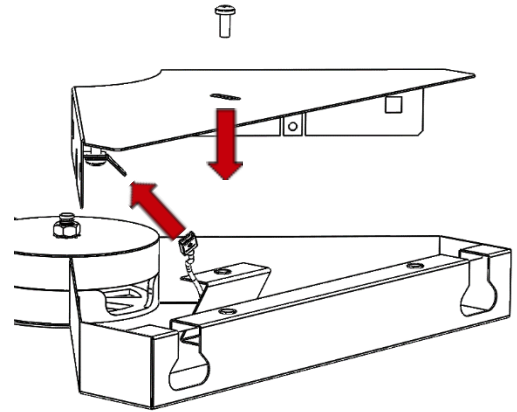
15.

The luminaires can be installed on the suspension drops.

Using the joining brackets provided, secure the corner between the luminaires and connect the internal wiring loom as per steps 8-11 above.

16.

The corner covers are secured using a single screw in the rear. Ensure the earth leads are connected inside the corners.



Maintenance

- 1 Disconnect luminaire before undertaking any maintenance or cleaning.
- 2 Cleaning should be undertaken on external parts of the luminaire only using a slightly damp lint free cloth.
- 3 In an anticlockwise motion turn thumbnuts to release end plates.
- 4 Using a pan pozi screwdriver to remove gear cover. Gear tray will now be removable.
- 5 Use a pan pozi screwdriver to remove components.
- 6 Please contact Dextra for assistance with spare component supply.

