

PRODUCT SPECIFICATION

RETRO-LINE



INTRODUCTION

The Retro-Line has been designed as a retro-fit LED solution to enable retailers to upgrade their existing fluorescent trunking systems without the expense of replacing the trunking itself. The contractor simply removes the old lamps and reflectors before clamping the new LED luminaire over the existing trunking. To minimise installation costs the retro-fit luminaires are manufactured in 2m lengths and are supplied fully assembled out the box with a pre-fitted wiring loom, diffuser optic and fixing clamps. They are available with either a 4 pole, 6 pole or 9 pole 2.5mm square male/female wiring loom allowing for dual switching, emergency and dimming control. The bespoke extruded diffuser optic offers maximum light transmission whilst shielding the point source of the LED chips to minimise glare from below. Available in a variety of lumen outputs and with optional integral lithium emergency this innovative product range incorporates the latest LED technology with cutting edge design to deliver a sustainable retro-fit solution that's tailored to the demands of the modern retail environment.

**UK
CA** CE IP20 TM21: L90>60K HOURS / L80>90K HOURS 3 STEP MACADAM ELLIPSE

APPLICATION

- Hotel / Leisure
- Retail

SPECIFICATION

CONSTRUCTION

- Housing: 0.7mm CR4 steel
- Finish: Polyester powder painted BS 00E55 matt white 60% gloss
- Endcaps: Injection moulded polycarbonate
- Diffuser: 2mm extruded high transmission opal polycarbonate
- IP20

PERFORMANCE

- Part L2 compliant
- 3SCDM Three step Macadams ellipse
- TM21: L90>60K Hours / L80>90K Hours
- Up to 112 luminaire lumens per circuit Watt.

ENVIRONMENTAL

- Designed to allow simple replacement of components with commonly available tools in compliance with the Eco Design Directive, please see the installation leaflet for maintenance instructions.
- Powered by European branded drivers and emergency modules ensuring replacement parts are easily sourced.
- Every luminaire is labelled with a unique ID number allowing easy identification of spare parts for the lifetime of the product.
- Contains no single use plastics or polystyrene packaging.
- Supplied in plain card boxes with paper tape ensuring packaging is easily recycled.
- Designed to allow simple disassembly for end of life recycling.
- UK based manufacturing providing local support throughout the product lifetime and minimising transportation miles.

EMERGENCY

- Available with optional standard, self test and autotest integral emergency with lithium batteries for extended warranty and lifetime.
- Optional Reacta-Link wireless emergency for automated centralised reporting.
- Optional Reacta-Control wireless emergency for automated centralised reporting.

CONTROL

- Optional compatibility with a range of dimming systems including DALI, DSI and Switch Dimming
- Optional integral Reacta-Control for integration with Reacta-Control wireless installations

INSTALLATION

- Retrofit in existing luminaires
- Supplied with 4, 6 or 9 pole 2.5mm loom

VARIATIONS

- Available with a wide range of colour temperatures and renderings
- Available in a range of housing sizes and lumen outputs

IMAGES

PRODUCT IMAGES



Retro-Line



Retro-Line Trunking Bracket



4 pole connector blocks.



6 pole connector blocks.

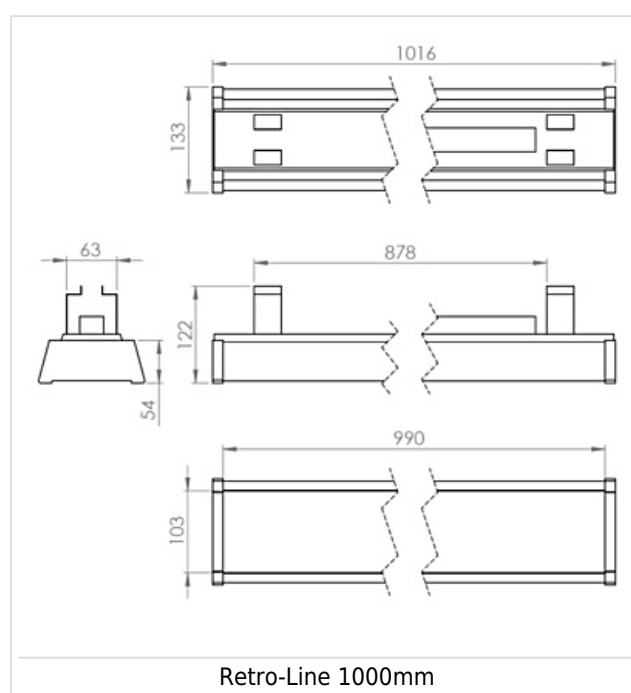
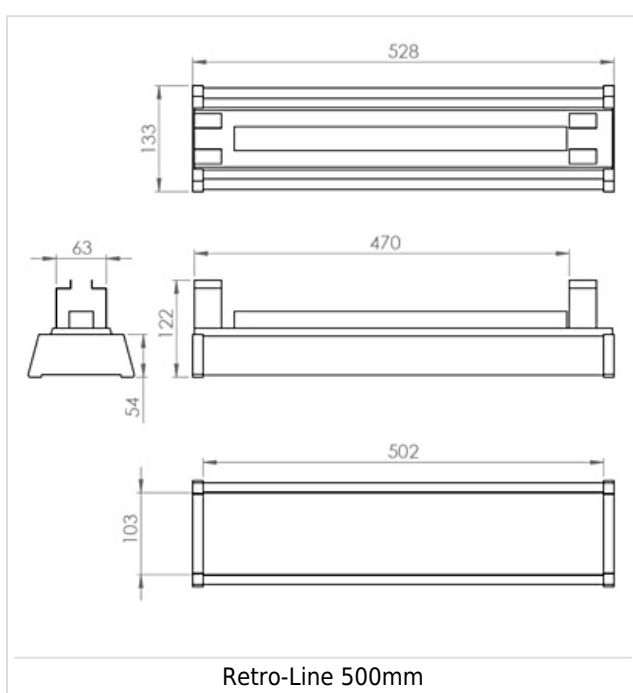


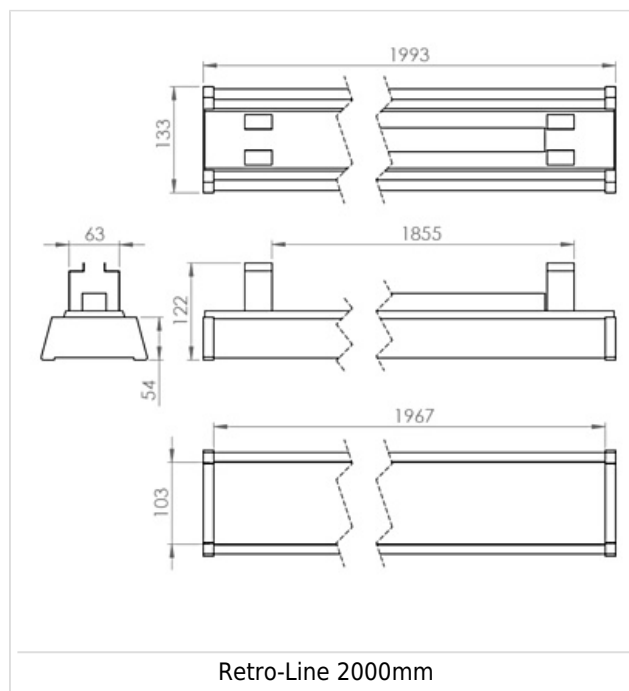
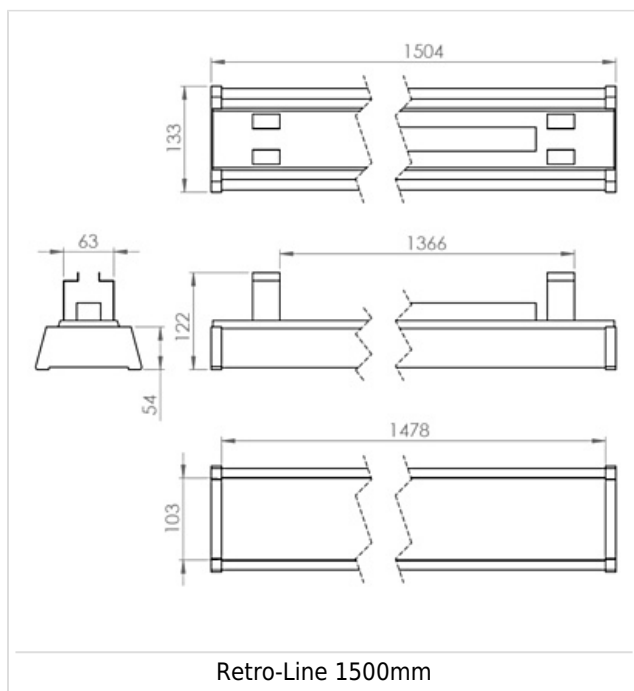
9 pole connector blocks.

PROJECT IMAGES



TECHNICAL





WARRANTY

At Dextra our commitment to service has been at the forefront throughout our history spanning more than forty years in the UK lighting market. Our service ethos extends beyond design and delivery, we believe supporting your installation throughout the warranty period is equally crucial, whilst the strength and longevity of Dextra Group provides peace of mind that our warranty will be supported throughout.

The Dextra range is supplied with a five year warranty commencing from the date of delivery. During the first three years defects will be repaired on site and the warranty will include both parts and labour. For the final two years drivers, emergency modules, wireless modules, sensors and LED circuits will be supplied free of charge to replace defective components, labour and other associated costs are not included.

Certain ranges and components are subject to exemptions:

- Lithium batteries are provided with a three year warranty for parts and labour. Nickel Metal Hydride and Nickel Cadmium batteries are provided with a one year warranty for parts and labour.
- Emergency luminaires including AME LED, EXI LED, EXI2 LED, EXI Track, HBE LED, HBE2 LED, OAT2 LED, OEZ LED and Twinspot with Nickel Metal Hydride batteries are supplied with a one year warranty for parts and labour. Lithium variants of these ranges are supplied with a three year warranty for parts and labour with the exception of the AME2, EXI3, HBE3 and TWS IP65 L7 ranges which are supplied with a one year parts and labour warranty. TWS IP65 L7 in autotest and wireless variants are supplied with the standard three year lithium battery warranty.
- Protec Micro, PTECF7 Fire Rated Downlights, Serenus and the Opus Sconce are provided with a five year replacement luminaire only warranty. Protec FR Fire Rated Downlights are provided with a 2 year replacement luminaire only warranty.
- Controls systems such as standalone sensors, switches, marshalling boxes and cabling are provided with a one year warranty for both parts and labour. DALI control systems are provided with a two year warranty for both parts and labour.

- LEDextra ranges are supplied with a three year parts or replacement luminaire only warranty with the exception of the IMPR RGBW, the Runway RGBW, the MOD RGBW and the Tanek RGBW. These three ranges are supplied with our standard five year warranty during which defects within the first three years will be repaired on site and the warranty includes both parts and labour. For the final two years free of charge replacement components only will be supplied to rectify any failures but labour and other associated costs are not included.
- LEDEX ranges are supplied with a three year replacement luminaire only warranty.
- The Decorative Pendant ranges, Bebo, Dene, Nova, Fino and Stix are supplied with a 3 year replacement luminaire only warranty.

All warranties are subject to correct use of the product and will be invalidated by misuse, for example incorrect installation, unsuitable environmental conditions or incorrect maintenance. It is the duty of the customer to ensure that all the fault lies with the luminaire prior to requesting replacement parts or site repairs. In the event that no defect is found with the product our costs for attending site will be recharged to the customer and credit will not be issued against returned products. No consequential losses incurred resulting from any defect with our product will be reimbursed.

Given the nature of LED technology a small percentage of LEDs may fail during the lifetime of a luminaire, this does not cause a reduction in lumen output. As such LED luminaires are only deemed to be faulty for warranty purposes when in excess of ten percent of LEDs have failed in a single luminaire

On site repair of products under warranty will be undertaken during normal working hours, 9am to 5pm Monday to Friday, and will require unrestricted access to luminaires. Where required Dextra will provide access equipment to carry out repairs at height, should luminaires have been installed in locations where reasonable provision for maintenance access has not been made we reserve the right to supply replacement product only.

If you require any assistance with regards to our products please contact our Customer Services department on 01747 858100.

[DOWNLOAD WARRANTY PDF](#)

ORDER CODES

LUMINAIRE

Continuous Run

Code	Description	Power	Llm/W
RTL 2L70 OP	Retro-Line, 2000mm, 4,712lm, Opal Diffuser, Loom, Brackets	43.2W	109
RTL 2L100 OP	Retro-Line, 2000mm, 6,920lm, Opal Diffuser, Loom, Brackets	61.4W	112
RTL 2L120 OP	Retro-Line, 2000mm, 8,324lm, Opal Diffuser, Loom, Brackets	74.9W	111
RTL 2L147 OP	Retro-Line, 2000mm, 10,106lm, Opal Diffuser, Loom, Brackets	97.1W	104

End of Run

Code	Description	Power	Llm/W
RTL 5L17 OP	Retro-Line, 500mm, 1,700lm, End of Run, Opal Diffuser, Loom, Brackets		
RTL 5L25 OP	Retro-Line, 500mm, 2,500lm, End of Run, Opal Diffuser, Loom, Brackets		
RTL 5L30 OP	Retro-Line, 500mm, 3,000lm, End of Run, Opal Diffuser, Loom, Brackets		
RTL 5L36 OP	Retro-Line, 500mm, 3,675lm, End of Run, Opal Diffuser, Loom, Brackets		
RTL 1L35 OP	Retro-Line, 1000mm, 3,500lm, End of Run, Opal Diffuser, Loom, Brackets		
RTL 1L50 OP	Retro-Line, 1000mm, 5,000lm, End of Run, Opal Diffuser, Loom, Brackets		
RTL 1L60 OP	Retro-Line, 1000mm, 6,000lm, End of Run, Opal Diffuser, Loom, Brackets		
RTL 1L73 OP	Retro-Line, 1000mm, 7,350lm, End of Run, Opal Diffuser, Loom, Brackets		
RTL 15L52 OP	Retro-Line, 1500mm, 3,366lm, End of Run, Opal Diffuser, Loom, Brackets	33.2W	101
RTL 15L75 OP	Retro-Line, 1500mm, 4,734lm, End of Run, Opal Diffuser, Loom, Brackets	47.2W	100
RTL 15L90 OP	Retro-Line, 1500mm, 5,697lm, End of Run, Opal Diffuser, Loom, Brackets	57.4W	99
RTL 15L110 OP	Retro-Line, 1500mm, 6,990lm, End of Run, Opal Diffuser, Loom, Brackets	65.2W	107

DIMMING

Code	Description
A	DALI Digital Addressable Lighting Interface
S	Switch Dimming
D	DSI Digital Dimming
H	HFR Analogue 1-10v

CONTROL

Code	Description
RLI	Reacta-Link, Wireless Enabled Luminaire
RC	Reacta-Control, Wireless Enabled Luminaire

Please click [here](#) for full details on our wireless controls.

EMERGENCY

Code	Description
LE3	Lithium Standard Emergency 3 Hour
LS3	Lithium Selftest Emergency 3 Hour
LA3	Lithium Autotest Emergency 3 Hour
LSTR	Lithium Reacta-Link Emergency 3 Hour
LA3RC	Lithium Reacta-Control Emergency 3 Hour
CB	Central Battery, Please Specify 50V, 110V or 230V when Ordering

MISCELLANEOUS

Code	Description
C**	Select Colour Temperature and Rendering; C83, C84, C85, C865, C93, C94
LSF	Low Smoke Zero Halogen
4TW	4 Pole 2.5mm square Wiring Loom c/w Male/Female Connectors
6TW	6 Pole 2.5mm square Wiring Loom c/w Male/Female Connectors
9TW	9 Pole 2.5mm square Wiring Loom c/w Male/Female Connectors
RTL 4P 5M START	4 Pole 5m 2.5mm square Starter Lead
RTL 6P 5M START	6 Pole 5m 2.5mm square Starter Lead
RTL 9P 5M START	9 Pole 5m 2.5mm square Starter Lead