



PRODUCT SPECIFICATION

PROTEC FIRE RATED DOWNLIGHT



INTRODUCTION

The Protec Fire Rated Downlight offers maximum flexibility from a single luminaire. With a range of snap on bezels in black, white and brushed aluminium supplied complete with each fixture, and adjustable colour temperatures of 3000, 4000 and 5000 kelvin, the Protec Fire Rated Downlight allows a single product to be ordered to suit a wide range of aesthetic requirements, greatly simplifying the ordering and installation process. The Protec is supplied with a phase cut and analogue dimming driver as standard.

The Protec Fire Rated Downlight also offers 90 minute fire rated certification and IP65 dust and water proof protection ensuring suitability for a wide range of applications. Infill rings are available on request for retrofit applications to ensure suitability for existing ceiling cut outs.



PROTEC FIRE RATED DOWNLIGHT - APPLICATION

- › Canteen
- › Commercial / Offices
- › Corridor
- › Display Lighting
- › Education
- › Healthcare / Social Housing
- › Hotel / Leisure
- › Industrial / Manufacturing
- › Office
- › Retail
- › Toilet
- › Transport
- › Warehouse / Storage

PROTEC FIRE RATED DOWNLIGHT - SPECIFICATION

CONSTRUCTION

- › Housing: High pressure die cast aluminium
- › Finish: White, black or brushed chrome bezels
- › Lens: Injection moulded PMMA lens
- › IP65
- › 90 minute fire rating.

PERFORMANCE

- › Part L2 compliant
- › Up to 96 luminaire lumens per circuit Watt.

ENVIRONMENTAL

- › Designed to allow simple replacement of components with commonly available tools in compliance with the Eco Design Directive, please see the installation leaflet for maintenance instructions.
- › Every luminaire is labelled with a unique ID number allowing easy identification of spare parts for the lifetime of the product.
- › UK based manufacturing providing local support throughout the product lifetime and minimising transportation miles.

EMERGENCY

- › Not available with emergency

CONTROL

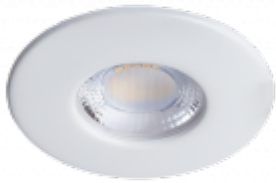
- › HFR 1-10v analogue dimming and phase cut dimming

INSTALLATION

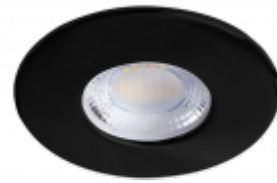
- › Suitable for plasterboard installation
- › Suitable for mineral fibre ceiling tile installation
- › Suitable for metal ceiling tile installation

PROTEC FIRE RATED DOWNLIGHT - IMAGES

PRODUCT IMAGES



Protec Fired Rated Downlight White



Protec Fired Rated Downlight Black



Protec Fired Rated Downlight Brushed Aluminium

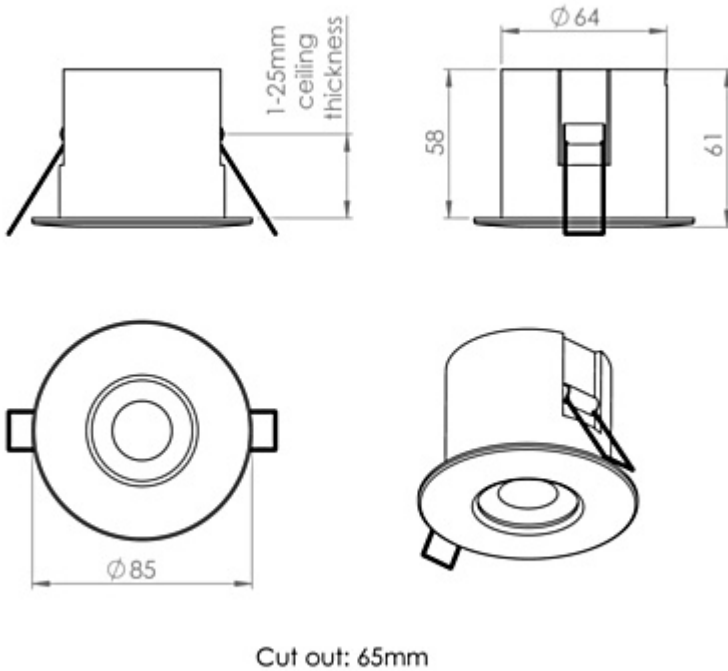
PROJECT IMAGES





PROTEC FIRE RATED DOWNLIGHT - TECHNICAL

>



Protec Fire Rated Downlight

PROTEC FIRE RATED DOWNLIGHT - WARRANTY

At Dextra our commitment to service has been at the forefront throughout our history spanning more than forty years in the UK lighting market. Our service ethos extends beyond design and delivery, we believe supporting your installation

throughout the warranty period is equally crucial, whilst the strength and longevity of Dextra Group provides peace of mind that our warranty will be supported throughout.

The Dextra range is supplied with a five year warranty commencing from the date of delivery. During the first three years defects will be repaired on site and the warranty will include both parts and labour. For the final two years drivers, emergency modules, wireless modules, sensors and LED circuits will be supplied free of charge to replace defective components, labour and other associated costs are not included.

Certain ranges and components are subject to exemptions:

- Lithium batteries are provided with a five year warranty. During the first three years defects will be repaired on site and the warranty will include both parts and labour. For the final two years replacement batteries will be supplied free of charge to replace defective components. Five year warranty became effective as of 03/02/25, Lithium emergency luminaires supplied prior to this date are supported with a three year on site warranty only. Labour and other associated costs are not included. Nickel Metal Hydride and Nickel Cadmium batteries are provided with a one year warranty for parts and labour.
- Emergency luminaires including AME LED, EXI LED, EXI2 LED, EXI Track, HBE LED, HBE2 LED, OAT2 LED, OEZ LED and Twinspot with Nickel Metal Hydride batteries are supplied with a one year warranty for parts and labour. Lithium variants of these ranges are supplied with a three year warranty for parts and labour with the exception of the AME2, EXI3, HBE3 and TWS IP65 L7 ranges which are supplied with a one year parts and labour warranty. TWS IP65 L7 in autotest and wireless variants are supplied with the standard three year lithium battery warranty.
- Protec Micro, PTECF7 Fire Rated Downlights, Serenus and the Opus Sconce are provided with a five year replacement luminaire only warranty. Protec FR Fire Rated Downlights are provided with a 2 year replacement luminaire only warranty.
- Controls systems such as standalone sensors, switches, marshalling boxes and cabling are provided with a one year warranty for both parts and labour. DALI control systems are provided with a two year warranty for both parts and labour.
- LEDextra ranges are supplied with a three year parts or replacement luminaire only warranty with the exception of the IMPR RGBW, the Runway RGBW, the MOD RGBW, Tanek RGBW and the DexRing. These five ranges are supplied with our standard five year warranty during which defects within the first three years will be repaired on site and the warranty includes both parts and labour. For the final two years free of charge replacement components only will be supplied to rectify any failures but labour and other associated costs are not included.
- LEDEX ranges are supplied with a three year replacement luminaire only warranty.
- The Decorative Pendant ranges, Bebo, Dene, Nova, Fino and Stix are supplied with a 3 year replacement luminaire only warranty.

All warranties are subject to correct use of the product and will be invalidated by misuse, for example incorrect installation,

unsuitable environmental conditions or incorrect maintenance. It is the duty of the customer to ensure that all the fault lies with the luminaire prior to requesting replacement parts or site repairs. In the event that no defect is found with the product our costs for attending site will be recharged to the customer and credit will not be issued against returned products. No consequential losses incurred resulting from any defect with our product will be reimbursed.

Given the nature of LED technology a small percentage of LEDs may fail during the lifetime of a luminaire, this does not cause a reduction in lumen output. As such LED luminaires are only deemed to be faulty for warranty purposes when in excess of ten percent of LEDs have failed in a single luminaire.

On site repair of products under warranty will be undertaken during normal working hours, 9am to 5pm Monday to Friday, and will require unrestricted access to luminaires. Where required Dextra will provide access equipment to carry out repairs at height, should luminaires have been installed in locations where reasonable provision for maintenance access has not been made we reserve the right to supply replacement product only. On site warranty repairs will only be undertaken on the mainland of the UK and Ireland, in all other locations replacement product only will be provided.

If you require any assistance with regards to our products please contact our Customer Services department on 01747 858100.

PROTEC FIRE RATED DOWNLIGHT - ORDER CODES

LUMINAIRE

Code	Description	Power Llm/W
PTECF7 COB 60	Protec Fixed, 7W, Fire Rated, Phase Cut and Analogue, 60° Reflector, 3000/4000/5000k Colour Temperatures, 3 Colour Bezels	7.5W 96

DIMMING

Code	Description
A	DALI Digital Addressable Lighting Interface

MISCELLANEOUS

Code	Description
INFILL	Infill Rings to Suit Over Size Ceiling Cut Out, Please Specify Size when Ordering.

PTECF7 COB Installation

220-240V / 50-60Hz
IP65



Terminal Labelling:
Power
L Live
N Neutral

WARNING: Risk of electric shock from LED boards if operated with cover removed. Installation / operation outside of luminaires intended scope invalidates warranty. Suitable only for domestic / light industrial / industrial applications within the scope of EN55015. Tested to compliance with BSEN 60598: specification for general requirements and tests. Must be installed by a suitably qualified person in accordance with all relevant legislation. Ambient operating temperature of 0°C to 25°C. If maximum operating temperature is exceeded luminaire will automatically dim / switch off. Terminal blocks are rated to 16A unless stated otherwise. The light source is non replaceable.

