



PRODUCT SPECIFICATION

OPUS COLUMN SMALL SENSOR



INTRODUCTION

The Opus Column Small Sensor compliments the standard Opus Column range with a smaller housing offering up to 7,000 lumen output. The Opus Column Small Sensor incorporates the same features as the larger product range such as an adjustable spigot allowing for vertical or horizontal mounting, an optional NEMA socket and an automatic disconnect feature when accessing the control gear housing and prewired 10M lead for quick and simple installation and is manufactured with a marine grade paint finish to ensure durability in harsh environments.

The Opus Column Small Sensor incorporates our R11 sensor offering presence detection and a wide range of adjustable parameters such as time delays, dimming levels during absence, dimming rates and optional secondary time delays to turn the luminaire off altogether, all programmed via remote control from ground level. The Opus Column Small is available with two different lens options, wide and open area and lumen outputs ranging from 4,400 up to 7,000. We offer a range of wireless control systems providing localised grouping and control as well as comprehensive wireless solutions allowing both standard and emergency luminaires to be centrally monitored.

CE IP65 TM21: L90>80K HOURS 3 STEP MACADAM ELLIPSE

APPLICATION

- Commercial / Offices
- Education

- › Exterior
 - › Healthcare / Social Housing
 - › Hotel / Leisure
 - › Industrial / Manufacturing
 - › Parking / Exterior
 - › Retail
 - › Transport
-

SPECIFICATION

CONSTRUCTION

- › Housing: High pressure die cast aluminium
- › Finish: Polyester powder painted RAL 9006 matt grey
- › Finish: Manufactured with a marine grade paint finish to ensure durability in harsh environments.
- › Diffuser: Injection moulded clear polycarbonate
- › Lens: Injection moulded polycarbonate lens
- › IP65
- › Adjustable high light levels allows light output to be adjusted after installation to meet the exact requirements of the installation preventing the need to install multiple luminaire variants and maximising energy savings.

PERFORMANCE

- › Part L2 compliant
- › 3SCDM Three step Macadams ellipse
- › TM21: L90 at >80,000 Operating Hours
- › Up to 151 luminaire lumens per circuit Watt.

ENVIRONMENTAL

- › Designed to allow simple replacement of components with commonly available tools in compliance with the Eco Design Directive, please see the installation leaflet for maintenance instructions.
- › Powered by European branded drivers and emergency modules ensuring replacement parts are easily sourced.
- › Every luminaire is labelled with a unique ID number allowing easy identification of spare parts for the lifetime of the product.
- › Contains no single use plastics or polystyrene packaging.
- › Supplied in plain card boxes with paper tape ensuring packaging is easily recycled.
- › Designed to allow simple disassembly for end of life recycling.
- › UK based manufacturing providing local support throughout the product lifetime and minimising transportation miles.

CONTROL

- Optional Integral R11 presence sensor
- Optional integral Reacta-Link for integration with Reacta-Link wireless installations
- Optional integral Reacta-Control for integration with Reacta-Control wireless installations
- Ground level commissioning with REA-AP controller allows quick and simple setting and adjustment of sensors without the need for costly commissioning.

INSTALLATION

- Suitable for column installation, please specify spigot size required.
- Available with 40-50mm, 50-60mm or 60-76mm spigot
- Supplied with 10M prewired lead

VARIATIONS

- Available with a wide range of colour temperatures and renderings
- Available in a range of lumen outputs

IMAGES

PRODUCT IMAGES



Opus Column Small Sensor



Opus Column Small Vertical Spigot



Opus Column Small Rear Baffle

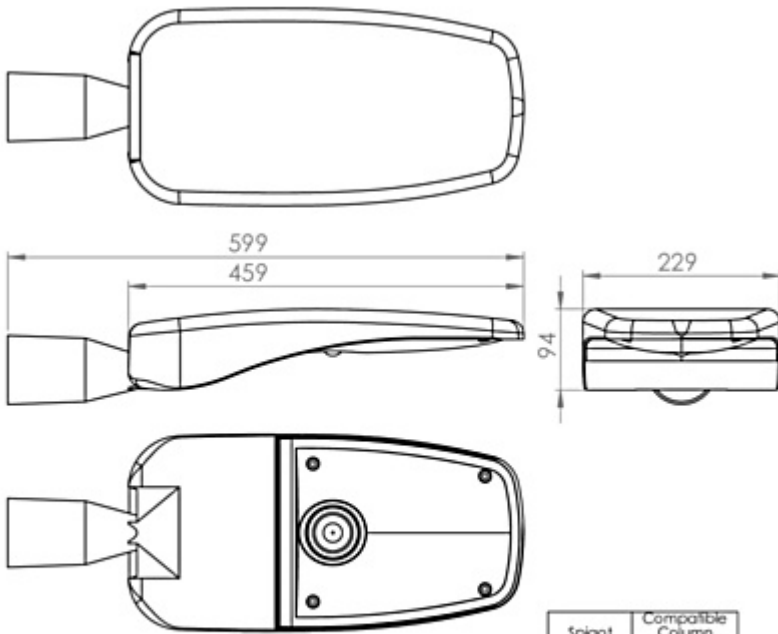


Opus Column Small Front Baffle



Opus Column Small Both Baffles

TECHNICAL

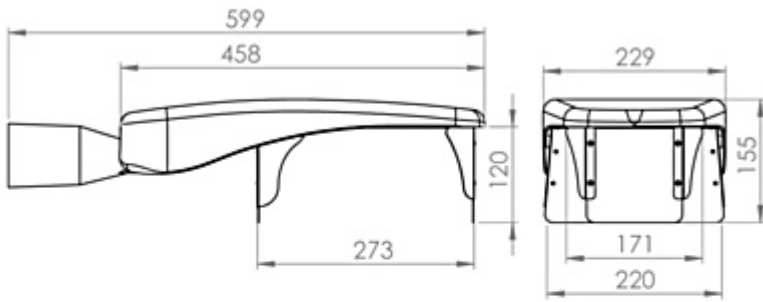


Windage = 0.0338 - 0.0378m²
(Dependant on spigot size)

Spigot	Compatible Column Diameter
40mm	40-50mm
60mm	50-60mm
76mm	60-76mm

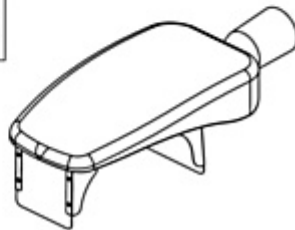
Opus Column Small Sensor





Windage			
	Front Baffle	Back Baffle	Combined Baffle
Cross Sectional Area	376.9cm ²	382cm ²	404.5cm ²

Spigot	Compatible Column Diameter
S40	40-50mm
S50	50-60mm
S60	60-76mm



Opus Column Small Sensor with Baffle

WARRANTY

At Dextra our commitment to service has been at the forefront throughout our history spanning more than forty years in the UK lighting market. Our service ethos extends beyond design and delivery, we believe supporting your installation throughout the warranty period is equally crucial, whilst the strength and longevity of Dextra Group provides peace of mind that our warranty will be supported throughout.

The Dextra range is supplied with a five year warranty commencing from the date of delivery. During the first three years defects will be repaired on site and the warranty will include both parts and labour. For the final two years drivers, emergency modules, wireless modules, sensors and LED circuits will be supplied free of charge to replace defective components, labour and other associated costs are not included.

Certain ranges and components are subject to exemptions:

- Lithium batteries are provided with a five year warranty. During the first three years defects will be repaired on site and the warranty will include both parts and labour. For the final two years replacement batteries will be supplied free of charge to replace defective components. Five year warranty became effective as of 03/02/25, Lithium emergency luminaires supplied prior to this date are supported with a three year on site warranty only. Labour and other associated costs are not included. Nickel Metal Hydride and Nickel Cadmium batteries are provided with a one year warranty for parts and labour.

- Emergency luminaires including AME LED, EXI LED, EXI2 LED, EXI Track, HBE LED, HBE2 LED, OAT2 LED, OEZ LED and Twinspot with Nickel Metal Hydride batteries are supplied with a one year warranty for parts and labour. Lithium variants of these ranges are supplied with a three year warranty for parts and labour with the exception of the AME2, EXI3, HBE3 and TWS IP65 L7 ranges which are supplied with a one year parts and labour warranty. TWS IP65 L7 in autotest and wireless variants are supplied with the standard three year lithium battery warranty.
- Protec Micro, PTECF7 Fire Rated Downlights, Serenus and the Opus Sconce are provided with a five year replacement luminaire only warranty. Protec FR Fire Rated Downlights are provided with a 2 year replacement luminaire only warranty.
- Controls systems such as standalone sensors, switches, marshalling boxes and cabling are provided with a one year warranty for both parts and labour. DALI control systems are provided with a two year warranty for both parts and labour.
- LEDextra ranges are supplied with a three year parts or replacement luminaire only warranty with the exception of the IMPR RGBW, the Runway RGBW, the MOD RGBW, Tanek RGBW and the DexRing. These five ranges are supplied with our standard five year warranty during which defects within the first three years will be repaired on site and the warranty includes both parts and labour. For the final two years free of charge replacement components only will be supplied to rectify any failures but labour and other associated costs are not included.
- LEDEX ranges are supplied with a three year replacement luminaire only warranty.
- The Decorative Pendant ranges, Bebo, Dene, Nova, Fino and Stix are supplied with a 3 year replacement luminaire only warranty.

All warranties are subject to correct use of the product and will be invalidated by misuse, for example incorrect installation, unsuitable environmental conditions or incorrect maintenance. It is the duty of the customer to ensure that all the fault lies with the luminaire prior to requesting replacement parts or site repairs. In the event that no defect is found with the product our costs for attending site will be recharged to the customer and credit will not be issued against returned products. No consequential losses incurred resulting from any defect with our product will be reimbursed.

Given the nature of LED technology a small percentage of LEDs may fail during the lifetime of a luminaire, this does not cause a reduction in lumen output. As such LED luminaires are only deemed to be faulty for warranty purposes when in excess of ten percent of LEDs have failed in a single luminaire.

On site repair of products under warranty will be undertaken during normal working hours, 9am to 5pm Monday to Friday, and will require unrestricted access to luminaires. Where required Dextra will provide access equipment to carry out repairs at height, should luminaires have been installed in locations where reasonable provision for maintenance access has not been made we reserve the right to supply replacement product only. On site warranty repairs will only be undertaken on the mainland of the UK and Ireland, in all other locations replacement product only will be provided.

If you require any assistance with regards to our products please contact our Customer Services department on 01747 858100.

ORDER CODES

LUMINAIRE

Code	Description	Power	Llm/W
OPUCSE L44 OA	Opus Column Small, 3,683llm, Open Area, Colour 74	25.6W	143
OPUCSE L60 OA	Opus Column Small, 5,022llm, Open Area, Colour 74	34.4W	145
OPUCSE L70 OA	Opus Column Small, 5,858llm, Open Area, Colour 74	42.0W	139
OPUCSE L44 W	Opus Column Small, 3,828llm, Wide, Colour 74	25.6W	149
OPUCSE L60 W	Opus Column Small, 5,220llm, Wide, Colour 74	34.4W	151
OPUCSE L70 W	Opus Column Small, 6,094llm, Wide, Colour 74	42.0W	145

CONTROL

Code	Description
R11	Reacta 11, Presence, IP65, Low Temperature, 3-15M
NEM	NEMA Socket
PH	Photocell
RLS	Reacta-Link Wireless, Presence, 2.5M-4M
RLS10	Reacta-Link Wireless, Presence, 5-10M
RLS15	Reacta-Link Wireless, Presence, 10-15M

SPIGOT

Code	Description
S40	40-50mm Spigot
S50	50-60mm Spigot
S60	60-76mm Spigot
OPUC WB	Opus Column Wall Mount Bracket

Please specify spigot size when ordering.

Please order luminaire less spigot when purchasing the wall mount bracket option.

MISCELLANEOUS

Code	Description
C73	Colour 73
OPUCS BAFFLE REAR GY	Opus Column Small Baffle, Rear, Grey
OPUCS BAFFLE FRONT GY	Opus Column Small Baffle, Front, Grey
OPUCS BAFFLE BOTH GY	Opus Column Small Baffle, Front & Rear, Grey

220-240V / 50-60Hz

IP65

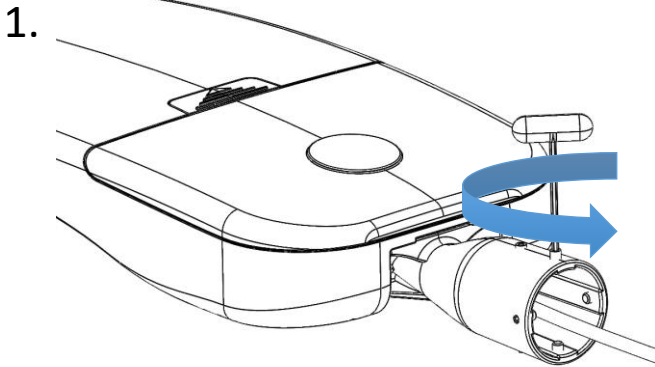
IK09



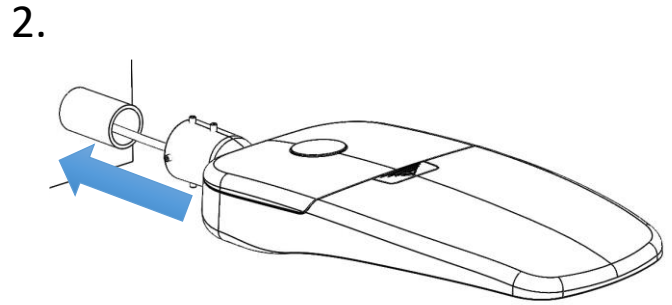
Terminal Labelling:

Power	
L1	Switched Live
E	Earth
N	Neutral
Emergency	
L2	Unswitched Live
DA/AT3	DALI Autotest
DA/AT3	DALI Autotest
Dimming	
-/D1/DA	Analogue/DSI/DALI
+/D2/DA	Analogue/DSI/DALI
L3	Switch Dim / Corridor Function

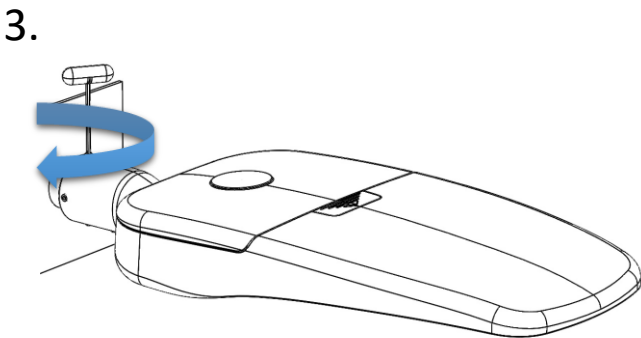
WARNING: Luminaire must be earthed. Risk of electric shock from LED boards if operated with cover removed. Installation / operation outside of luminaires intended scope invalidates warranty. Suitable only for domestic / light industrial / industrial applications within the scope of EN55015. Tested to compliance with BSEN 60598: specification for general requirements and tests. Must be installed by a suitably qualified person in accordance with all relevant legislation. Ambient operating temperature of 0°C to 25°C. If maximum operating temperature is exceeded luminaire will automatically dim / switch off. Terminal blocks are rated to 16A unless stated otherwise. The light source contained in this luminaire shall only be replaced by the manufacturer or his service agent or a similar qualified person. **LUMINAIRES WITH EMERGENCY PACK:** When supply is isolated battery output terminals may be live if battery is connected. Isolate mains and battery before servicing. Emergency luminaires require unswitched live connection taken from same phase as switched supply. When unswitched supply is connected status indicator illuminates green, when unswitched supply is disconnected indicator extinguishes and luminaire operates in emergency mode. 24 hour charge period required before undertaking full discharge test. Emergency test sheets provided should be used to record all emergency tests. Batteries should be replaced when 3 hour duration is not met. Excessive switching of permanent live may result in premature battery failure. Battery electrolyte can be harmful to eyes / open wounds, do not puncture, if electrolyte touches skin / eyes flush with water. Do not incinerate batteries.



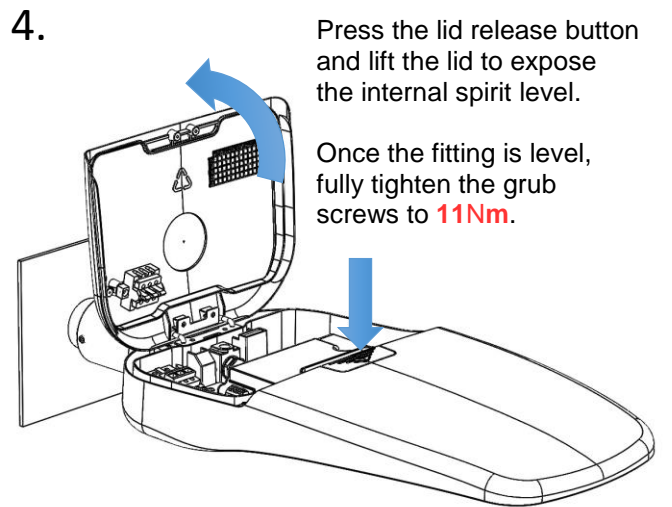
1. Using a 4mm Allen Key, loosen all the grub screws sufficiently to allow for the column diameter.



2. Feed the mains cable into the column and offer the spigot up to the column.

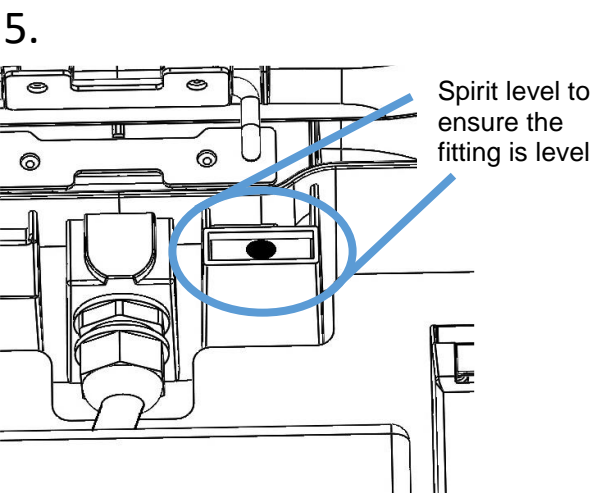


3. Using the 4mm Allen Key, tighten all the grub screws slightly so the fitting can still rotate.

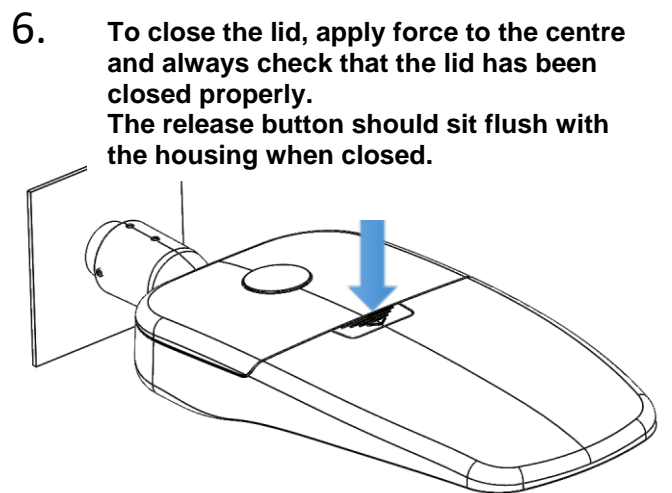


4. Press the lid release button and lift the lid to expose the internal spirit level.

Once the fitting is level, fully tighten the grub screws to **11Nm**.

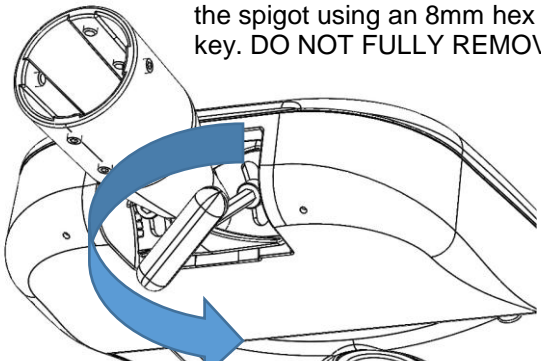
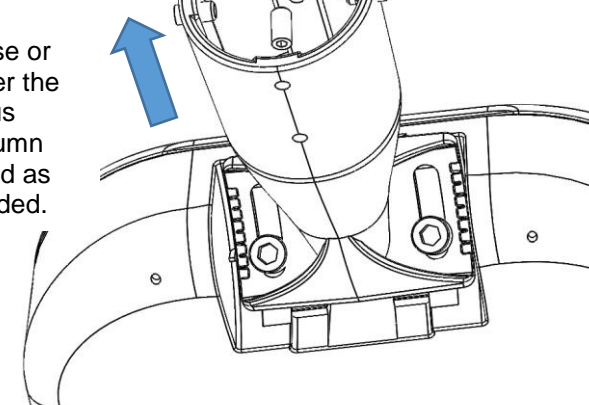
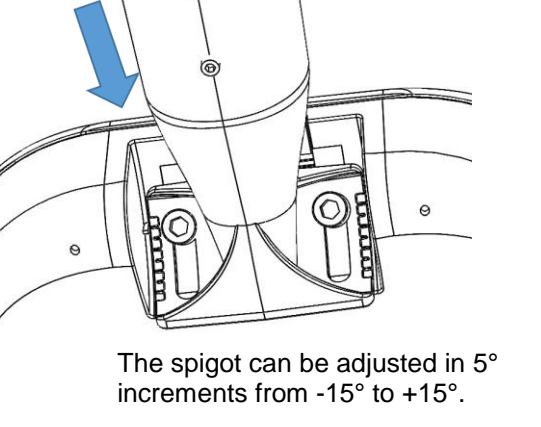
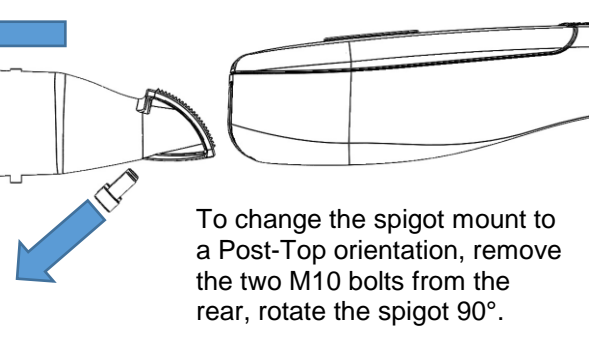
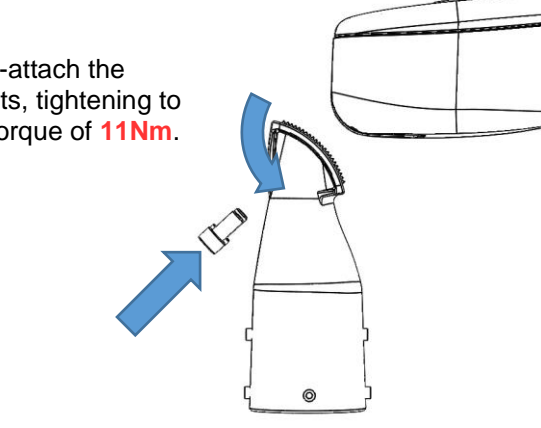
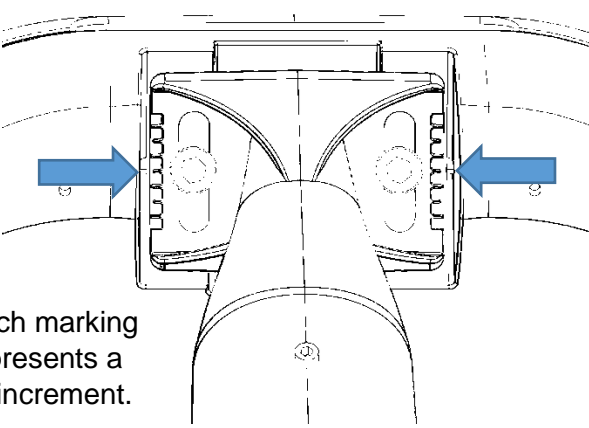
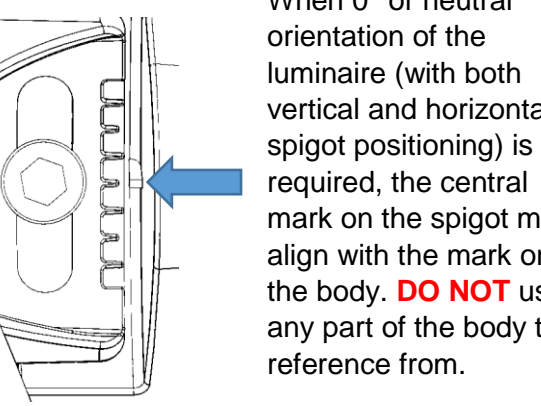
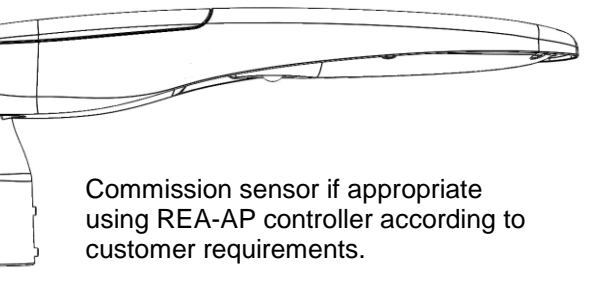


Spirit level to ensure the fitting is level



6. To close the lid, apply force to the centre and always check that the lid has been closed properly. The release button should sit flush with the housing when closed.

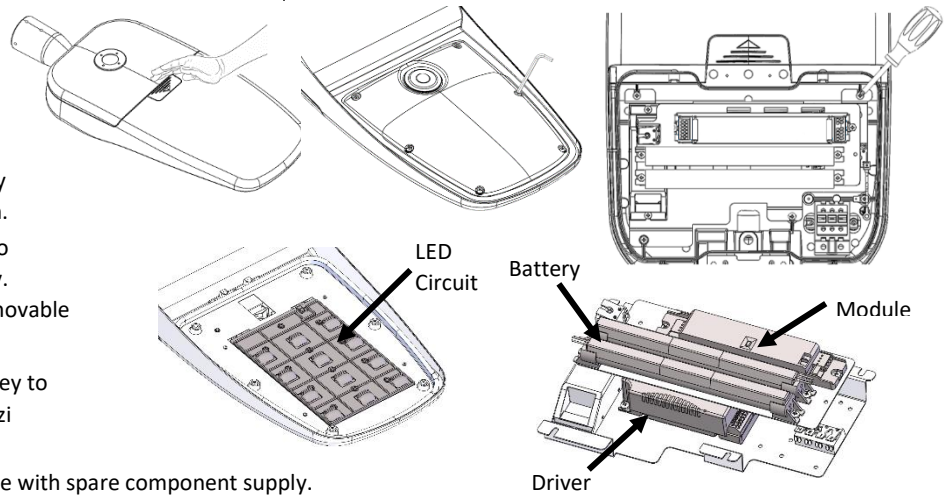
Opus Column Installation

<p>7.</p> <p>To adjust the vertical mounting angle, loosen the M10 bolts on the spigot using an 8mm hex key. DO NOT FULLY REMOVE.</p> 	<p>8.</p> <p>Raise or lower the Opus Column Head as needed.</p> 
<p>9.</p>  <p>The spigot can be adjusted in 5° increments from -15° to +15°.</p>	<p>10.</p>  <p>To change the spigot mount to a Post-Top orientation, remove the two M10 bolts from the rear, rotate the spigot 90°.</p>
<p>11.</p> <p>Re-attach the bolts, tightening to a torque of 11Nm.</p> 	<p>12.</p>  <p>Each marking represents a 5° increment.</p>
<p>13.</p> <p>When 0° or neutral orientation of the luminaire (with both vertical and horizontal spigot positioning) is required, the central mark on the spigot must align with the mark on the body. DO NOT use any part of the body to reference from.</p> 	<p>14.</p> <p>Follow steps 1-8 to install on a Column.</p>  <p>Commission sensor if appropriate using REA-AP controller according to customer requirements.</p>

Opus Column Installation

Maintenance

- 1 Disconnect luminaire before undertaking any maintenance or cleaning.
- 2 Cleaning should be undertaken on external parts of the luminaire only using a slightly damp lint free cloth.
- 3 To open lid push down on centre to release the lid and access gear tray.
- 4 Gear tray and components are removable by using a pan pozi screwdriver.
- 5 To access LED circuit use an allen key to remove diffuser then use a pan pozi screwdriver to remove lens.
- 6 Please contact Dextra for assistance with spare component supply.



Opus Column Wall Mount Bracket

220-240V / 50-60Hz

IP65

IK09

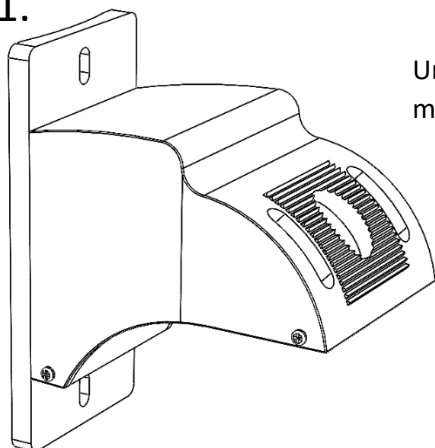


Terminal Labelling:

Power	
L1	Switched Live
E	Earth
N	Neutral
Emergency	
L2	Unswitched Live
DA/AT3	DALI Autotest
DA/AT3	DALI Autotest
Dimming	
-D1/DA	Analogue/DSI/DALI
+D2/DA	Analogue/DSI/DALI
L3	Switch Dim / Corridor Function

WARNING: Luminaire must be earthed. Risk of electric shock from LED boards if operated with cover removed. Installation / operation outside of luminaires intended scope invalidates warranty. Suitable only for domestic / light industrial / industrial applications within the scope of EN55015. Tested to compliance with BSEN 60598: specification for general requirements and tests. Must be installed by a suitably qualified person in accordance with all relevant legislation. Ambient operating temperature of 0°C to 25°C. If maximum operating temperature is exceeded luminaire will automatically dim / switch off. Terminal blocks are rated to 16A unless stated otherwise. The light source contained in this luminaire shall only be replaced by the manufacturer or his service agent or a similar qualified person. **LUMINAIRES WITH EMERGENCY PACK:** When supply is isolated battery output terminals may be live if battery is connected. Isolate mains and battery before servicing. Emergency luminaires require unswitched live connection taken from same phase as switched supply. When unswitched supply is connected status indicator illuminates green, when unswitched supply is disconnected indicator extinguishes and luminaire operates in emergency mode. 24 hour charge period required before undertaking full discharge test. Emergency test sheets provided should be used to record all emergency tests. Batteries should be replaced when 3 hour duration is not met. Excessive switching of permanent live may result in premature battery failure. Battery electrolyte can be harmful to eyes / open wounds, do not puncture, if electrolyte touches skin / eyes flush with water. Do not incinerate batteries.

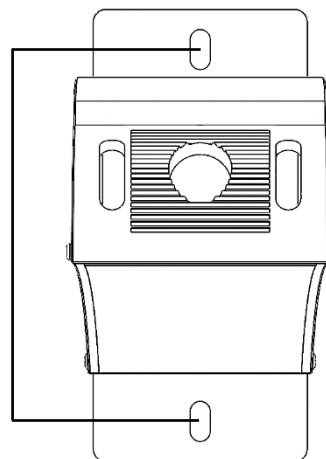
1.



Unpack wall mount bracket

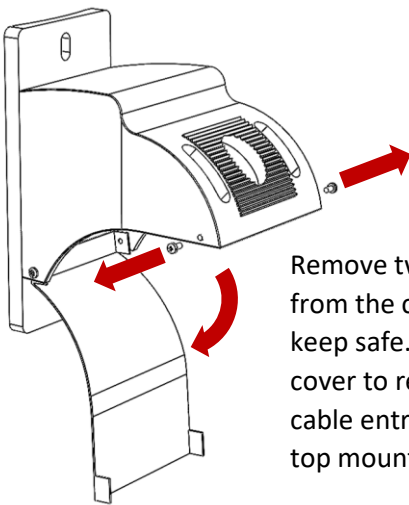
2.

Attach wall mount bracket to selected wall using the holes shown.
(Fixings not supplied)



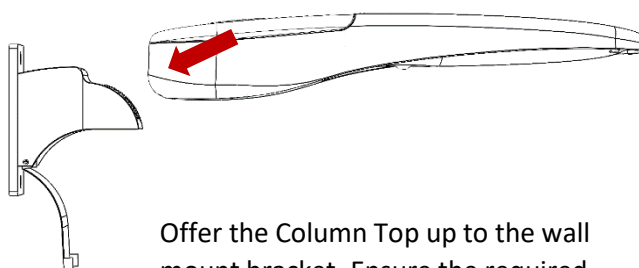
147mm fixings

3.



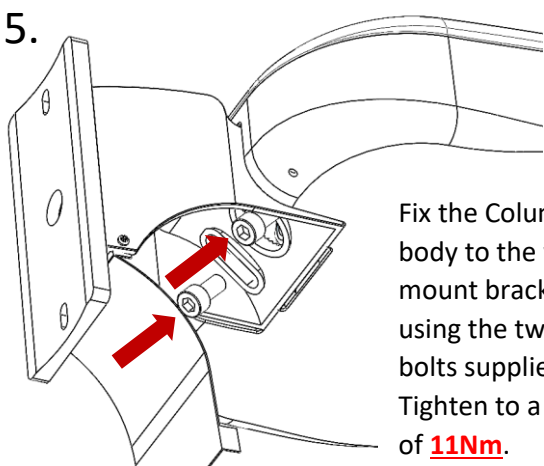
Remove two screws from the cover and keep safe. Open the cover to reveal the cable entry and column top mounting points.

4.



Offer the Column Top up to the wall mount bracket. Ensure the required mounting angle is selected using the 2.5° angle markings.

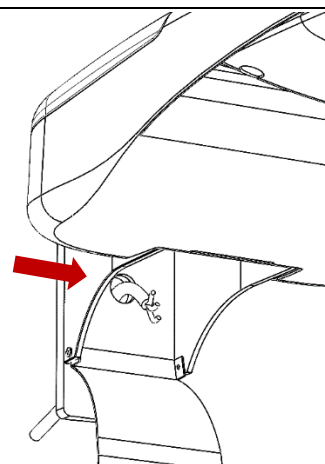
5.



Fix the Column Top body to the wall mount bracket using the two M10 bolts supplied. Tighten to a torque of **11Nm**.

6.

Feed the mains cable through the cable entry. Continue to wire and install the Column Top as per the separate Column Top installation leaflet DIL-0186-0001.



Opus Column Wall Mount Bracket

Maintenance

- 1 Disconnect luminaire before undertaking any maintenance or cleaning.
- 2 Cleaning should be undertaken on external parts of the luminaire only using a slightly damp lint free cloth.
- 3 To open lid push down on centre to release the lid and access gear tray.
- 4 Gear tray and components are removable by using a pan pozi screwdriver.
- 5 To access LED circuit use an allen key to remove diffuser then use a pan pozi screwdriver to remove lens.
- 6 Please contact Dextra for assistance with spare component supply.

