



PRODUCT SPECIFICATION

OPUS 360 HIGH OUTPUT



INTRODUCTION

The Opus 360 High Output offers excellent efficiency combined with high lumen outputs and lensed optical control making it ideal for effective illumination of large open areas. Offering up to 60,000lm output with efficiency of 147lm/w the Opus 360 High Output provides an extremely cost effective solution for car parks and other external spaces whilst minimising operating costs for both maintenance and power consumption.

With both symmetric and asymmetric variants providing solutions for both central columns and perimeters, and a range of lumen outputs to suit most column heights and spaces each Opus 360 installation can be tailored to ensure a minimum of light spill into adjacent properties whilst maintaining excellent lux levels and uniformity with minimal power consumption. With optional NEMA socket and photocell variants the luminaire can be supplied with a range of controls from basic photocell through to wireless connectivity.

The Opus 360 High Output is supplied with a 90-101mm base mount spigot, comes complete with a 10M prewired cable for rapid installation and is manufactured with a die cast aluminium housing with matt grey weather resistant paint finish and toughened glass cover ensuring excellent longevity in the field. We offer a range of wireless control systems providing localised grouping and control as well as comprehensive wireless solutions allowing both standard and emergency luminaires to be centrally monitored.

**UK
CPA** CE IP65 TM21: L90>80K HOURS 3 STEP MACADAM ELLIPSE

APPLICATION

- › Commercial / Offices
- › Education
- › Exterior
- › Healthcare / Social Housing
- › Hotel / Leisure
- › Industrial / Manufacturing
- › Parking / Exterior
- › Retail
- › Transport

SPECIFICATION

CONSTRUCTION

- › Housing: High pressure die cast aluminium
- › Finish: Polyester powder painted RAL 9006 matt grey, marine grade salt spray tested
- › Diffuser: 5mm toughened glass
- › Diffuser: Injection moulded clear polycarbonate
- › IP65

PERFORMANCE

- › Part L2 compliant
- › 3SCDM Three step Macadams ellipse
- › TM21: L90 at >80,000 Operating Hours
- › Up to 153 luminaire lumens per circuit Watt.

ENVIRONMENTAL

- › Designed to allow simple replacement of components with commonly available tools in compliance with the Eco Design Directive, please see the installation leaflet for maintenance instructions.
- › Powered by European branded drivers and emergency modules ensuring replacement parts are easily sourced.
- › Every luminaire is labelled with a unique ID number allowing easy identification of spare parts for the lifetime of the product.
- › Contains no single use plastics or polystyrene packaging.
- › Supplied in plain card boxes with paper tape ensuring packaging is easily recycled.

- Designed to allow simple disassembly for end of life recycling.
- UK based manufacturing providing local support throughout the product lifetime and minimising transportation miles.

EMERGENCY

- Available with optional standard, self test and autotest integral emergency with lithium batteries for extended warranty and lifetime.
- Optional Reacta-Link wireless emergency for automated centralised reporting.
- Optional Reacta-Control wireless emergency for automated centralised reporting.
- Optional central battery changeover relay

CONTROL

- Optional compatibility with a range of dimming systems including DALI, DSI and Switch Dimming
- Optional integral Reacta-Link for integration with Reacta-Link wireless installations
- Optional integral photocell

INSTALLATION

- Suitable for column installation, please specify spigot size required.
- Supplied with 10M prewired lead

VARIATIONS

- Available with a wide range of colour temperatures and renderings
- Available in a range of lumen outputs
- Available in grey or black finishes

IMAGES

PRODUCT IMAGES



Opus 360 High Output

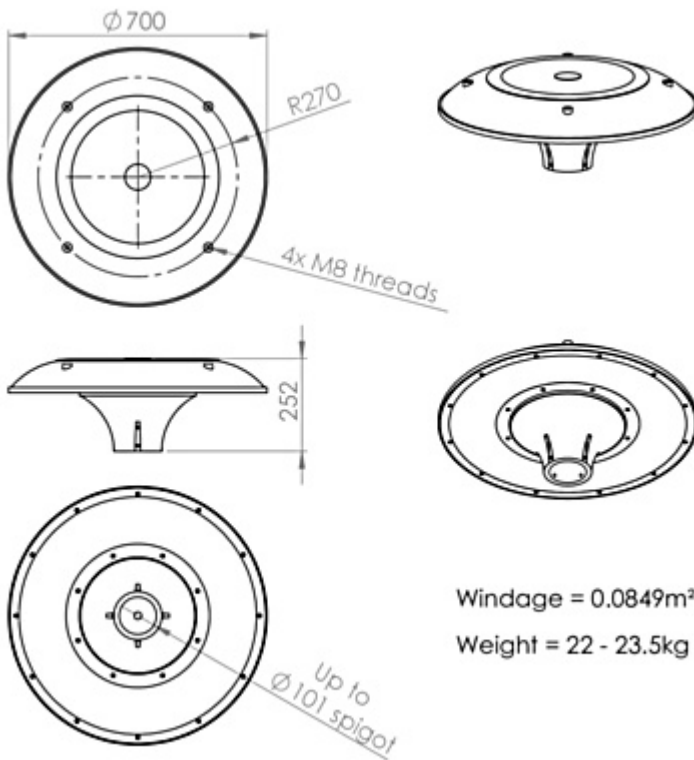


Opus 360 High Output



Opus 360 High Output Black

TECHNICAL



Opus 360 High Output

WARRANTY

At Dextra our commitment to service has been at the forefront throughout our history spanning more than forty years in the UK lighting market. Our service ethos extends beyond design and delivery, we believe supporting your installation

throughout the warranty period is equally crucial, whilst the strength and longevity of Dextra Group provides peace of mind that our warranty will be supported throughout.

The Dextra range is supplied with a five year warranty commencing from the date of delivery. During the first three years defects will be repaired on site and the warranty will include both parts and labour. For the final two years drivers, emergency modules, wireless modules, sensors and LED circuits will be supplied free of charge to replace defective components, labour and other associated costs are not included.

Certain ranges and components are subject to exemptions:

- Lithium batteries are provided with a five year warranty. During the first three years defects will be repaired on site and the warranty will include both parts and labour. For the final two years replacement batteries will be supplied free of charge to replace defective components. Five year warranty became effective as of 03/02/25, Lithium emergency luminaires supplied prior to this date are supported with a three year on site warranty only. Labour and other associated costs are not included. Nickel Metal Hydride and Nickel Cadmium batteries are provided with a one year warranty for parts and labour.
- Emergency luminaires including AME LED, EXI LED, EXI2 LED, EXI Track, HBE LED, HBE2 LED, OAT2 LED, OEZ LED and Twinspot with Nickel Metal Hydride batteries are supplied with a one year warranty for parts and labour. Lithium variants of these ranges are supplied with a three year warranty for parts and labour with the exception of the AME2, EXI3, HBE3 and TWS IP65 L7 ranges which are supplied with a one year parts and labour warranty. TWS IP65 L7 in autotest and wireless variants are supplied with the standard three year lithium battery warranty.
- Protec Micro, PTECF7 Fire Rated Downlights, Serenus and the Opus Sconce are provided with a five year replacement luminaire only warranty. Protec FR Fire Rated Downlights are provided with a 2 year replacement luminaire only warranty.
- Controls systems such as standalone sensors, switches, marshalling boxes and cabling are provided with a one year warranty for both parts and labour. DALI control systems are provided with a two year warranty for both parts and labour.
- LEDextra ranges are supplied with a three year parts or replacement luminaire only warranty with the exception of the IMPR RGBW, the Runway RBGW, the MOD RGBW, Tanek RGBW and the DexRing. These five ranges are supplied with our standard five year warranty during which defects within the first three years will be repaired on site and the warranty includes both parts and labour. For the final two years free of charge replacement components only will be supplied to rectify any failures but labour and other associated costs are not included.
- LEDEX ranges are supplied with a three year replacement luminaire only warranty.
- The Decorative Pendant ranges, Bebo, Dene, Nova, Fino and Stix are supplied with a 3 year replacement luminaire only warranty.

All warranties are subject to correct use of the product and will be invalidated by misuse, for example incorrect installation,

unsuitable environmental conditions or incorrect maintenance. It is the duty of the customer to ensure that all the fault lies with the luminaire prior to requesting replacement parts or site repairs. In the event that no defect is found with the product our costs for attending site will be recharged to the customer and credit will not be issued against returned products. No consequential losses incurred resulting from any defect with our product will be reimbursed.

Given the nature of LED technology a small percentage of LEDs may fail during the lifetime of a luminaire, this does not cause a reduction in lumen output. As such LED luminaires are only deemed to be faulty for warranty purposes when in excess of ten percent of LEDs have failed in a single luminaire.

On site repair of products under warranty will be undertaken during normal working hours, 9am to 5pm Monday to Friday, and will require unrestricted access to luminaires. Where required Dextra will provide access equipment to carry out repairs at height, should luminaires have been installed in locations where reasonable provision for maintenance access has not been made we reserve the right to supply replacement product only. On site warranty repairs will only be undertaken on the mainland of the UK and Ireland, in all other locations replacement product only will be provided.

If you require any assistance with regards to our products please contact our Customer Services department on 01747 858100.

ORDER CODES

LUMINAIRE

Code	Description	Power	Llm/W
OPU36HO L300 S90	Opus 360 HO, 26,070lm, 90-101mm Spigot, Colour 74	170.2W	153
OPU36HO L400 S90	Opus 360 HO, 34,766lm, 90-101mm Spigot, Colour 74	238.0W	146
OPU36HO L600 S90	Opus 360 HO, 52,140lm, 90-101mm Spigot, Colour 74	349.2W	149
OPU36HO L150 S90 OA	Opus 360 HO OA, 12,489lm, Open Area, 90-101mm Spigot, Colour 74	79.4W	157
OPU36HO L200 S90 OA	Opus 360 HO OA, 16,653lm, Open Area, 90-101mm Spigot, Colour 74	111.2W	148
OPU36HO L300 S90 OA	Opus 360 HO OA, 24,978lm, Open Area, 90-101mm Spigot, Colour 74	162.7W	154
OPU36HO L150 S90 AS	Opus 360 HO, 12,120lm, Asymmetric, 90-101mm Spigot, Colour 74	85.1W	142
OPU36HO L200 S90 AS	Opus 360 HO, 16,174lm, Asymmetric, 90-101mm Spigot, Colour 74	116.6W	138
OPU36HO L300 S90 AS	Opus 360 HO, 24,240lm, Asymmetric, 90-101mm Spigot, Colour 74	175.0W	138

CONTROL

Code	Description
NEM	NEMA Socket
PH	Photocell

EMERGENCY

Code	Description
LE3	Lithium Standard Emergency 3 Hour
LS3	Lithium Selftest Emergency 3 Hour
LA3	Lithium Autotest Emergency 3 Hour
LSTR	Lithium Reacta-Link Emergency 3 Hour
LA3RC	Lithium Reacta-Control Emergency 3 Hour
CB	Central Battery, Please Specify 50V, 110V or 230V when Ordering

Emergency only available in L300 and below

MISCELLANEOUS

Code	Description
C73	Colour 73
BL	Black Finish
LSF	Low Smoke Zero Halogen

Opus 360 High Output Installation

220-240V / 50-60Hz

IP65

IK08



Terminal Labelling:

Power	
L1	Switched Live
E	Earth
N	Neutral
Emergency	
L2	Unswitched Live
DA/AT3	DALI Autotest
DA/AT3	DALI Autotest
Dimming	
-/D1/DA	Analogue/DSI/DALI
+/D2/DA	Analogue/DSI/DALI
L3	Switch Dim / Corridor Function

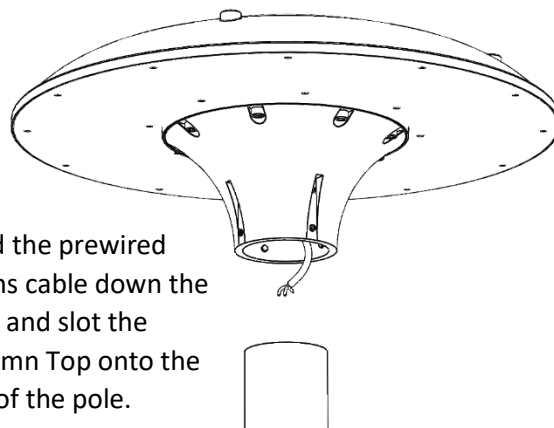
WARNING: Luminaire must be earthed. Risk of electric shock from LED boards if operated with cover removed. Installation / operation outside of luminaires intended scope invalidates warranty. Suitable only for domestic / light industrial / industrial applications within the scope of EN55015. Tested to compliance with BSEN 60598: specification for general requirements and tests. Must be installed by a suitably qualified person in accordance with all relevant legislation. Ambient operating temperature of 0°C to 25°C. If maximum operating temperature is exceeded luminaire will automatically dim / switch off. Terminal blocks are rated to 16A unless stated otherwise. The light source contained in this luminaire shall only be replaced by the manufacturer or his service agent or a similar qualified person. **LUMINAIRES WITH EMERGENCY PACK:** When supply is isolated battery output terminals may be live if battery is connected. Isolate mains and battery before servicing. Emergency luminaires require unswitched live connection taken from same phase as switched supply. When unswitched supply is connected status indicator illuminates green, when unswitched supply is disconnected indicator extinguishes and luminaire operates in emergency mode. 24 hour charge period required before undertaking full discharge test. Emergency test sheets provided should be used to record all emergency tests. Batteries should be replaced when 3 hour duration is not met. Excessive switching of permanent live may result in premature battery failure. Battery electrolyte can be harmful to eyes / open wounds, do not puncture, if electrolyte touches skin / eyes flush with water. Do not incinerate batteries.

1.

Carefully unpack luminaire and discard packaging.

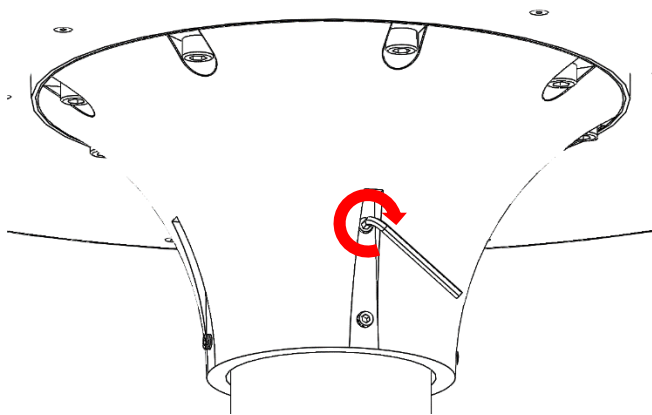
2.

Feed the prewired mains cable down the pole and slot the Column Top onto the top of the pole.



3.

Tighten all grub screws using a 4mm Allen key to 11Nm.



4.

Wire luminaire into the base of the column as required.

Maintenance

- 1 Disconnect luminaire before undertaking any maintenance or cleaning.
- 2 Cleaning should be undertaken on external parts of the luminaire only using a slightly damp lint free cloth.
- 3 To access fitting a use a M5 Allen Key to remove from cover.
- 4 Use a pan pozi screwdriver to remove gear tray and components.
- 5 To access LED circuit use a Torque Wrench set to 11NM to remove screws from glass. Use a pan pozi screwdriver to remove LED circuit.
- 6 Please contact Dextra for assistance with spare component supply.

