



PRODUCT SPECIFICATION

MOD CURVE



INTRODUCTION

The MOD Curve brings a new dimension to our popular MOD range, offering the same benefits of low energy consumption and maintenance with a new and visually appealing curved diffuser which aids light distribution onto walls and ceiling providing an attractive lit environment. The MOD Curve uses backlit technology ensuring superb efficiency as well as benefitting LED lifetime by using a high chip count run at low output to minimise operating temperature.

The MOD Curve is available in a wide range of lumen outputs and optional dimming control gear and integral lithium emergency as well as wireless dimming control with our Reacta-Dim system or web based control and reporting of luminaires through our Reacta-Link system.



CE IP40 IP44 IK08 TM21: L90>60K HOURS / L80>90K HOURS 3 STEP MACADAM ELLIPSE TP(a)

APPLICATION

- Canteen
- Commercial / Offices
- Corridor

- › Education
 - › Healthcare / Social Housing
 - › Hotel / Leisure
 - › Industrial / Manufacturing
 - › Office
 - › Retail
 - › Transport
 - › Warehouse / Storage
-

SPECIFICATION

CONSTRUCTION

- › Housing: 0.7mm CR4 steel
- › Finish: Polyester powder painted BS 00E55 matt white 60% gloss
- › Diffuser: Injection moulded high transmission opal polycarbonate
- › IK08
- › IP40
- › IP44

PERFORMANCE

- › Part L2 compliant
- › 3SCDM Three step Macadams ellipse
- › TM21: L90>60K Hours / L80>90K Hours
- › Up to 132 luminaire lumens per circuit Watt.
- › Both 3500 and 4500 lumen options comply with BSEN 12464 3000 candela glare requirements.

ENVIRONMENTAL

- › Designed to allow simple replacement of components with commonly available tools in compliance with the Eco Design Directive, please see the installation leaflet for maintenance instructions.
- › Powered by European branded drivers and emergency modules ensuring replacement parts are easily sourced.
- › Every luminaire is labelled with a unique ID number allowing easy identification of spare parts for the lifetime of the product.
- › Contains no single use plastics or polystyrene packaging.
- › Supplied in plain card boxes with paper tape ensuring packaging is easily recycled.
- › Designed to allow simple disassembly for end of life recycling.
- › UK based manufacturing providing local support throughout the product lifetime and minimising transportation miles.

EMERGENCY

- Available with optional standard, self test and autotest integral emergency with lithium batteries for extended warranty and lifetime.
- Optional Reacta-Link wireless emergency for automated centralised reporting.
- Optional Reacta-Control wireless emergency for automated centralised reporting.
- Optional central battery changeover relay

CONTROL

- Optional compatibility with a range of dimming systems including DALI, DSI and Switch Dimming
- Optional White tunable

INSTALLATION

- Suitable for lay-in installation in exposed T ceilings

VARIATIONS

- Available with a wide range of colour temperatures and renderings
- Available in a range of housing sizes and lumen outputs
- Available with optional night light

IMAGES

PRODUCT IMAGES



MOD Curve 600x600



MOD Terminal Cover



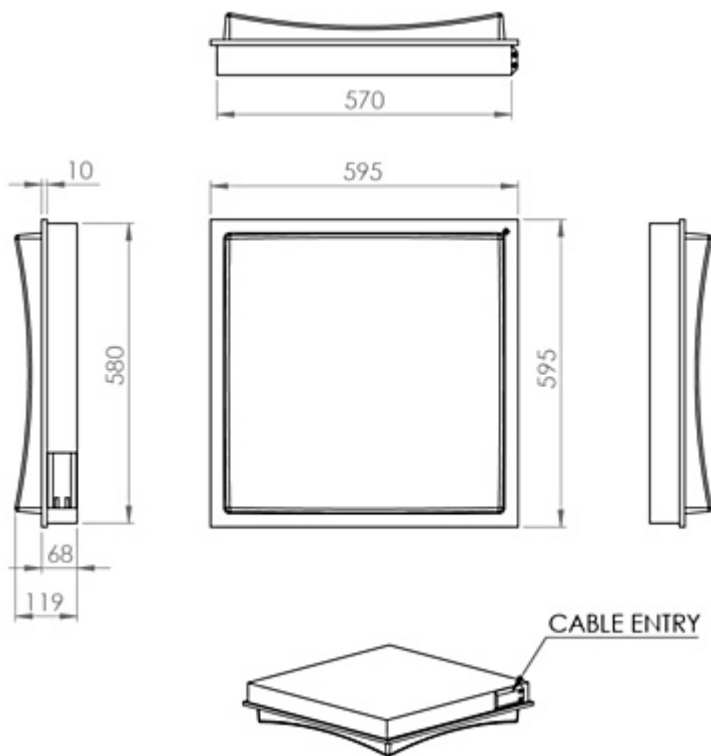
Tether Kit

PROJECT IMAGES



TECHNICAL





MOD Curve Lay-In 600x600

WARRANTY

At Dextra our commitment to service has been at the forefront throughout our history spanning more than forty years in the UK lighting market. Our service ethos extends beyond design and delivery, we believe supporting your installation throughout the warranty period is equally crucial, whilst the strength and longevity of Dextra Group provides peace of mind that our warranty will be supported throughout.

The Dextra range is supplied with a five year warranty commencing from the date of delivery. During the first three years defects will be repaired on site and the warranty will include both parts and labour. For the final two years drivers, emergency modules, wireless modules, sensors and LED circuits will be supplied free of charge to replace defective components, labour and other associated costs are not included.

Certain ranges and components are subject to exemptions:

- Lithium batteries are provided with a five year warranty. During the first three years defects will be repaired on site and the warranty will include both parts and labour. For the final two years replacement batteries will be supplied free of charge to replace defective components. Five year warranty became effective as of 03/02/25, Lithium emergency luminaires supplied prior to this date are supported with a three year on site warranty only. Labour and other associated costs are not included. Nickel Metal Hydride and Nickel Cadmium batteries are provided with a one year warranty for parts and labour.

- Emergency luminaires including AME LED, EXI LED, EXI2 LED, EXI Track, HBE LED, HBE2 LED, OAT2 LED, OEZ LED and Twinspot with Nickel Metal Hydride batteries are supplied with a one year warranty for parts and labour. Lithium variants of these ranges are supplied with a three year warranty for parts and labour with the exception of the AME2, EXI3, HBE3 and TWS IP65 L7 ranges which are supplied with a one year parts and labour warranty. TWS IP65 L7 in autotest and wireless variants are supplied with the standard three year lithium battery warranty.
- Protec Micro, PTECF7 Fire Rated Downlights, Serenus and the Opus Sconce are provided with a five year replacement luminaire only warranty. Protec FR Fire Rated Downlights are provided with a 2 year replacement luminaire only warranty.
- Controls systems such as standalone sensors, switches, marshalling boxes and cabling are provided with a one year warranty for both parts and labour. DALI control systems are provided with a two year warranty for both parts and labour.
- LEDextra ranges are supplied with a three year parts or replacement luminaire only warranty with the exception of the IMPR RGBW, the Runway RGBW, the MOD RGBW, Tanek RGBW and the DexRing. These five ranges are supplied with our standard five year warranty during which defects within the first three years will be repaired on site and the warranty includes both parts and labour. For the final two years free of charge replacement components only will be supplied to rectify any failures but labour and other associated costs are not included.
- LEDEX ranges are supplied with a three year replacement luminaire only warranty.
- The Decorative Pendant ranges, Bebo, Dene, Nova, Fino and Stix are supplied with a 3 year replacement luminaire only warranty.

All warranties are subject to correct use of the product and will be invalidated by misuse, for example incorrect installation, unsuitable environmental conditions or incorrect maintenance. It is the duty of the customer to ensure that all the fault lies with the luminaire prior to requesting replacement parts or site repairs. In the event that no defect is found with the product our costs for attending site will be recharged to the customer and credit will not be issued against returned products. No consequential losses incurred resulting from any defect with our product will be reimbursed.

Given the nature of LED technology a small percentage of LEDs may fail during the lifetime of a luminaire, this does not cause a reduction in lumen output. As such LED luminaires are only deemed to be faulty for warranty purposes when in excess of ten percent of LEDs have failed in a single luminaire.

On site repair of products under warranty will be undertaken during normal working hours, 9am to 5pm Monday to Friday, and will require unrestricted access to luminaires. Where required Dextra will provide access equipment to carry out repairs at height, should luminaires have been installed in locations where reasonable provision for maintenance access has not been made we reserve the right to supply replacement product only. On site warranty repairs will only be undertaken on the mainland of the UK and Ireland, in all other locations replacement product only will be provided.

If you require any assistance with regards to our products please contact our Customer Services department on 01747 858100.

ORDER CODES

LUMINAIRE

Lay in

Code	Description	Power	Llm/W
MODRC L35	MOD Curve, Lay In, 600x600, 2,723lm, Colour 84	21.6W	126
MODRC L45	MOD Curve, Lay In, 600x600, 3,503lm, Colour 84	26.5W	132
MODRC L55	MOD Curve, Lay In, 600x600, 4,279lm, Colour 84	33.1W	129
MODRC L68	MOD Curve, Lay In, 600x600, 5,290lm, Colour 84	39.9W	132
MODRC L76	MOD Curve, Lay In, 600x600, 5,913lm, Colour 84	45.1W	131

For plasterboard ceilings please specify lay-in luminaire and appropriate plasterboard kit.

DIMMING

Code	Description
A	DALI Digital Addressable Lighting Interface
S	Switch Dimming
D	DSI Digital Dimming
H	HFR Analogue 1-10v
C	Bi-Level Dimming For Standalone Switched Sensor
WT	White Tunable (Lumen Outputs Vary from Standard)

Please click [here](#) for full details on our white tunable offer.

CONTROL

Code	Description
RLI	Reacta-Link, Wireless Enabled Luminaire
RC	Reacta-Control, Wireless Enabled Luminaire

EMERGENCY

Code	Description
LE3	Lithium Standard Emergency 3 Hour
LS3	Lithium Selftest Emergency 3 Hour
LA3	Lithium Autotest Emergency 3 Hour
LSTR	Lithium Reacta-Link Emergency 3 Hour
LA3RC	Lithium Reacta-Control Emergency 3 Hour
CB	Central Battery, Please Specify 50V, 110V or 230V when Ordering

MISCELLANEOUS

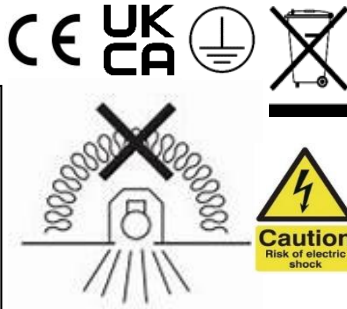
Code	Description
C**	Select Colour Temperature and Rendering; C83, C84, C85, C865, C93, C94
4PM	4 Pole Panel Mount
6PM	6 Pole Panel Mount
IP44	IP44 Below the Ceiling Only
PBK 66	600x600 Plasterboard Kit
LSF	Low Smoke Zero Halogen

MOD Lay-In Installation

220-240V / 50-60Hz

IP40

IK08

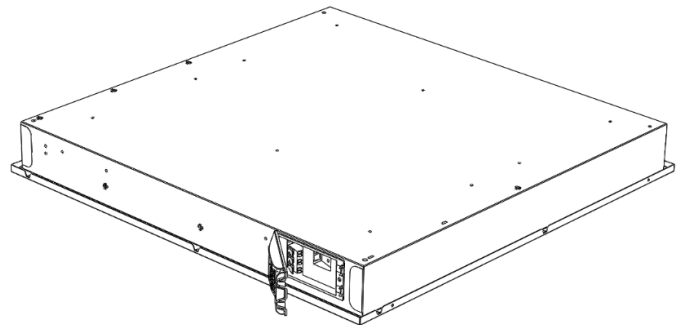
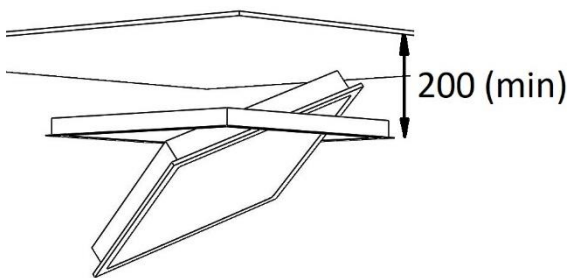


WARNING: Luminaire must be earthed. Risk of electric shock from LED boards if operated with cover removed. Installation / operation outside of luminaires intended scope invalidates warranty. Suitable only for domestic / light industrial / industrial applications within the scope of EN55015. Tested to compliance with BSEN 60598: specification for general requirements and tests. Must be installed by a suitably qualified person in accordance with all relevant legislation. Ambient operating temperature of 0°C to 25°C. If maximum operating temperature is exceeded luminaire will automatically dim / switch off. Terminal blocks are rated to 16A unless stated otherwise. The light source contained in this luminaire shall only be replaced by the manufacturer or his service agent or a similar qualified person. **LUMINAIRES WITH EMERGENCY PACK:** When supply is isolated battery output terminals may be live if battery is connected. Isolate mains and battery before servicing. Emergency luminaires require unswitched live connection taken from same phase as switched supply. When unswitched supply is connected status indicator illuminates green, when unswitched supply is disconnected indicator extinguishes and luminaire operates in emergency mode. 24 hour charge period required before undertaking full discharge test. Emergency test sheets provided should be used to record all emergency tests. Batteries should be replaced when 3 hour duration is not met. Excessive switching of permanent live may result in premature battery failure. Battery electrolyte can be harmful to eyes / open wounds, do not puncture, if electrolyte touches skin / eyes flush with water. Do not incinerate batteries.

Terminal Labelling:	
Power	
L1	Switched Live
E	Earth
N	Neutral
Emergency	
L2	Unswitched Live
DA/AT3	DALI Autotest
DA/AT3	DALI Autotest
Dimming	
-/D1/DA	Analogue/DSI/DALI
+/D2/DA	Analogue/DSI/DALI
L3	Switch Dim / Corridor Function

1.

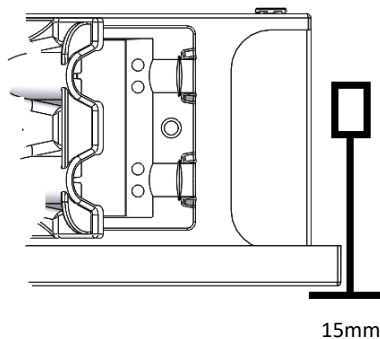
MODR – no brackets supplied. Luminaire is designed to simply lift and tilt in to aperture resting on back of exposed T-bar (15 or 24mm) – NOTE Minimum void to install!



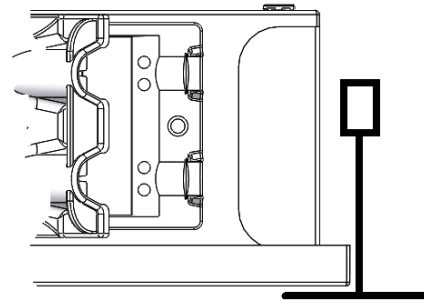
2.

FIXTURE SIZES

595 x 595
1195 x 595
1195 x 295



15mm



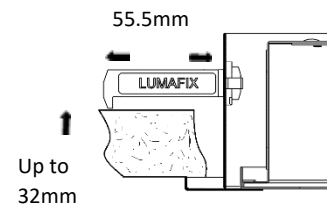
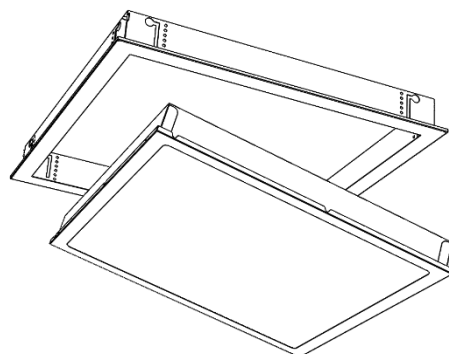
24mm

3.

Installation in Solid Ceiling

REQUIRED APERTURE SIZES

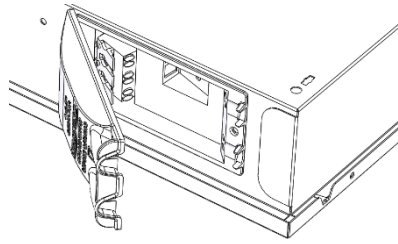
612 x 612
1212 x 612
1212 x 312



MODR fitted in PBK frame (suitable for plasterboard / solid ceilings with thickness up to 32mm). Luminaire lift and tilts as R1.1

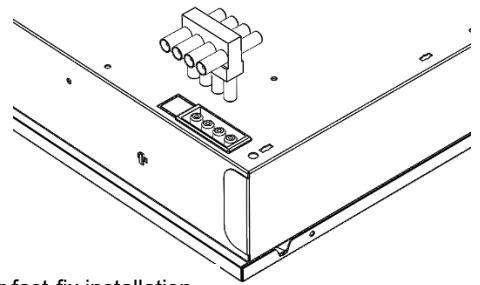
MOD Lay-In Installation

4a. Electrical Connection



Standard hard-wire termination.
May be supplied as:
3-pole <LEN>
4-pole <N E 1 2>
6-pole <LENL2 D1 D2>.
If specified, a flex can be factory-fitted.

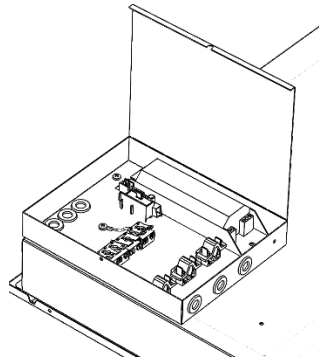
4b.



Panel socket for fast-fix installation.
Can be supplied as 4-pole (4PM)
or 6-pole (6PM). Will require
necessary T-connectors and leads.

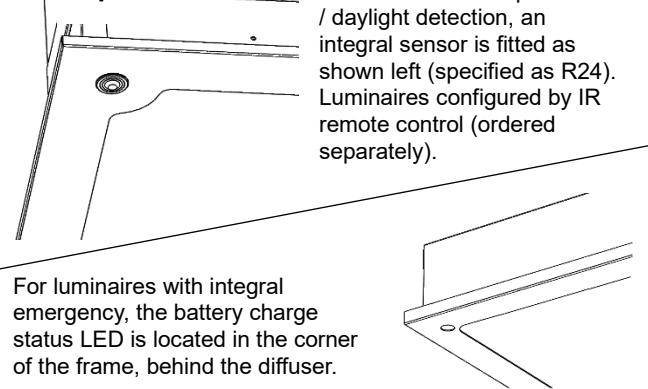
4c.

For alternative configurations (Autotest emergency / central battery systems etc.) luminaires may be supplied with additional back-box as seen right. Conductor identification will be marked accordingly.



5. Options

For luminaires with presence / daylight detection, an integral sensor is fitted as shown left (specified as R24). Luminaires configured by IR remote control (ordered separately).



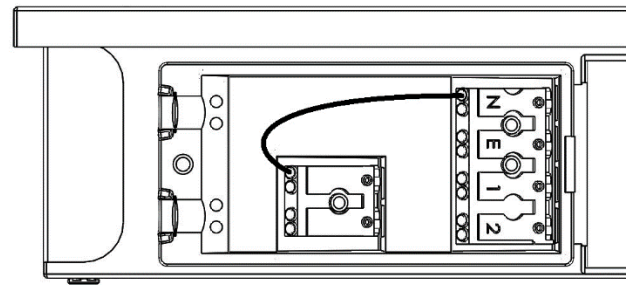
For luminaires with integral emergency, the battery charge status LED is located in the corner of the frame, behind the diffuser.

6.

Other options are available not shown here which essentially have cosmetic differences only (Office compliant version / PF version etc.). This installation leaflet applies to these versions.

7.

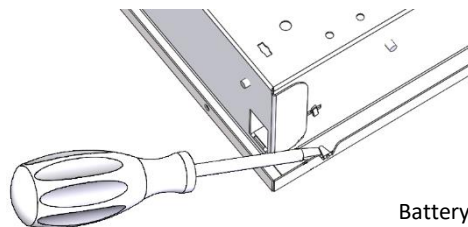
Neutral link within terminal cover in MODLED ranges is present to allow conversion to DSI/ DALI dimming, remove if necessary.



Maintenance

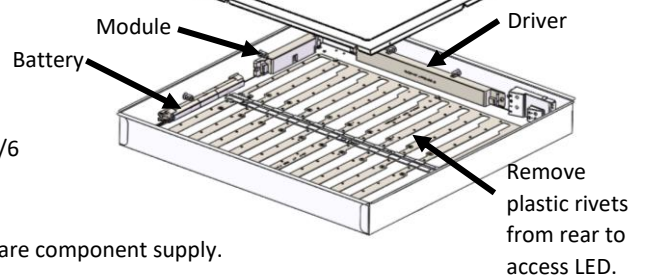
① Disconnect luminaire before undertaking any maintenance or cleaning.

② Cleaning should be undertaken on external parts of the luminaire only using a slightly damp lint free cloth.



③ Lift all tabs up on frame to access housing. For 1200x3/6 remove extra screw fixing.

④ Use a pan pozi screwdriver when removing components.



⑤ Please contact Dextra for assistance with spare component supply.

Recessed Tether Kit Installation

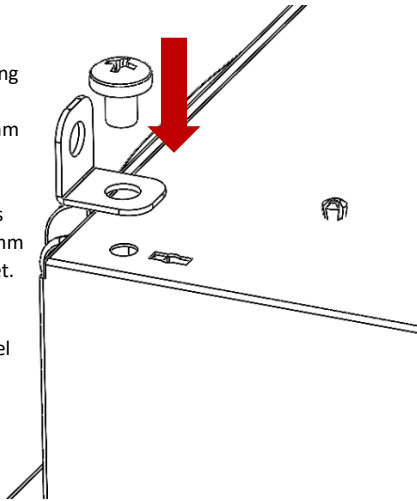
230-240V / 50-60Hz



1.

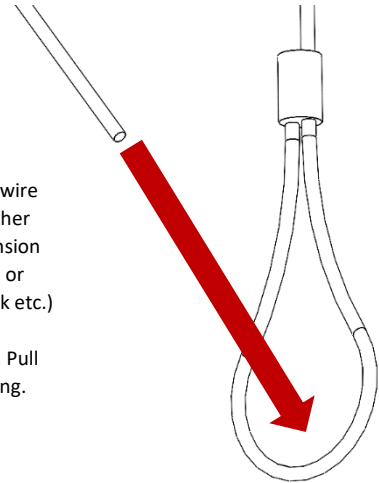
Attach tether bracket using the M6 tapitite screw provided. There are 5.5mm holes provided in the corners of the luminaire body. If not available, it is permissible to drill a 5.5mm hole to accept the bracket.

The 5.5mm hole may be covered with a white label which can be removed if necessary.



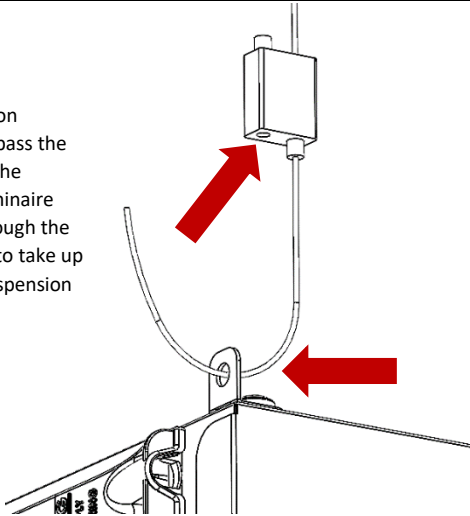
2.

Using the suspension wire provided, pass the tether over a suitable suspension point in ceiling (purlin or suitably rated eyehook etc.) and feed the free end through the loop end. Pull tight to secure to ceiling.



3.

With the suspension gripper attached, pass the free end through the bracket on the luminaire and feed back through the gripper. Pull tight to take up the slack in the suspension wire.



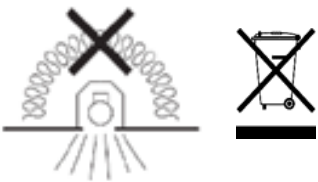
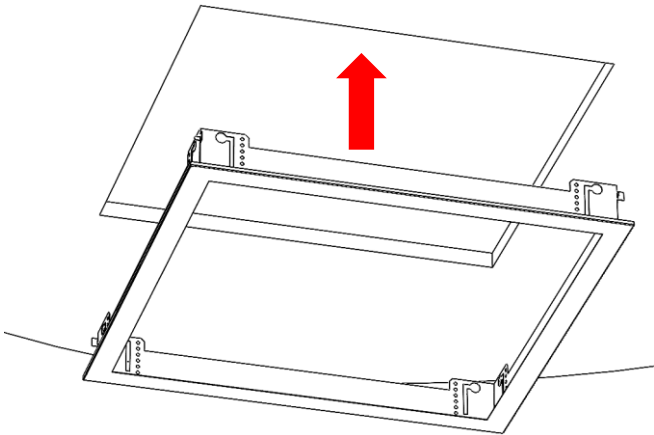
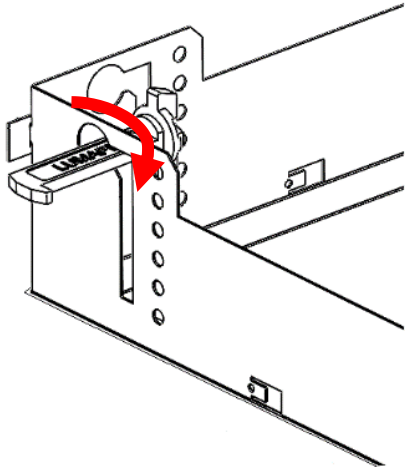
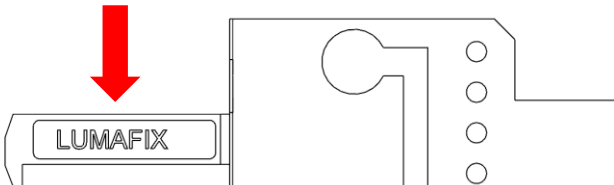
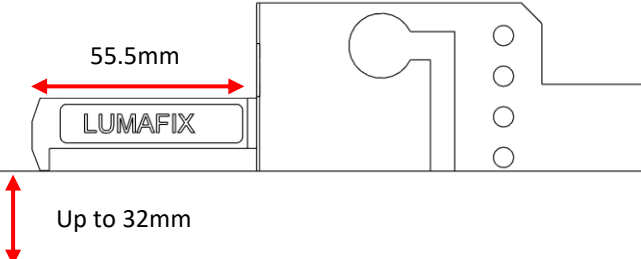
4.

Repeat in opposing corners if multiple tethers are required.

5.

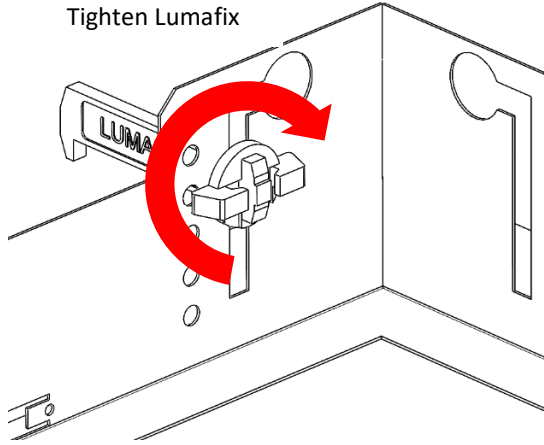
6.

Plasterboard Kit Installation

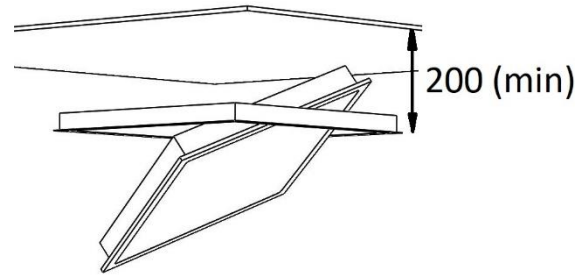
<p>IP20</p> 	
<p>1. For use with lay-in luminaires</p> <p>Cut out sizes:</p> <p>600x600 PBK = 612x612mm</p> <p>1200x600 PBK = 1212x612mm</p> <p>1200x300 PBK = 1212x312mm</p>	<p>2. Compatible fittings:</p> <ul style="list-style-type: none"> Rubini Recessed Modular Rubix Recessed Rubix Flush MOD Office MOD Slim MOD UGR MOD Curve MOD Caelus Dual Dual Square Arcus Flush Arcus Duo Arcus Mono
<p>3.</p> 	<p>4.</p> 
<p>5.</p> 	<p>6.</p>  <p>55.5mm</p> <p>Up to 32mm</p> <p>Ceilings with thickness up to 32mm</p>

Plasterboard Kit Installation

7. Tighten Lumafix



8.



Luminaire is designed to simply lift and tilt in to aperture resting on back of plasterboard kit.
NOTE Minimum void to install.