

PRODUCT SPECIFICATION

MOD RGBW



INTRODUCTION

The MOD RGBW offers full colour changing with both surface mount and recessed variants. The highly efficient back lit design gives a superior energy efficiency and LED lifetime whilst the high transmission polycarbonate opal diffuser ensures excellent efficiency, a homogenous lit appearance and TP(a) rating. The recessed MOD RGBW is available in both lay in and pull up variants to suit a range of ceiling types and is supplied with one DALI driver per channel ensuring colours can be quickly and easily adjusted to the desired effect.

**UK
CA** CE IP40 IK08 TP(a)

APPLICATION

- Education
- Healthcare / Social Housing
- Hotel / Leisure

SPECIFICATION

CONSTRUCTION

- › Housing: 0.7mm CR4 steel
- › Finish: Polyester powder painted BS 00E55 matt white 60% gloss
- › Diffuser: 2mm high transmission opal polycarbonate TP(a) rated
- › IK08
- › IP40

ENVIRONMENTAL

- › Designed to allow simple replacement of components with commonly available tools in compliance with the Eco Design Directive, please see the installation leaflet for maintenance instructions.
- › Powered by European branded drivers and emergency modules ensuring replacement parts are easily sourced.
- › Every luminaire is labelled with a unique ID number allowing easy identification of spare parts for the lifetime of the product.
- › Contains no single use plastics or polystyrene packaging.
- › Supplied in plain card boxes with paper tape ensuring packaging is easily recycled.
- › Designed to allow simple disassembly for end of life recycling.
- › UK based manufacturing providing local support throughout the product lifetime and minimising transportation miles.

EMERGENCY

- › Not available with emergency

CONTROL

- › Optional integral Reacta-Control for integration with Reacta-Control wireless installations
- › RGBW Colour Changing
- › RGBW colour change with DALI control.

INSTALLATION

- › Suitable for lay-in installation in exposed T ceilings
- › Suitable for pull-up installation in concealed grid ceilings
- › Suitable for plasterboard installation when purchased with the appropriate plasterboard kit
- › Suitable for surface installation

VARIATIONS

- › Available in a range of housing sizes and lumen outputs

PERFORMANCE

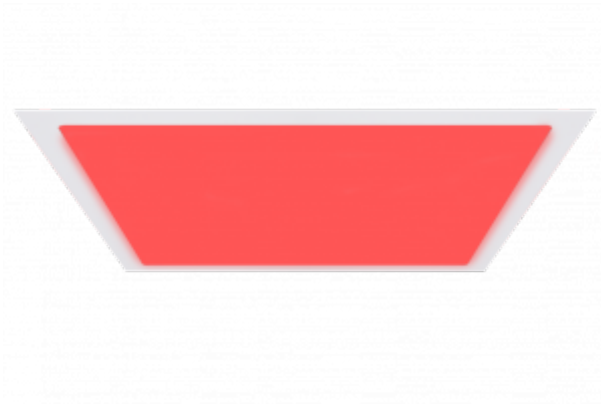
➤ Red / Blue / Green channels allow for full colour change. White channel supplied in 4000k as standard, other colour temperatures available on request. Please note RGB and W channels must be operated separately.

➤ Circuit Wattage – Red 21.3W, Green 30.4W, Blue 28.2W

➤ Luminaire Lumens – Red 923lm, Green 2,380lm, Blue 364lm

IMAGES

PRODUCT IMAGES



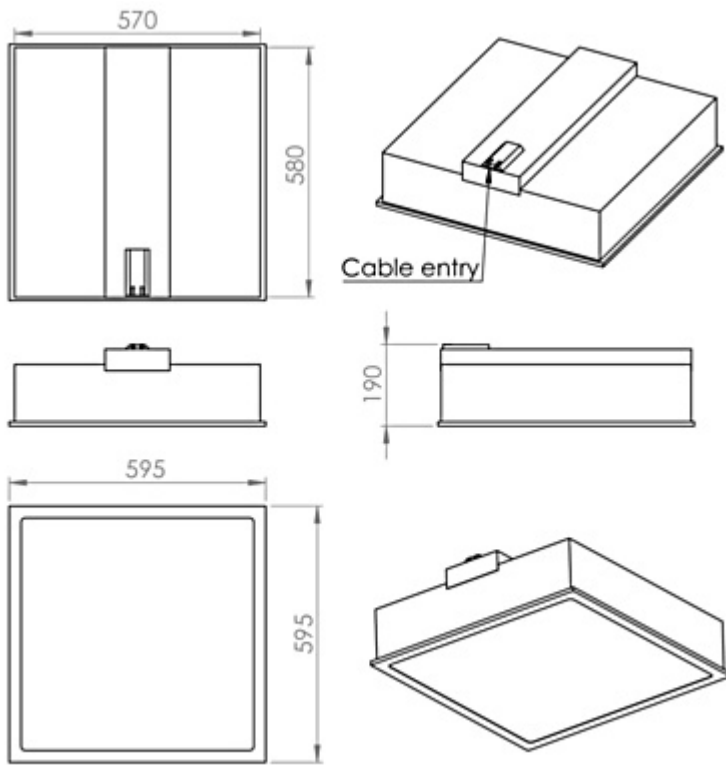
MOD RGBW



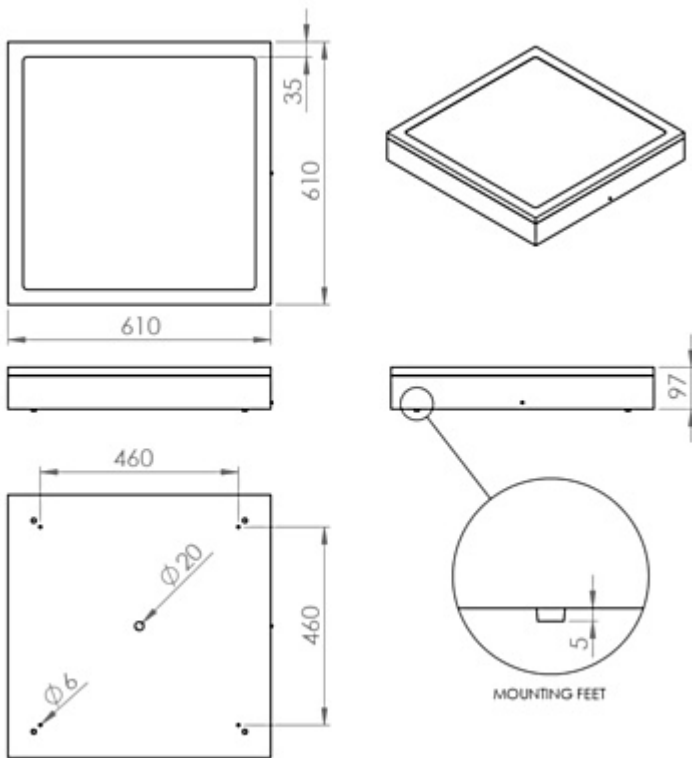
MODS RGBW

TECHNICAL

➤



MOD RGBW



MODS RGBW

WARRANTY

At Dextra our commitment to service has been at the forefront throughout our history spanning more than forty years in the UK lighting market. Our service ethos extends beyond design and delivery, we believe supporting your installation throughout the warranty period is equally crucial, whilst the strength and longevity of Dextra Group provides peace of mind that our warranty will be supported throughout.

The Dextra range is supplied with a five year warranty commencing from the date of delivery. During the first three years defects will be repaired on site and the warranty will include both parts and labour. For the final two years drivers, emergency modules, wireless modules, sensors and LED circuits will be supplied free of charge to replace defective components, labour and other associated costs are not included.

Certain ranges and components are subject to exemptions:

- Lithium batteries are provided with a five year warranty. During the first three years defects will be repaired on site and the warranty will include both parts and labour. For the final two years replacement batteries will be supplied free of charge to replace defective components. Five year warranty became effective as of 03/02/25, Lithium emergency luminaires supplied prior to this date are supported with a three year on site warranty only. Labour and other associated costs are not included. Nickel Metal Hydride and Nickel Cadmium batteries are provided with a one year warranty for parts and labour.
- Emergency luminaires including AME LED, EXI LED, EXI2 LED, EXI Track, HBE LED, HBE2 LED, OAT2 LED, OEZ LED and Twinspot with Nickel Metal Hydride batteries are supplied with a one year warranty for parts and labour. Lithium variants of these ranges are supplied with a three year warranty for parts and labour with the exception of the AME2, EXI3, HBE3 and TWS IP65 L7 ranges which are supplied with a one year parts and labour warranty. TWS IP65 L7 in autotest and wireless variants are supplied with the standard three year lithium battery warranty.
- Protec Micro, PTECF7 Fire Rated Downlights, Serenus and the Opus Sconce are provided with a five year replacement luminaire only warranty. Protec FR Fire Rated Downlights are provided with a 2 year replacement luminaire only warranty.
- Controls systems such as standalone sensors, switches, marshalling boxes and cabling are provided with a one year warranty for both parts and labour. DALI control systems are provided with a two year warranty for both parts and labour.
- LEDextra ranges are supplied with a three year parts or replacement luminaire only warranty with the exception of the IMPR RGBW, the Runway RBGW, the MOD RGBW, Tanek RGBW and the DexRing. These five ranges are supplied with our standard five year warranty during which defects within the first three years will be repaired on site and the warranty includes both parts and labour. For the final two years free of charge replacement components only will be supplied to rectify any failures but labour and other associated costs are not included.
- LEDEX ranges are supplied with a three year replacement luminaire only warranty.

- The Decorative Pendant ranges, Bebo, Dene, Nova, Fino and Stix are supplied with a 3 year replacement luminaire only warranty.

All warranties are subject to correct use of the product and will be invalidated by misuse, for example incorrect installation, unsuitable environmental conditions or incorrect maintenance. It is the duty of the customer to ensure that all the fault lies with the luminaire prior to requesting replacement parts or site repairs. In the event that no defect is found with the product our costs for attending site will be recharged to the customer and credit will not be issued against returned products. No consequential losses incurred resulting from any defect with our product will be reimbursed.

Given the nature of LED technology a small percentage of LEDs may fail during the lifetime of a luminaire, this does not cause a reduction in lumen output. As such LED luminaires are only deemed to be faulty for warranty purposes when in excess of ten percent of LEDs have failed in a single luminaire.

On site repair of products under warranty will be undertaken during normal working hours, 9am to 5pm Monday to Friday, and will require unrestricted access to luminaires. Where required Dextra will provide access equipment to carry out repairs at height, should luminaires have been installed in locations where reasonable provision for maintenance access has not been made we reserve the right to supply replacement product only. On site warranty repairs will only be undertaken on the mainland of the UK and Ireland, in all other locations replacement product only will be provided.

If you require any assistance with regards to our products please contact our Customer Services department on 01747 858100.

ORDER CODES

LUMINAIRE

| Code | Description | Power (C84) | Llm/W | Luminous Flux |
|---------------|--|-------------|-------|---|
| MODR RGBW L45 | MOD, Lay-In, 600x600, 3,204lm C84, RGBW / Colour 84 | 31.0W | 103 | 923lm Red, 2,380lm Green, 364lm Blue, 6,871lm RGB White |
| MODP RGBW L45 | MOD, Pull-Up, 600x600, 3,204lm C84, RGBW / Colour 84 | 31.0W | 103 | 923lm Red, 2,380lm Green, 364lm Blue, 6,871lm RGB White |
| MODS RGBW L45 | MOD, Surface, 600x600, 3,073lm C84, RGBW / Colour 84 | | | |

Other sizes available on request - please contact LEDextra

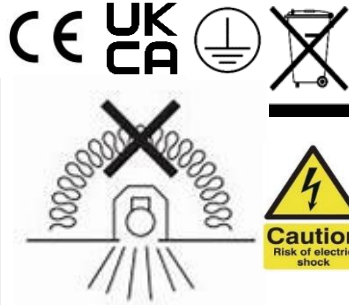
CONTROL

| Code | Description |
|------|--|
| RC | Reacta-Control, Wireless Enabled Luminaire |

MISCELLANEOUS

| Code | Description |
|------|------------------------|
| LSF | Low Smoke Zero Halogen |

220-240V / 50-60Hz
IP40
IK08



WARNING: Luminaire must be earthed. Risk of electric shock from LED boards if operated with cover removed. Installation / operation outside of luminaires intended scope invalidates warranty. Suitable only for domestic / light industrial / industrial applications within the scope of EN55015. Tested to compliance with BSEN 60598: specification for general requirements and tests. Must be installed by a suitably qualified person in accordance with all relevant legislation. Ambient operating temperature of 0°C to 25°C. If maximum operating temperature is exceeded luminaire will automatically dim / switch off. Terminal blocks are rated to 16A unless stated otherwise. The light source contained in this luminaire shall only be replaced by the manufacturer or his service agent or a similar qualified person. **LUMINAIRES WITH EMERGENCY PACK:** When supply is isolated battery output terminals may be live if battery is connected. Isolate mains and battery before servicing. Emergency luminaires require unswitched live connection taken from same phase as switched supply. When unswitched supply is connected status indicator illuminates green, when unswitched supply is disconnected indicator extinguishes and luminaire operates in emergency mode. 24 hour charge period required before undertaking full discharge test. Emergency test sheets provided should be used to record all emergency tests. Batteries should be replaced when 3 hour duration is not met. Excessive switching of permanent live may result in premature battery failure. Battery electrolyte can be harmful to eyes / open wounds, do not puncture, if electrolyte touches skin / eyes flush with water. Do not incinerate batteries.

| Terminal Labelling: | |
|---------------------|--------------------------------|
| Power | |
| L1 | Switched Live |
| E | Earth |
| N | Neutral |
| Emergency | |
| L2 | Unswitched Live |
| DA/AT3 | DALI Autotest |
| DA/AT3 | DALI Autotest |
| Dimming | |
| -/D1/DA | Analogue/DSI/DALI |
| +/D2/DA | Analogue/DSI/DALI |
| L3 | Switch Dim / Corridor Function |

1.

MODR – no brackets supplied. Luminaire is designed to simply lift and tilt in to aperture resting on back of exposed T-bar (15 or 24mm).

2.

15mm Tee 24mm Tee

3.

Standard hard-wire termination. May be supplied as:
3-pole <LEN>
4-pole <N E 1 2>
6-pole <LENL2 D1 D2>.

4.

MODR fitted in PBK frame (suitable for plasterboard / solid ceilings with thickness up to 32mm). Luminaire lift and tilts as per above.

5. Installation in Solid Ceiling

REQUIRED APERTURE SIZES

612 x 612
1212 x 612
1212 x 312

Up to 32mm

55.5mm

LUMAFIX

Caution: All red, green and blue can be run at the same time, however white can only be run with one additional colour. The fitting must not run all 4 colours at the same time. Drivers come programmed to prevent operation above 50% output when not connected to a DALI system, however commissioning will reset these values, we recommend these values are programmed during commissioning to prevent overheating should the DALI system fail.

Under no circumstances should the LEDs in this luminaire be viewed directly, only illuminate this product with the diffuser installed. Directly viewing the LEDs in this luminaire has the potential to damage eyesight.

MOD RGBW Installation

Maintenance

- ① Disconnect luminaire before undertaking any maintenance or cleaning.
- ② Cleaning should be undertaken on external parts of the luminaire only using a slightly damp lint free cloth.
- ③ Lift all tabs up on frame to access LED circuits.
- ④ Use a pan pozi screwdriver to remove gear box and components.
- ⑤ Please contact Dextra for assistance with spare component supply.

