

PRODUCT SPECIFICATION

MOD EDGE UGR



INTRODUCTION

The MOD Edge UGR compliments our recessed modular range with an edge lit modular luminaire with a housing depth of just 8.5mm, ideal for applications where ceiling void depth is limited and a minimum of space is available to lift and tilt luminaires into position.

The MOD Edge UGR is manufactured with a TP(a) compliant microprism diffuser providing peace of mind that safety regulations are adhered to whilst allowing installation in applications where glare compliance to both BSEN12464 and UGR 19 are required. The MOD Edge UGR ensures compliance is complimented with flexibility with a wide range of lumen outputs, dimming and lithium emergency options.



MOD EDGE UGR - APPLICATION

- › Canteen
- › Commercial / Offices
- › Corridor
- › Education
- › Healthcare / Social Housing
- › Hotel / Leisure
- › Industrial / Manufacturing
- › Office
- › Retail
- › Transport
- › Warehouse / Storage

MOD EDGE UGR - SPECIFICATION

CONSTRUCTION

- › Housing: Extruded aluminium
- › Finish: Polyester powder painted BS 00E55 matt white 60% gloss
- › Diffuser: Combined 2mm high transmission opal polycarbonate TP(a) rated and 2mm microprism anti glare PMMA
- › IP20
- › Edge lit construction allows the MOD Edge to offer the slimmest housing in our range.

PERFORMANCE

- › Part L2 compliant
- › BSEN 12464-1:2011 3000 Candela 65° and UGR 19 compliance
- › 3SCDM Three step Macadams ellipse
- › TM21: L70 at 50,000 hours
- › Up to 117 luminaire lumens per circuit Watt.

ENVIRONMENTAL

- › Powered by European branded drivers and emergency modules ensuring replacement parts are easily sourced.
- › Every luminaire is labelled with a unique ID number allowing easy identification of spare parts for the lifetime of the product.
- › UK based manufacturing providing local support throughout the product lifetime and minimising transportation miles.

EMERGENCY

- Available with optional standard, self test and autotest integral emergency with lithium batteries for extended warranty and lifetime.

CONTROL

- Optional compatibility with a range of dimming systems including DALI, DSI and Switch Dimming

INSTALLATION

- Suitable for lay-in installation in exposed T ceilings

VARIATIONS

- Available in a range of lumen outputs

MOD EDGE UGR - IMAGES

PRODUCT IMAGES



MOD Edge UGR

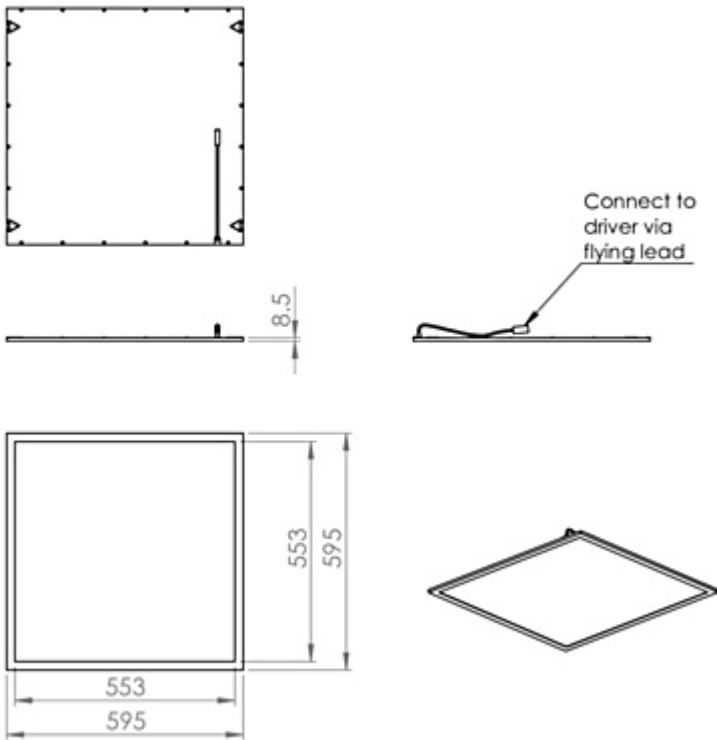
PROJECT IMAGES





MOD EDGE UGR - TECHNICAL

>



MOD Edge UGR

MOD EDGE UGR - WARRANTY

At Dextra our commitment to service has been at the forefront throughout our history spanning more than forty years in the UK lighting market. Our service ethos extends beyond design and delivery, we believe supporting your installation

throughout the warranty period is equally crucial, whilst the strength and longevity of Dextra Group provides peace of mind that our warranty will be supported throughout.

The Dextra range is supplied with a five year warranty commencing from the date of delivery. During the first three years defects will be repaired on site and the warranty will include both parts and labour. For the final two years drivers, emergency modules, wireless modules, sensors and LED circuits will be supplied free of charge to replace defective components, labour and other associated costs are not included.

Certain ranges and components are subject to exemptions:

- Lithium batteries are provided with a five year warranty. During the first three years defects will be repaired on site and the warranty will include both parts and labour. For the final two years replacement batteries will be supplied free of charge to replace defective components. Five year warranty became effective as of 03/02/25, Lithium emergency luminaires supplied prior to this date are supported with a three year on site warranty only. Labour and other associated costs are not included. Nickel Metal Hydride and Nickel Cadmium batteries are provided with a one year warranty for parts and labour.
- Emergency luminaires including AME LED, EXI LED, EXI2 LED, EXI Track, HBE LED, HBE2 LED, OAT2 LED, OEZ LED and Twinspot with Nickel Metal Hydride batteries are supplied with a one year warranty for parts and labour. Lithium variants of these ranges are supplied with a three year warranty for parts and labour with the exception of the AME2, EXI3, HBE3 and TWS IP65 L7 ranges which are supplied with a one year parts and labour warranty. TWS IP65 L7 in autotest and wireless variants are supplied with the standard three year lithium battery warranty.
- Protec Micro, PTECF7 Fire Rated Downlights, Serenus and the Opus Sconce are provided with a five year replacement luminaire only warranty. Protec FR Fire Rated Downlights are provided with a 2 year replacement luminaire only warranty.
- Controls systems such as standalone sensors, switches, marshalling boxes and cabling are provided with a one year warranty for both parts and labour. DALI control systems are provided with a two year warranty for both parts and labour.
- LEDextra ranges are supplied with a three year parts or replacement luminaire only warranty with the exception of the IMPR RGBW, the Runway RBGW, the MOD RGBW, Tanek RGBW and the DexRing. These five ranges are supplied with our standard five year warranty during which defects within the first three years will be repaired on site and the warranty includes both parts and labour. For the final two years free of charge replacement components only will be supplied to rectify any failures but labour and other associated costs are not included.
- LEDEX ranges are supplied with a three year replacement luminaire only warranty.
- The Decorative Pendant ranges, Bebo, Dene, Nova, Fino and Stix are supplied with a 3 year replacement luminaire only warranty.

All warranties are subject to correct use of the product and will be invalidated by misuse, for example incorrect installation,

unsuitable environmental conditions or incorrect maintenance. It is the duty of the customer to ensure that all the fault lies with the luminaire prior to requesting replacement parts or site repairs. In the event that no defect is found with the product our costs for attending site will be recharged to the customer and credit will not be issued against returned products. No consequential losses incurred resulting from any defect with our product will be reimbursed.

Given the nature of LED technology a small percentage of LEDs may fail during the lifetime of a luminaire, this does not cause a reduction in lumen output. As such LED luminaires are only deemed to be faulty for warranty purposes when in excess of ten percent of LEDs have failed in a single luminaire.

On site repair of products under warranty will be undertaken during normal working hours, 9am to 5pm Monday to Friday, and will require unrestricted access to luminaires. Where required Dextra will provide access equipment to carry out repairs at height, should luminaires have been installed in locations where reasonable provision for maintenance access has not been made we reserve the right to supply replacement product only. On site warranty repairs will only be undertaken on the mainland of the UK and Ireland, in all other locations replacement product only will be provided.

If you require any assistance with regards to our products please contact our Customer Services department on 01747 858100.

MOD EDGE UGR - ORDER CODES

LUMINAIRE

| Code | Description | Power | lIm/W |
|----------|--|-------|-------|
| MODE L20 | MOD Edge UGR, 600x600, 1,976lIm, Colour 84 | 17.8W | 111 |
| MODE L30 | MOD Edge UGR, 600x600, 2,997lIm, Colour 84 | 25.6W | 117 |
| MODE L35 | MOD Edge UGR, 600x600, 3,460lIm, Colour 84 | 29.5W | 117 |
| MODE L40 | MOD Edge UGR, 600x600, 3,913lIm, Colour 84 | 36.3W | 107 |

DIMMING

| Code | Description |
|------|---|
| A | DALI Digital Addressable Lighting Interface |
| S | Switch Dimming |
| D | DSI Digital Dimming |

EMERGENCY

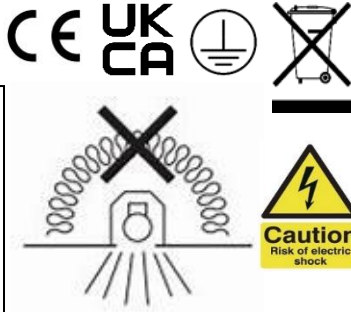
| Code | Description |
|------|-----------------------------------|
| LE3 | Lithium Standard Emergency 3 Hour |
| LS3 | Lithium Selftest Emergency 3 Hour |
| LA3 | Lithium Autotest Emergency 3 Hour |

MISCELLANEOUS

| Code | Description |
|---------|--|
| C827/65 | Manual Colour Switch 2700k / 4000k / 6500k |

MOD Edge Installation

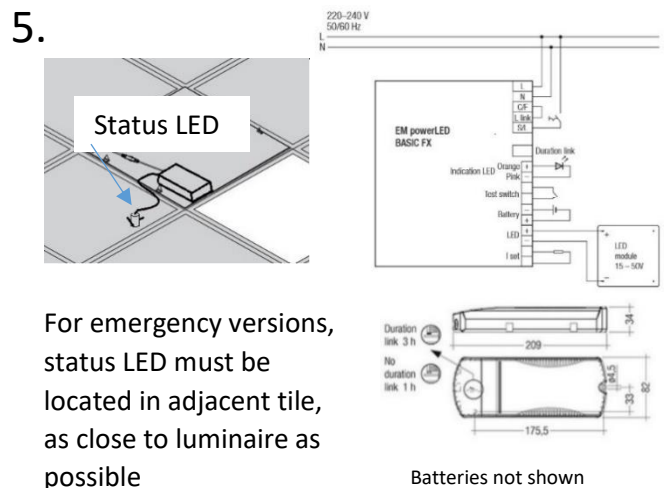
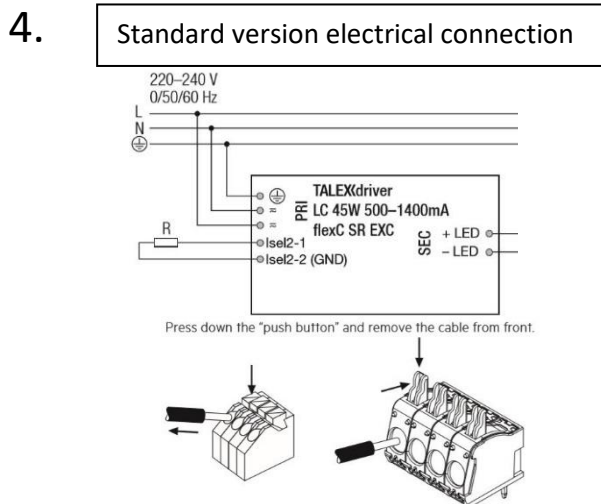
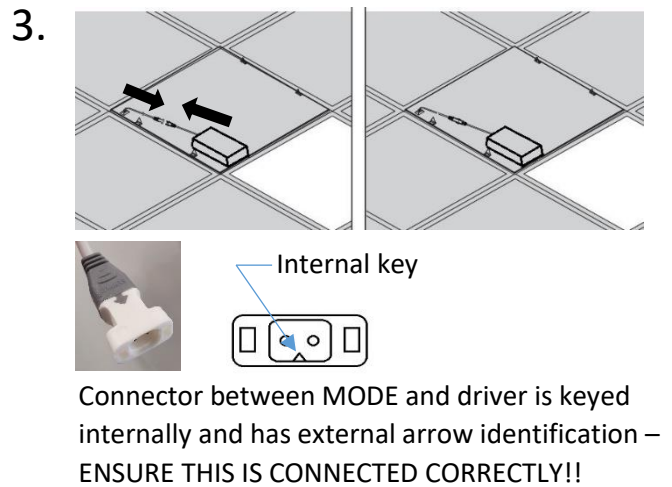
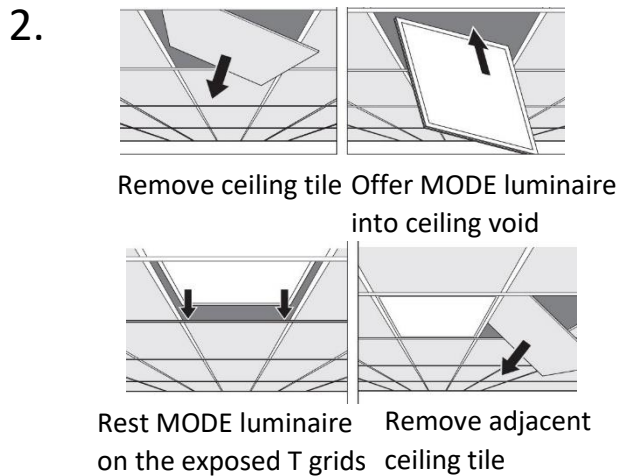
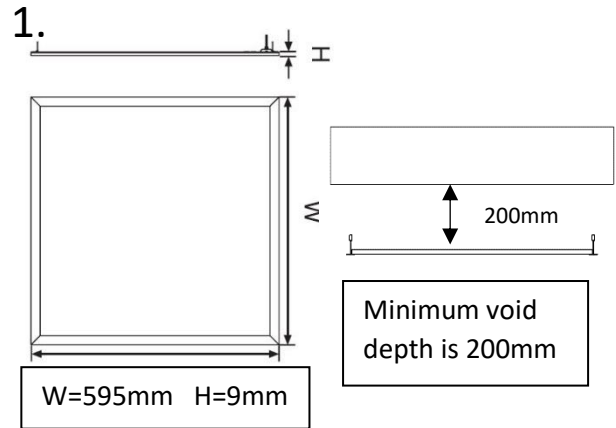
220-240V / 50-60Hz
IP20
IK03



WARNING: Luminaire must be earthed. Risk of electric shock from LED boards if operated with cover removed. Installation / operation outside of luminaires intended scope invalidates warranty. Suitable only for domestic / light industrial / industrial applications within the scope of EN55015. Tested to compliance with BSEN 60598: specification for general requirements and tests. Must be installed by a suitably qualified person in accordance with all relevant legislation. Ambient operating temperature of 0°C to 25°C. If maximum operating temperature is exceeded luminaire will automatically dim / switch off. Terminal blocks are rated to 16A unless stated otherwise. The light source contained in this luminaire shall only be replaced by the manufacturer or his service agent or a similar qualified person. **LUMINAIRES WITH EMERGENCY PACK:** When supply is isolated battery output terminals may be live if battery is connected. Isolate mains and battery before servicing. Emergency luminaires require unswitched live connection taken from same phase as switched supply. When unswitched supply is connected status indicator illuminates green, when unswitched supply is disconnected indicator extinguishes and luminaire operates in emergency mode. 24 hour charge period required before undertaking full discharge test. Emergency test sheets provided should be used to record all emergency tests. Batteries should be replaced when 3 hour duration is not met. Excessive switching of permanent live may result in premature battery failure. Battery electrolyte can be harmful to eyes / open wounds, do not puncture, if electrolyte touches skin / eyes flush with water. Do not incinerate batteries.

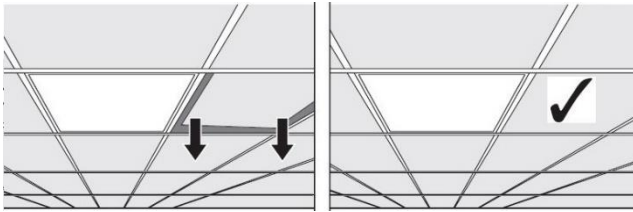
| Terminal Labelling: | |
|---------------------|--------------------------------|
| Power | |
| L1 | Switched Live |
| E | Earth |
| N | Neutral |
| Emergency | |
| L2 | Unswitched Live |
| DA/AT3 | DALI Autotest |
| DA/AT3 | DALI Autotest |
| Dimming | |
| -/D1/DA | Analogue/DSI/DALI |
| +/D2/DA | Analogue/DSI/DALI |
| L3 | Switch Dim / Corridor Function |

With colour switching versions, C83/65, power must be isolated before changing colour temperature to avoid damage to the luminaire or control gear.



MOD Edge Installation

6.



Replace ceiling tile once installation and wiring is completed – test for operation!

7.

Maintenance

- ① Disconnect luminaire before undertaking any maintenance or cleaning.
- ② Cleaning should be undertaken on external parts of the luminaire only using a slightly damp lint free cloth.
- ③ Luminaire is a non-serviceable product. Disconnect driver from luminaire to replace.
- ④ Please contact Dextra for assistance with spare component supply.

