

# PRODUCT SPECIFICATION

---

MULTI-LINE



---

## INTRODUCTION

---

The Multi-Line has been developed to offer retailers a cost effective alternative to traditional extruded aluminium trunking systems. Manufactured from robust formed steel the 3m long sections are joined via integrated splice brackets which help to maintain system rigidity and alignment. Designed for rapid installation each section is supplied fully assembled out of the box with a pre-fitted wiring loom and a high transmission curved diffuser optic. They are available with either a 4 pole or 6 pole 1.5mm<sup>2</sup> double insulated male/female wiring loom allowing for dual switching, emergency and dimming control. Available in a variety of lumen outputs and with optional integral lithium emergency this simple yet effective system blends traditional materials with the latest LED technology and cutting edge optical control, delivering a cost effective solution with outstanding performance that's quick to install.

We offer a range of wireless control systems providing localised grouping and control as well as comprehensive wireless solutions allowing both standard and emergency luminaires to be centrally monitored.



CE IP20 TM21: L90>60K HOURS / L80>90K HOURS 3 STEP MACADAM ELLIPSE

---

## APPLICATION

---

- Retail

---

## SPECIFICATION

---

### CONSTRUCTION

- Housing: 0.7mm CR4 steel
- Finish: Polyester powder painted BS 00E55 matt white 60% gloss
- Diffuser: 2mm extruded high transmission opal polycarbonate
- IP20

### PERFORMANCE

- Part L2 compliant
- 3SCDM Three step Macadams ellipse
- TM21: L90>60K Hours / L80>90K Hours
- Up to 150 luminaire lumens per circuit Watt.

### ENVIRONMENTAL

- Designed to allow simple replacement of components with commonly available tools in compliance with the Eco Design Directive, please see the installation leaflet for maintenance instructions.
- Powered by European branded drivers and emergency modules ensuring replacement parts are easily sourced.
- Every luminaire is labelled with a unique ID number allowing easy identification of spare parts for the lifetime of the product.
- Contains no single use plastics or polystyrene packaging.
- Supplied in plain card boxes with paper tape ensuring packaging is easily recycled.
- Designed to allow simple disassembly for end of life recycling.
- UK based manufacturing providing local support throughout the product lifetime and minimising transportation miles.

### EMERGENCY

- Available with optional standard, self test and autotest integral emergency with lithium batteries for extended warranty and lifetime.
- Optional Reacta-Link wireless emergency for automated centralised reporting.
- Optional Reacta-Control wireless emergency for automated centralised reporting.

### CONTROL

- Optional compatibility with a range of dimming systems including DALI, DSI and Switch Dimming
- Optional White tunable
- Optional integral Reacta-Link for integration with Reacta-Link wireless installations

### INSTALLATION

- Suitable for suspended installation
- Supplied with 4 or 6 pole 1.5mm loom
- This system is not suitable for mounting directly to the ceiling, it must be suspended.

### VARIATIONS

- Available with a wide range of colour temperatures and renderings
- Available in a range of housing sizes and lumen outputs

IMAGES

PRODUCT IMAGES

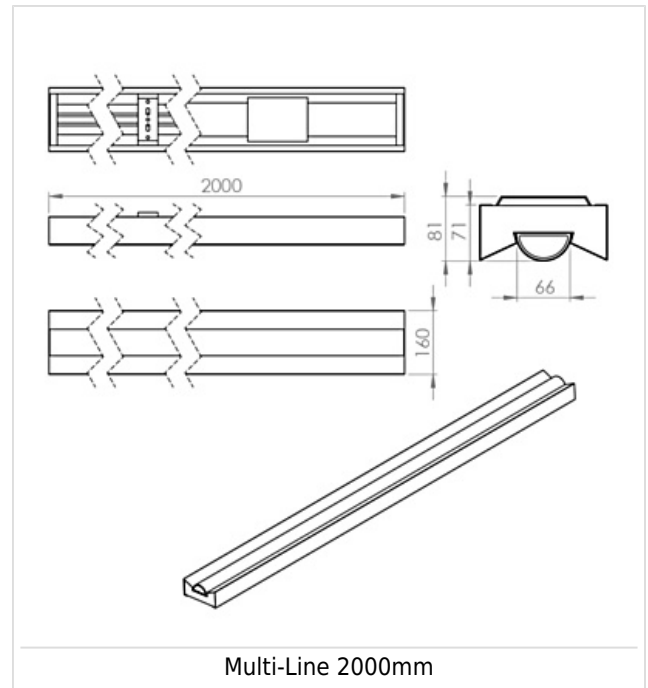
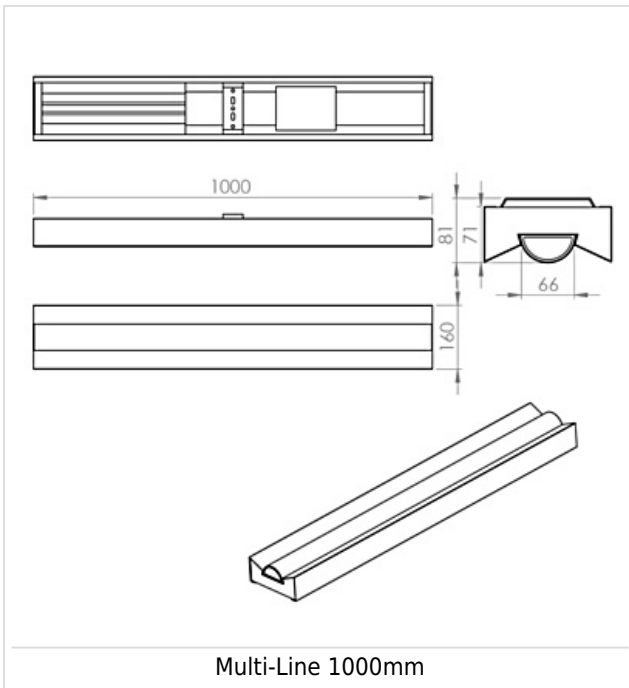


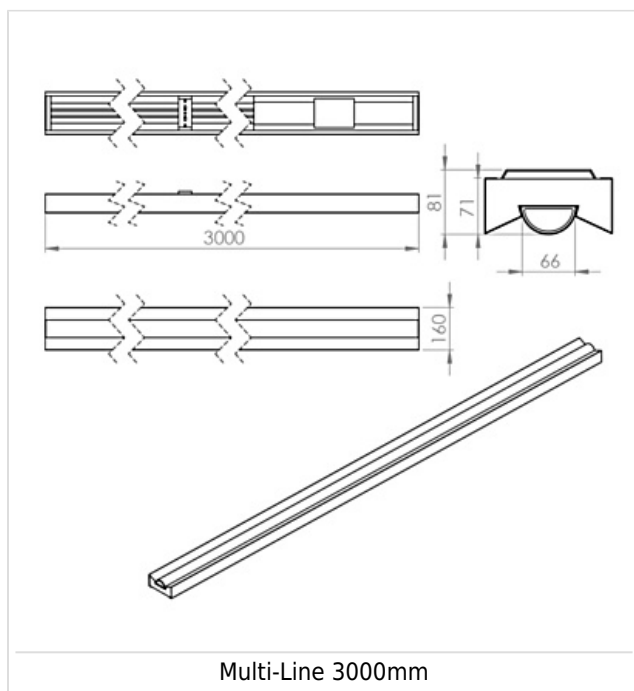
Multi-Line



Multi-Line 6 Pole Connector

TECHNICAL





## WARRANTY

At Dextra our commitment to service has been at the forefront throughout our history spanning more than forty years in the UK lighting market. Our service ethos extends beyond design and delivery, we believe supporting your installation throughout the warranty period is equally crucial, whilst the strength and longevity of Dextra Group provides peace of mind that our warranty will be supported throughout.

The Dextra range is supplied with a five year warranty commencing from the date of delivery. During the first three years defects will be repaired on site and the warranty will include both parts and labour. For the final two years drivers, emergency modules, wireless modules, sensors and LED circuits will be supplied free of charge to replace defective components, labour and other associated costs are not included.

Certain ranges and components are subject to exemptions:

- Lithium batteries are provided with a three year warranty for parts and labour. Nickel Metal Hydride and Nickel Cadmium batteries are provided with a one year warranty for parts and labour.
- Emergency luminaires including AME LED, EX1 LED, EX12 LED, EX1 Track, HBE LED, HBE2 LED, OAT2 LED, OEZ LED and Twinspot with Nickel Metal Hydride batteries are supplied with a one year warranty for parts and labour. Lithium variants of these ranges are supplied with a three year warranty for parts and labour with the exception of the AME2, EX13, HBE3 and TWS IP65 L7 ranges which are supplied with a one year parts and labour warranty. TWS IP65 L7 in autotest and wireless variants are supplied with the standard three year lithium battery warranty.
- Protec Micro, PTECF7 Fire Rated Downlights, Serenus and the Opus Sconce are provided with a five year replacement luminaire only warranty. Protec FR Fire Rated Downlights are provided with a 2 year replacement luminaire only warranty.
- Controls systems such as standalone sensors, switches, marshalling boxes and cabling are provided with a one year warranty for both parts and labour. DALI control systems are provided with a two year warranty for both parts and labour.

- LEDextra ranges are supplied with a three year parts or replacement luminaire only warranty with the exception of the IMPR RGBW, the Runway RGBW, the MOD RGBW and the Tanek RGBW. These three ranges are supplied with our standard five year warranty during which defects within the first three years will be repaired on site and the warranty includes both parts and labour. For the final two years free of charge replacement components only will be supplied to rectify any failures but labour and other associated costs are not included.
- LEDEX ranges are supplied with a three year replacement luminaire only warranty.
- The Decorative Pendant ranges, Bebo, Dene, Nova, Fino and Stix are supplied with a 3 year replacement luminaire only warranty.

All warranties are subject to correct use of the product and will be invalidated by misuse, for example incorrect installation, unsuitable environmental conditions or incorrect maintenance. It is the duty of the customer to ensure that all the fault lies with the luminaire prior to requesting replacement parts or site repairs. In the event that no defect is found with the product our costs for attending site will be recharged to the customer and credit will not be issued against returned products. No consequential losses incurred resulting from any defect with our product will be reimbursed.

Given the nature of LED technology a small percentage of LEDs may fail during the lifetime of a luminaire, this does not cause a reduction in lumen output. As such LED luminaires are only deemed to be faulty for warranty purposes when in excess of ten percent of LEDs have failed in a single luminaire

On site repair of products under warranty will be undertaken during normal working hours, 9am to 5pm Monday to Friday, and will require unrestricted access to luminaires. Where required Dextra will provide access equipment to carry out repairs at height, should luminaires have been installed in locations where reasonable provision for maintenance access has not been made we reserve the right to supply replacement product only.

If you require any assistance with regards to our products please contact our Customer Services department on 01747 858100.

[DOWNLOAD WARRANTY PDF](#)

## ORDER CODES

### LUMINAIRE

#### Continuous Run

Code	Description	Power	Llm/W
MLN 3L90 4TW OP	Multi-Line, 7,470lm C84, 3000mm, Opal Diffuser, 4 Pole Loom	52.7W	141
MLN 3L120 4TW OP	Multi-Line, 9,960lm C84, 3000mm, Opal Diffuser, 4 Pole Loom	73.0W	135
MLN 3L150 4TW OP	Multi-Line, 12,450lm C84, 3000mm, Opal Diffuser, 4 Pole Loom	82.9W	150
MLN 3L180 4TW OP	Multi-Line, 14,940lm C84, 3000mm, Opal Diffuser, 4 Pole Loom	103.3W	144
MLN 3L220 4TW OP	Multi-Line, 18,260lm C84, 3000mm, Opal Diffuser, 4 Pole Loom	130.0W	140

## End of Run

Code	Description	Power	Llm/W
MLN 2L60 4ER OP	Multi-Line, 4,980lm C84, 2000mm, Opal Diffuser, 4 Pole Loom	36.8W	135
MLN 2L80 4ER OP	Multi-Line, 6,640lm C84, 2000mm, Opal Diffuser, 4 Pole Loom	51.7W	128
MLN 2L100 4ER OP	Multi-Line, 8,300lm C84, 2000mm, Opal Diffuser, 4 Pole Loom	62.0W	133
MLN 2L120 4ER OP	Multi-Line, 9,960lm C84, 2000mm, Opal Diffuser, 4 Pole Loom	69.2W	143
MLN 2L147 4ER OP	Multi-Line, 12,201lm C84, 2000mm, Opal Diffuser, 4 Pole Loom	89.8W	135
MLN 1L30 4ER OP	Multi-Line, 2,490lm C84, 1000mm, Opal Diffuser, 4 Pole Loom	20.2W	123
MLN 1L40 4ER OP	Multi-Line, 3,320lm C84, 1000mm, Opal Diffuser, 4 Pole Loom	28.6W	116
MLN 1L50 4ER OP	Multi-Line, 4,150lm C84, 1000mm, Opal Diffuser, 4 Pole Loom	32.6W	127
MLN 1L60 4ER OP	Multi-Line, 4,980lm C84, 1000mm, Opal Diffuser, 4 Pole Loom	37.5W	132
MLN 1L73 4ER OP	Multi-Line, 6,062lm C84, 1000mm, Opal Diffuser, 4 Pole Loom	46.9W	129

## DIMMING

Code	Description
A	DALI Digital Addressable Lighting Interface
S	Switch Dimming
D	DSI Digital Dimming
H	HFR Analogue 1-10v

## CONTROL

Code	Description
RLI	Reacta-Link, Wireless Enabled Luminaire
RC	Reacta-Control, Wireless Enabled Luminaire

## EMERGENCY

Code	Description
LE3	Lithium Standard Emergency 3 Hour
LS3	Lithium Selftest Emergency 3 Hour
LA3	Lithium Autotest Emergency 3 Hour
LSTR	Lithium Reacta-Link Emergency 3 Hour
LA3RC	Lithium Reacta-Control Emergency 3 Hour
CB	Central Battery, Please Specify 50V, 110V or 230V when Ordering

\*Not available on 1000mm variants.

## MISCELLANEOUS

Code	Description
C**	Select Colour Temperature and Rendering; C83, C84, C85, C865, C93, C94
LSF	Low Smoke Zero Halogen
6TW	6 Pole 1.5mm <sup>2</sup> Wiring Loom c/w Male/Female Connectors
MLN 4P 5M START	4 Pole 5m 2.5mm <sup>2</sup> Starter Lead
MLN 6P 5M START	6 Pole 5m 2.5mm <sup>2</sup> Starter Lead
MLN 9P 5M START	9 Pole 5m 2.5mm <sup>2</sup> Starter Lead
MLN 5M SUSP 15KIT	5m Suspension Kit for 15mm Exposed Tee Bar
MLN 5M SUSP 24KIT	5m Suspension Kit for 24mm Exposed Tee Bar
MLN 5M SUSP GPLKIT	5m Suspension Kit for Purlin
MLN JOINING KIT	Multi-Line Joining Kit
MLN ENDCAP KIT	Pair of Finishing Endcaps