



# PRODUCT SPECIFICATION

---

INEAL 46 LENS



---

## INTRODUCTION

---

The Ineal 46 family of linear products has been created to offer retailers a discreet low profile solution for their ambient store lighting. Designed to mount directly onto three circuit or DALI lighting track the high quality extruded aluminium body measures just 46mm in width and is offered in matt black or white as standard. This version comes with the choice of a clear open area or retail symmetric custom lens diffuser which provides maximum efficiency with complete optical control, distributing the light effectively and evenly onto merchandise. The flexibility of the track adaptor allows you to re-position the fittings quickly and simply should there be any changes to the store layout further down the line. This unique product range is also available with integral emergency and offered in a wide range of lumen outputs across three luminaire lengths.

We offer a range of wireless control systems providing localised grouping and control as well as comprehensive wireless solutions allowing both standard and emergency luminaires to be centrally monitored.



CE IP20 TM21: L90>60K HOURS / L80>90K HOURS 3 STEP MACADAM ELLIPSE

---

## APPLICATION

---

- Accent Lighting
- Display Lighting

- 
- › Retail
- 

## SPECIFICATION

---

### CONSTRUCTION

- › Housing: Extruded aluminium
- › Finish: Polyester powder painted BS 00E55 matt white 60% gloss
- › Finish: Polyester powder painted RAL 9005 matt black
- › Finish: White, grey or black bezels
- › Endcaps: Injection moulded polycarbonate
- › Lens: Injection moulded polycarbonate lens
- › IP20
- › IP40

### PERFORMANCE

- › Part L2 compliant
- › 3SCDM Three step Macadams ellipse
- › TM21: L90>60K Hours / L80>90K Hours
- › Up to 162 luminaire lumens per circuit Watt.

### ENVIRONMENTAL

- › Designed to allow simple replacement of components with commonly available tools in compliance with the Eco Design Directive, please see the installation leaflet for maintenance instructions.
- › Powered by European branded drivers and emergency modules ensuring replacement parts are easily sourced.
- › Every luminaire is labelled with a unique ID number allowing easy identification of spare parts for the lifetime of the product.
- › Contains no single use plastics or polystyrene packaging.
- › Supplied in plain card boxes with paper tape ensuring packaging is easily recycled.
- › Designed to allow simple disassembly for end of life recycling.
- › UK based manufacturing providing local support throughout the product lifetime and minimising transportation miles.

### EMERGENCY

- › Available with optional standard, self test and autotest integral emergency with lithium batteries for extended warranty and lifetime.
- › Optional Reacta-Link wireless emergency for automated centralised reporting.
- › Optional Reacta-Control wireless emergency for automated centralised reporting.

## CONTROL

- Optional DALI dimming
- Optional integral Reacta-Link for integration with Reacta-Link wireless installations
- Optional integral Reacta-Control for integration with Reacta-Control wireless installations

## INSTALLATION

- Suitable for three circuit track installation

## VARIATIONS

- Available with a wide range of colour temperatures and renderings
- Available in a range of housing sizes and lumen outputs
- Available in white or black finishes

## IMAGES

### PRODUCT IMAGES



Ineal Lens Black



Ineal Lens White

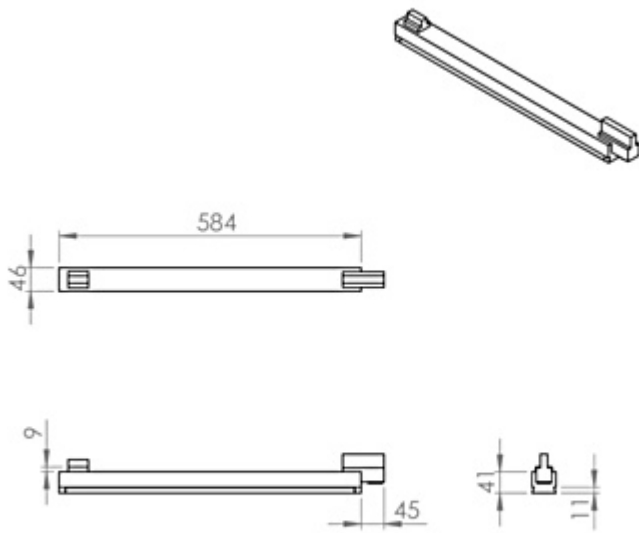
### PROJECT IMAGES





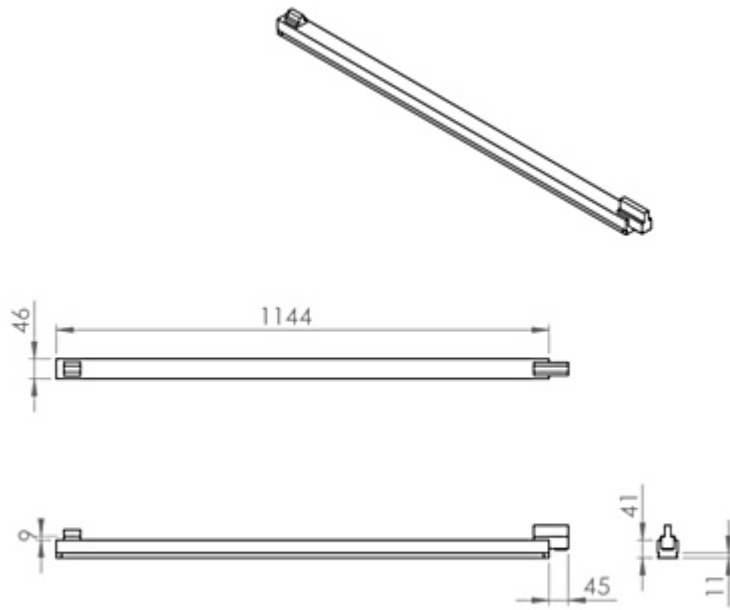
TECHNICAL

>

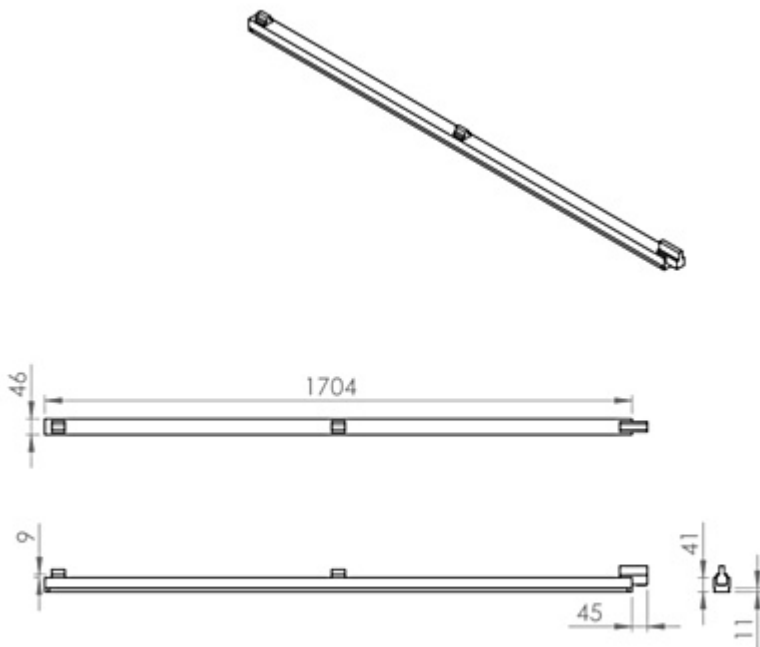


Ineal 46 Lens 584mm

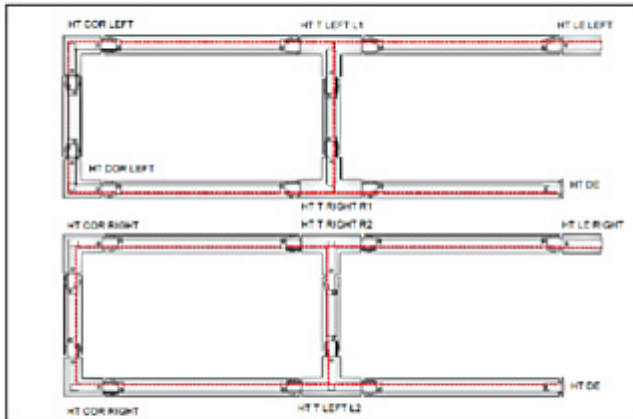
>



Ineal 46 Lens 1144mm



Ineal 46 Lens 1704mm



Track Polarity

## WARRANTY

At Dextra our commitment to service has been at the forefront throughout our history spanning more than forty years in the UK lighting market. Our service ethos extends beyond design and delivery, we believe supporting your installation throughout the warranty period is equally crucial, whilst the strength and longevity of Dextra Group provides peace of mind that our warranty will be supported throughout.

The Dextra range is supplied with a five year warranty commencing from the date of delivery. During the first three years defects will be repaired on site and the warranty will include both parts and labour. For the final two years drivers, emergency modules, wireless modules, sensors and LED circuits will be supplied free of charge to replace defective components, labour and other associated costs are not included.

Certain ranges and components are subject to exemptions:

- Lithium batteries are provided with a five year warranty. During the first three years defects will be repaired on site and the warranty will include both parts and labour. For the final two years replacement batteries will be supplied free of charge to replace defective components. Five year warranty became effective as of 03/02/25, Lithium emergency luminaires supplied prior to this date are supported with a three year on site warranty only. Labour and other associated costs are not included. Nickel Metal Hydride and Nickel Cadmium batteries are provided with a one year warranty for parts and labour.

- Emergency luminaires including AME LED, EXI LED, EXI2 LED, EXI Track, HBE LED, HBE2 LED, OAT2 LED, OEZ LED and Twinspot with Nickel Metal Hydride batteries are supplied with a one year warranty for parts and labour. Lithium variants of these ranges are supplied with a three year warranty for parts and labour with the exception of the AME2, EXI3, HBE3 and TWS IP65 L7 ranges which are supplied with a one year parts and labour warranty. TWS IP65 L7 in autotest and wireless variants are supplied with the standard three year lithium battery warranty.
- Protec Micro, PTECF7 Fire Rated Downlights, Serenus and the Opus Sconce are provided with a five year replacement luminaire only warranty. Protec FR Fire Rated Downlights are provided with a 2 year replacement luminaire only warranty.
- Controls systems such as standalone sensors, switches, marshalling boxes and cabling are provided with a one year warranty for both parts and labour. DALI control systems are provided with a two year warranty for both parts and labour.
- LEDextra ranges are supplied with a three year parts or replacement luminaire only warranty with the exception of the IMPR RGBW, the Runway RGBW, the MOD RGBW, Tanek RGBW and the DexRing. These five ranges are supplied with our standard five year warranty during which defects within the first three years will be repaired on site and the warranty includes both parts and labour. For the final two years free of charge replacement components only will be supplied to rectify any failures but labour and other associated costs are not included.
- LEDEX ranges are supplied with a three year replacement luminaire only warranty.
- The Decorative Pendant ranges, Bebo, Dene, Nova, Fino and Stix are supplied with a 3 year replacement luminaire only warranty.

All warranties are subject to correct use of the product and will be invalidated by misuse, for example incorrect installation, unsuitable environmental conditions or incorrect maintenance. It is the duty of the customer to ensure that all the fault lies with the luminaire prior to requesting replacement parts or site repairs. In the event that no defect is found with the product our costs for attending site will be recharged to the customer and credit will not be issued against returned products. No consequential losses incurred resulting from any defect with our product will be reimbursed.

Given the nature of LED technology a small percentage of LEDs may fail during the lifetime of a luminaire, this does not cause a reduction in lumen output. As such LED luminaires are only deemed to be faulty for warranty purposes when in excess of ten percent of LEDs have failed in a single luminaire.

On site repair of products under warranty will be undertaken during normal working hours, 9am to 5pm Monday to Friday, and will require unrestricted access to luminaires. Where required Dextra will provide access equipment to carry out repairs at height, should luminaires have been installed in locations where reasonable provision for maintenance access has not been made we reserve the right to supply replacement product only. On site warranty repairs will only be undertaken on the mainland of the UK and Ireland, in all other locations replacement product only will be provided.

**If you require any assistance with regards to our products please contact our Customer Services department on 01747 858100.**



## ORDER CODES

## LUMINAIRE

Code	Description	Power	Llm/W
INEL L22 OA GB	Ineal 46, 584mm, 2,127lIm, Open Area, Colour 84, Global	13.7W	153
INEL L26 OA GB	Ineal 46, 1144mm, 2,515lIm, Open Area, Colour 84, Global	15.4W	163
INEL L38 OA GB	Ineal 46, 1144mm, 3,675lIm, Open Area, Colour 84, Global	21.5W	171
INEL L45 OA GB	Ineal 46, 1704mm, 4,352lIm, Open Area, Colour 84, Global	24.2W	180
INEL L65 OA GB	Ineal 46, 1704mm, 6,286lIm, Open Area, Colour 84, Global	34.3W	183
INEL L90 OA GB	Ineal 46, 1704mm, 8,703lIm, Open Area, Colour 84, Global	47.3W	184
INEL L22 RS GB	Ineal 46, 584mm, 2,108lIm, Symmetrical, Colour 84, Global	13.7W	154
INEL L26 RS GB	Ineal 46, 1144mm, 2,490lIm, Symmetrical, Colour 84, Global	15.4W	162
INEL L38 RS GB	Ineal 46, 1144mm, 3,640lIm, Symmetrical, Colour 84, Global	21.5W	169
INEL L45 RS GB	Ineal 46, 1704mm, 4,311lIm, Symmetrical, Colour 84, Global	24.2W	178
INEL L65 RS GB	Ineal 46, 1704mm, 6,225lIm, Symmetrical, Colour 84, Global	34.3W	181
INEL L90 RS GB	Ineal 46, 1704mm, 8,622lIm, Symmetrical, Colour 84, Global	47.3W	182

## DIMMING

Code	Description
A	DALI Digital Addressable Lighting Interface

## EMERGENCY

Code	Description
LE3	Lithium Standard Emergency 3 Hour
LS3	Lithium Selftest Emergency 3 Hour
LA3	Lithium Autotest Emergency 3 Hour
LSTR	Lithium Reacta-Link Emergency 3 Hour
LA3RC	Lithium Reacta-Control Emergency 3 Hour

Emergency only available in DALI variants of 1144 and 1704mm length

## MISCELLANEOUS

Code	Description
C**	Select Colour Temperature and Rendering; C83, C84, C85, C865, C93, C94
BL	Black Finish
LSF	Low Smoke Zero Halogen

220-240V / 50-60Hz  
IP20



**WARNING:** Luminaire must be earthed. Risk of electric shock from LED boards if operated with cover removed. Installation / operation outside of luminaires intended scope invalidates warranty. Suitable only for domestic / light industrial / industrial applications within the scope of EN55015. Tested to compliance with BSEN 60598: specification for general requirements and tests. Must be installed by a suitably qualified person in accordance with all relevant legislation. Ambient operating temperature of 0°C to 25°C. If maximum operating temperature is exceeded luminaire will automatically dim / switch off. Terminal blocks are rated to 16A unless stated otherwise. The light source contained in this luminaire shall only be replaced by the manufacturer or his service agent or a similar qualified person. **LUMINAIRES WITH EMERGENCY PACK:** When supply is isolated battery output terminals may be live if battery is connected. Isolate mains and battery before servicing. Emergency luminaires require unswitched live connection taken from same phase as switched supply. When unswitched supply is connected status indicator illuminates green, when unswitched supply is disconnected indicator extinguishes and luminaire operates in emergency mode. 24 hour charge period required before undertaking full discharge test. Emergency test sheets provided should be used to record all emergency tests. Batteries should be replaced when 3 hour duration is not met. Excessive switching of permanent live may result in premature battery failure. Battery electrolyte can be harmful to eyes / open wounds, do not puncture, if electrolyte touches skin / eyes flush with water. Do not incinerate batteries.

**Terminal Labelling:**

**Power**

L1 Switched Live  
E Earth  
N Neutral

**Emergency**

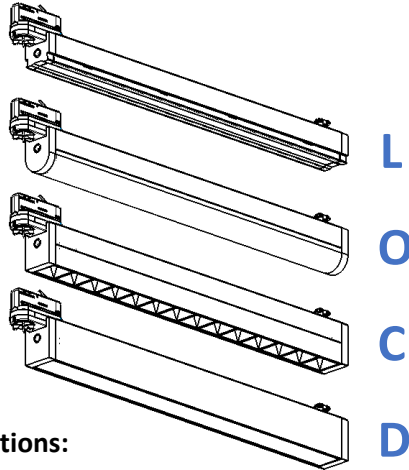
L2 Unswitched Live  
DA/AT3 DALI Autotest  
DA/AT3 DALI Autotest

**Dimming**

-/D1/DA Analogue/DSI/DALI  
+/D2/DA Analogue/DSI/DALI  
L3 Switch Dim / Corridor Function



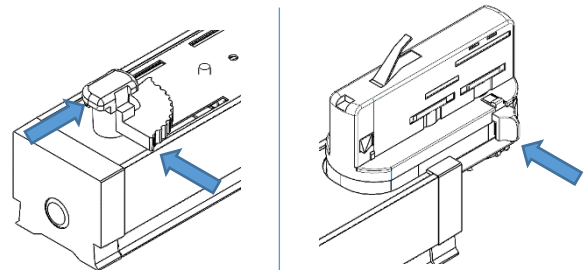
1.



All variations:

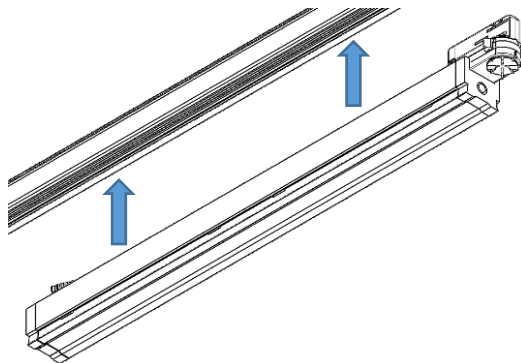
2.

**Installation for standard fittings ONLY:**



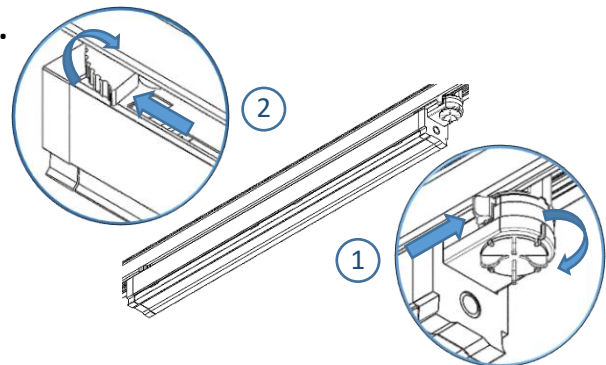
Ensure the quarter turn is aligned correctly and located on the same side as the locking pin for the track adaptor.

3.



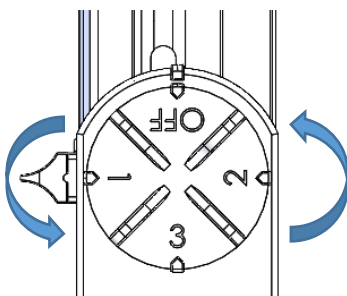
Offer the luminaire up to the track. Ensure both the track adaptor and quarter turn are pushed inside the track.

4.



(1) Rotate the lever to lock the track adaptor in place.  
(2) Now that it's locked, rotate the quarter turn by 90 degrees.

5.

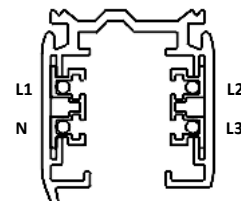


Rotate to select the desired circuit.

6.

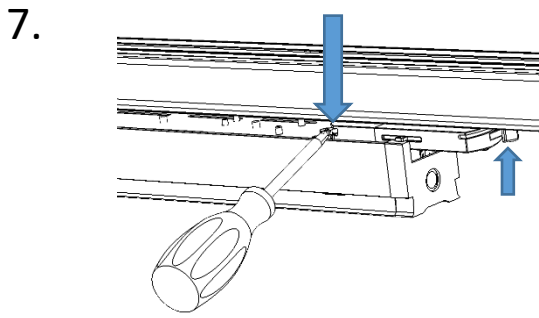
**Installation for DALI emergency fittings ONLY:**

L1 = Switched Live  
L2 = Unswitched Live  
L3 = Not required  
N = Neutral

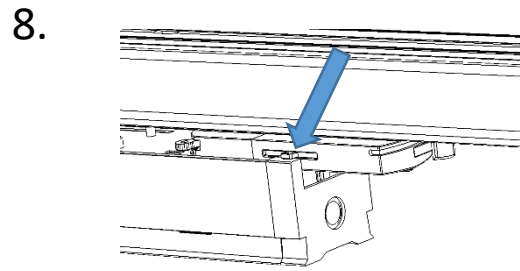


When installing a DALI emergency fitting, please ensure the global track is configured as shown above.

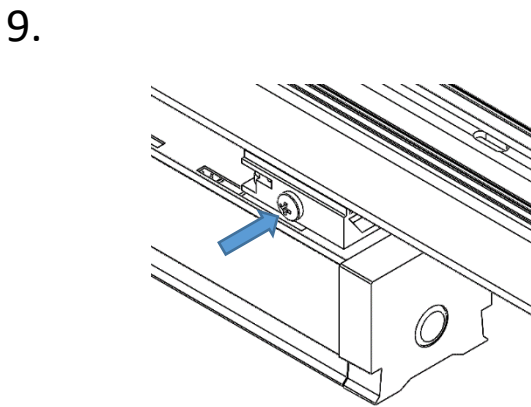
**Ineal 46 Installation**



7. Rotate the two levers to lock the **DALI** adaptor to the track. You may require a tool to rotate the lever.



8. Once locked adjust lever to select the desired circuit.



9. **EMERGENCY FITTINGS ONLY:** Rotate the lever then insert the locking screw into the mechanical lock.

10.

**Moving the luminaire**

If the luminaire needs to be moved at any point, ensure the track adaptor is unlocked and the corresponding quarter turn/mechanical lock(s) are disengaged.

This will prevent any damage to the luminaire.

Maintenance

Disconnect luminaire before undertaking any maintenance or cleaning.

Cleaning should be undertaken on external parts of the luminaire only using a slightly damp lint free cloth.

This is a non-user serviceable part please contact Dextra for assistance.