

# PRODUCT SPECIFICATION

---

INDECO



---

## INTRODUCTION

---

The Indeco is designed to provide the quickest and simplest installation of any product in the Dextra range by combining the trunking, electrical system and quick release luminaires in a single range.

The Indeco trunking is available in 4.5M, 3M and 1.5M lengths with either 6 pole or 4 pole through wire looms, each loom has a socket connector at 1.5M intervals with a corresponding connector on the rear of the luminaire housing. Each trunking length connects to the next with a simple splice plate and plug and socket connector allowing installation of the trunking with no need to wire electrical connections, the luminaires can then be installed in the required positions with twist lock mounting clips and plug and socket electrical connections. The trunking itself is mounted with snap on sprung steel clips ensuring that the entire system can be installed without tools or wiring of electrical connections except for a single connection at the beginning of each trunking run.

The luminaires can be continuously run or spaced as required with snap in infill covers between, this combines with a wide range of lumen outputs and lensed or opal diffusers ensuring installations can be configured precisely to ensure effective lighting with a minimum of energy consumption. Lithium emergency, dimming and wireless variants are also available ensuring that the Indeco system can fulfil all requirements for safety, energy efficiency and reporting.

We offer a range of wireless control systems providing localised grouping and control as well as comprehensive wireless solutions allowing both standard and emergency luminaires to be centrally monitored.

**UK  
CA** CE IP20 TM21: L90>60K HOURS / L80>90K HOURS 3 STEP MACADAM ELLIPSE

---

## APPLICATION

---

- Retail
- Transport
- Warehouse / Storage

---

## SPECIFICATION

---

### CONSTRUCTION

- Housing: Extruded aluminium
- Finish: Polyester powder painted BS 00E55 matt white 60% gloss
- Finish: Polyester powder painted RAL 9006 matt grey
- Finish: Polyester powder painted RAL 9005 matt black
- Endcaps: Injection moulded polycarbonate
- Diffuser: 2mm extruded high transmission opal polycarbonate
- Lens: Injection moulded PMMA lens
- IP20

### PERFORMANCE

- Part L2 compliant
- 3SCDM Three step Macadams ellipse
- TM21: L90>60K Hours / L80>90K Hours
- Up to 163 luminaire lumens per circuit Watt.

### ENVIRONMENTAL

- Designed to allow simple replacement of components with commonly available tools in compliance with the Eco Design Directive, please see the installation leaflet for maintenance instructions.
- All critical components are mounted on a single tray for simple end of life repair or upgrade.
- Powered by European branded drivers and emergency modules ensuring replacement parts are easily sourced.
- Every luminaire is labelled with a unique ID number allowing easy identification of spare parts for the lifetime of the product.
- Contains no single use plastics or polystyrene packaging.
- Supplied in plain card boxes with paper tape ensuring packaging is easily recycled.
- Designed to allow simple disassembly for end of life recycling.
- UK based manufacturing providing local support throughout the product lifetime and minimising transportation miles.

### EMERGENCY

- Available with optional standard, self test and autotest integral emergency with lithium batteries for extended warranty and lifetime.
- Optional Reacta-Link wireless emergency for automated centralised reporting.
- Optional Reacta-Control wireless emergency for automated centralised reporting.

- Optional central battery changeover relay

#### CONTROL

- Optional compatibility with a range of dimming systems including DALI, DSI and Switch Dimming
- Optional Integral R44 presence and daylight sensor
- Optional Integral Reacta-Air wireless presence and daylight regulations sensor
- Optional integral Reacta-Link for integration with Reacta-Link wireless installations
- Optional integral Reacta-Control for integration with Reacta-Control wireless installations

#### INSTALLATION

- Suitable for suspended installation
- Trunking pre-wired with 4 or 6 pole 2.5mm loom with socket connectors allowing installation of luminaires at 1500mm intervals.
- Tool-less assembly for both electrical and mechanical installation.
- Trunking pre-assembled with splice plates and up to 4500mm lengths providing rapid installation.
- Snap on suspension brackets for quick mounting.

#### VARIATIONS

- Available with a wide range of colour temperatures and renderings
- Available in a range of lumen outputs
- Available in white, black or grey finishes

---

## IMAGES

---

#### PRODUCT IMAGES



Trunking Continuous Trays



Trays with Infill



Indeco Tray



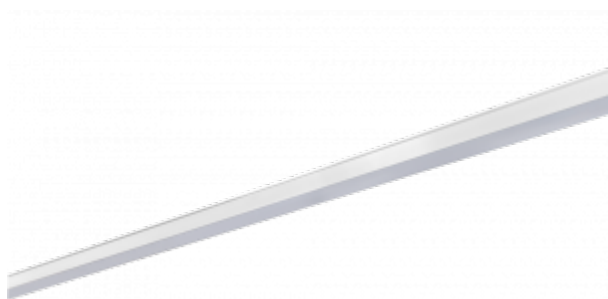
Trunking



Trays with Infill White



Indeco Tray White



Trunking with Infill White



Indeco Lens Version



Indeco Lens Version



Indeco Starter Pod



Trunking Endcap



Suspension Bracket

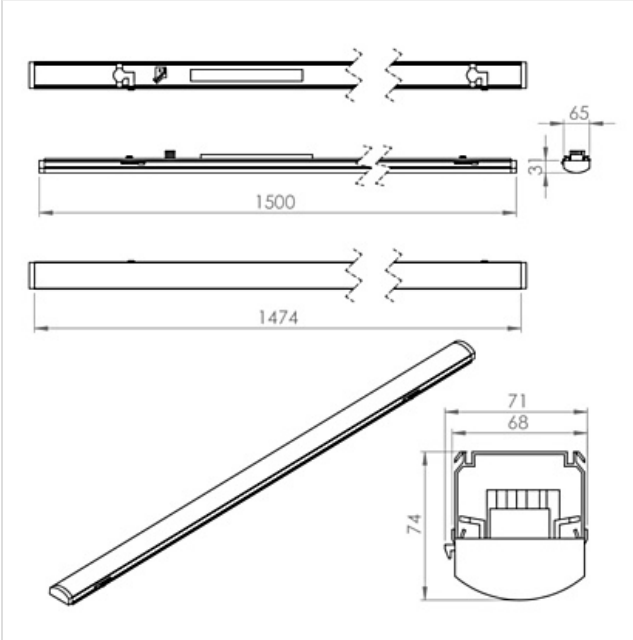


Tray Insertion

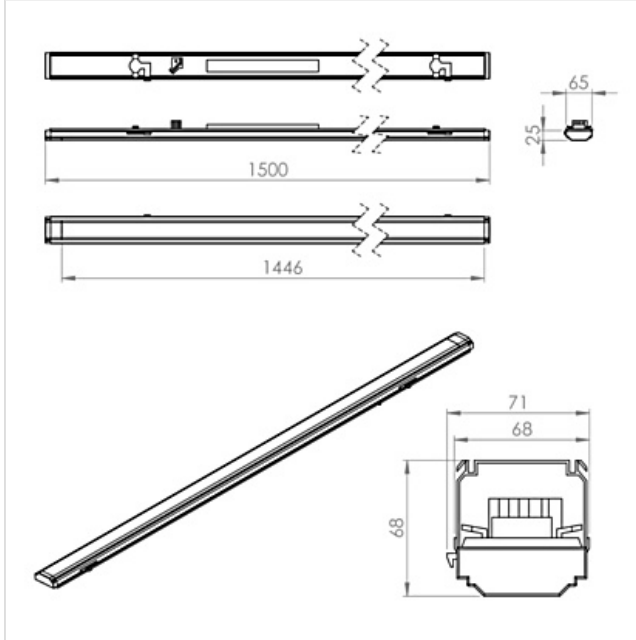
PROJECT IMAGES



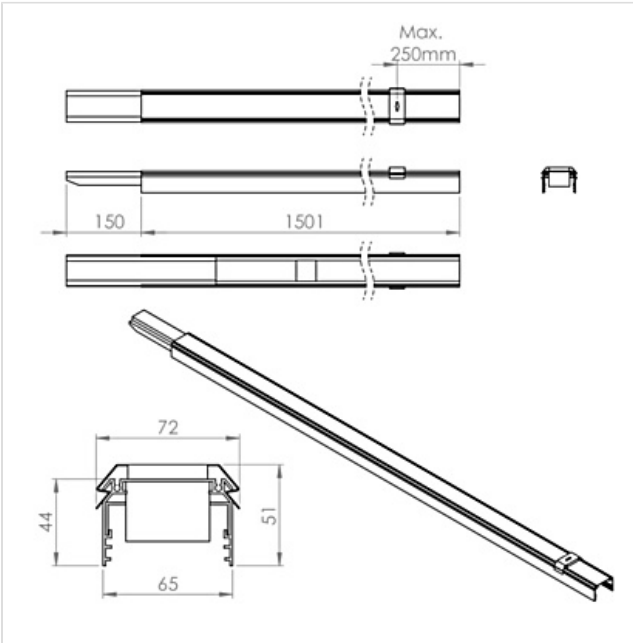
TECHNICAL



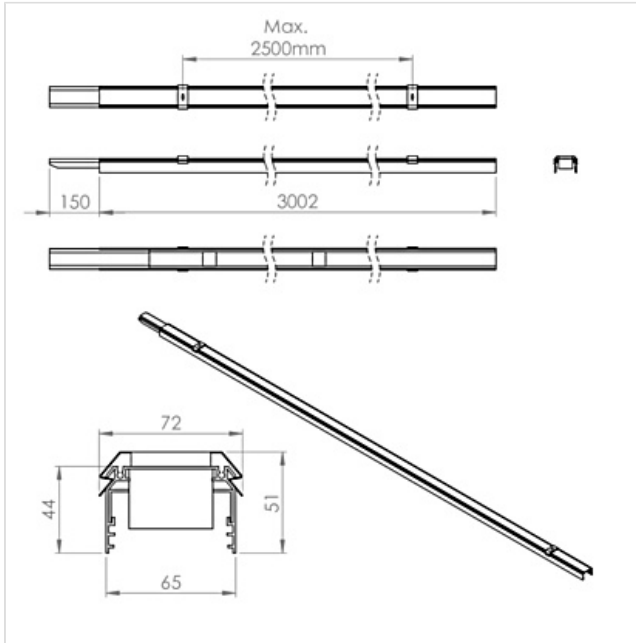
1500mm Opal Non-Sensor Tray



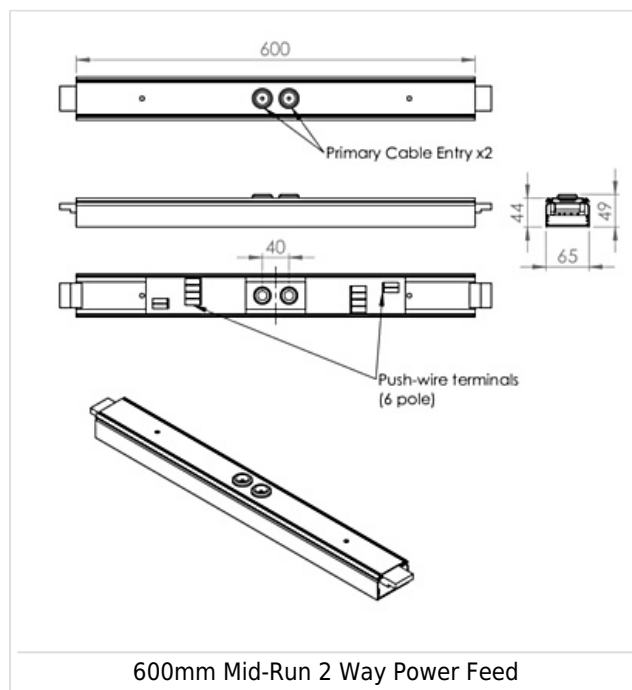
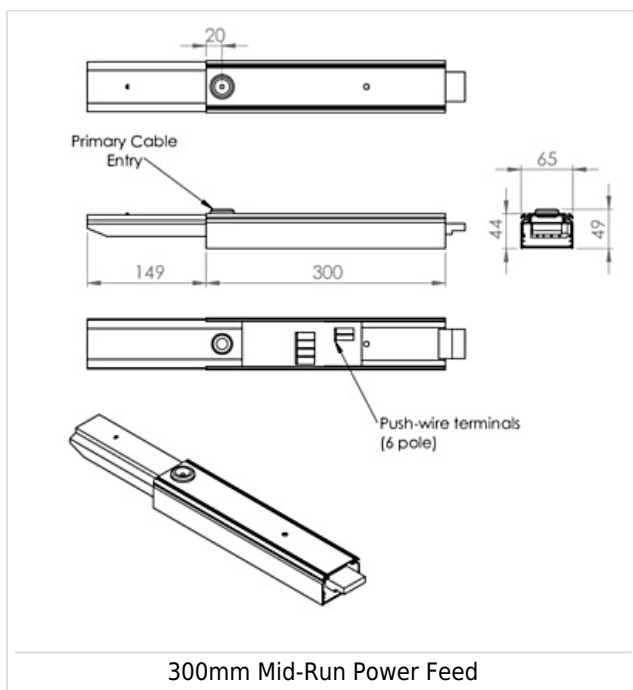
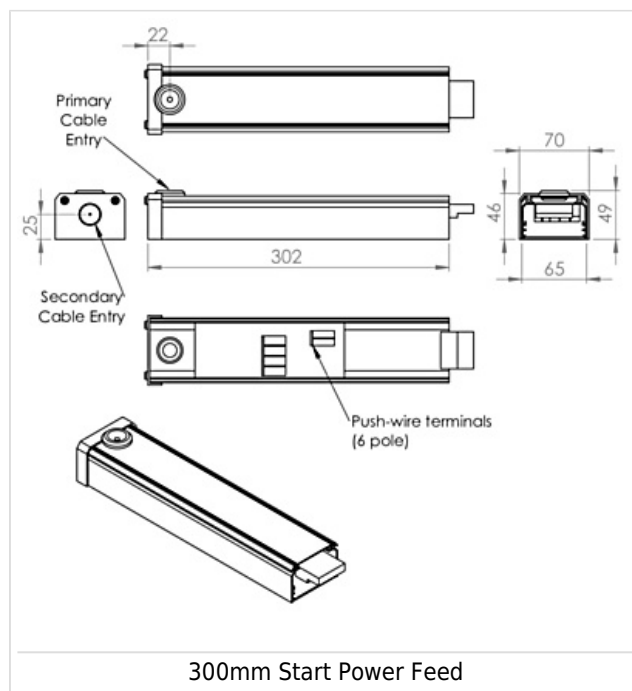
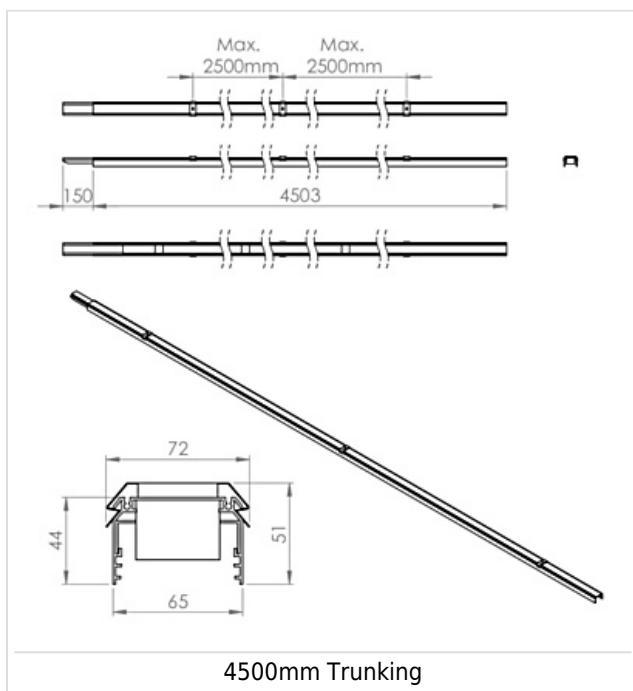
1500mm Lensed Non-Sensor Tray



1500mm Trunking



3000mm Trunking



## WARRANTY

At Dextra our commitment to service has been at the forefront throughout our history spanning more than forty years in the UK lighting market. Our service ethos extends beyond design and delivery, we believe supporting your installation throughout the warranty period is equally crucial, whilst the strength and longevity of Dextra Group provides peace of mind that our warranty will be supported throughout.

The Dextra range is supplied with a five year warranty commencing from the date of delivery. During the first three years



defects will be repaired on site and the warranty will include both parts and labour. For the final two years drivers, emergency modules, wireless modules, sensors and LED circuits will be supplied free of charge to replace defective components, labour and other associated costs are not included.

Certain ranges and components are subject to exemptions:

- Lithium batteries are provided with a three year warranty for parts and labour. Nickel Metal Hydride and Nickel Cadmium batteries are provided with a one year warranty for parts and labour.
- Emergency luminaires including AME LED, EXI LED, EXI2 LED, EXI Track, HBE LED, HBE2 LED, OAT2 LED, OEZ LED and Twinspot with Nickel Metal Hydride batteries are supplied with a one year warranty for parts and labour. Lithium variants of these ranges are supplied with a three year warranty for parts and labour with the exception of the AME2, EXI3, HBE3 and TWS IP65 L7 ranges which are supplied with a one year parts and labour warranty. TWS IP65 L7 in autotest and wireless variants are supplied with the standard three year lithium battery warranty.
- Protec Micro, PTECF7 Fire Rated Downlights, Serenus and the Opus Sconce are provided with a five year replacement luminaire only warranty. Protec FR Fire Rated Downlights are provided with a 2 year replacement luminaire only warranty.
- Controls systems such as standalone sensors, switches, marshalling boxes and cabling are provided with a one year warranty for both parts and labour. DALI control systems are provided with a two year warranty for both parts and labour.
- LEDextra ranges are supplied with a three year parts or replacement luminaire only warranty with the exception of the IMPR RGBW, the Runway RGBW, the MOD RGBW and the Tanek RGBW. These three ranges are supplied with our standard five year warranty during which defects within the first three years will be repaired on site and the warranty includes both parts and labour. For the final two years free of charge replacement components only will be supplied to rectify any failures but labour and other associated costs are not included.
- LEDEX ranges are supplied with a three year replacement luminaire only warranty.
- The Decorative Pendant ranges, Bebo, Dene, Nova, Fino and Stix are supplied with a 3 year replacement luminaire only warranty.

All warranties are subject to correct use of the product and will be invalidated by misuse, for example incorrect installation, unsuitable environmental conditions or incorrect maintenance. It is the duty of the customer to ensure that all the fault lies with the luminaire prior to requesting replacement parts or site repairs. In the event that no defect is found with the product our costs for attending site will be recharged to the customer and credit will not be issued against returned products. No consequential losses incurred resulting from any defect with our product will be reimbursed.

Given the nature of LED technology a small percentage of LEDs may fail during the lifetime of a luminaire, this does not cause a reduction in lumen output. As such LED luminaires are only deemed to be faulty for warranty purposes when in excess of ten percent of LEDs have failed in a single luminaire

On site repair of products under warranty will be undertaken during normal working hours, 9am to 5pm Monday to Friday, and will require unrestricted access to luminaires. Where required Dextra will provide access equipment to carry out repairs at height, should luminaires have been installed in locations where reasonable provision for maintenance access has not been made we reserve the right to supply replacement product only.

If you require any assistance with regards to our products please contact our Customer Services department on 01747 858100.

[DOWNLOAD WARRANTY PDF](#)

## ORDER CODES

## LUMINAIRE

Code	Description	Power	Llm/W
IND L35 OP	Indeco 1500mm, 3,010llm, Opal	21.4W	140
IND L45 OP	Indeco 1500mm, 3,870llm, Opal	27.2W	142
IND L54 OP	Indeco 1500mm, 4,644llm, Opal	31.4W	147
IND L63 OP	Indeco 1500mm, 5,418llm, Opal	37.2W	145
IND L80 OP	Indeco 1500mm, 6,880llm, Opal	44.9W	153
IND L96 OP	Indeco 1500mm, 8,256llm, Opal	56.3W	146
IND L35 OA	Indeco 1500mm, 3,245llm, Open Area	22.2W	146
IND L45 OA	Indeco 1500mm, 4,172llm, Open Area	26.2W	159
IND L54 OA	Indeco 1500mm, 5,006llm, Open Area	31.8W	157
IND L63 OA	Indeco 1500mm, 5,840llm, Open Area	37.1W	157
IND L80 OA	Indeco 1500mm, 7,415llm, Open Area	44.9W	165
IND L96 OA	Indeco 1500mm, 8,899llm, Open Area	55.5W	160
IND L120 OA	Indeco 1500mm, 11,124llm, Open Area	71.1W	156
IND L150 OA	Indeco 1500mm, 14,580llm, Open Area	93.6W	155
IND L35 HR	Indeco 1500mm, 3,308llm, High Rack	22.2W	149
IND L45 HR	Indeco 1500mm, 4,253llm, High Rack	26.2W	162
IND L54 HR	Indeco 1500mm, 5,103llm, High Rack	31.8W	160
IND L63 HR	Indeco 1500mm, 5,954llm, High Rack	37.1W	160
IND L80 HR	Indeco 1500mm, 7,560llm, High Rack	44.9W	168
IND L96 HR	Indeco 1500mm, 9,072llm, High Rack	55.4W	163
IND L120 HR	Indeco 1500mm, 11,340llm, High Rack	71.1W	159
IND L150 HR	Indeco 1500mm, 14,175llm, High Rack	93.6W	151
IND 1500 4P	Indeco Trunking, 1500mm, 4 Pole		
IND 3000 4P	Indeco Trunking, 3000mm, 4 Pole		
IND 4500 4P	Indeco Trunking, 4500mm, 4 Pole		
IND 1500 6P	Indeco Trunking, 1500mm, 6 Pole		
IND 3000 6P	Indeco Trunking, 3000mm, 6 Pole		
IND 4500 6P	Indeco Trunking, 4500mm, 6 Pole		
IND START	Indeco Trunking Start Power Feed		
IND MID	Indeco Trunking Mid Run Power Feed		
IND 2 WAY	Indeco Trunking Mid Run Two Way Power Feed		
IND 1500 INFILL	1500mm Trunking Cover		
IND SUSP 3M LO	3M Suspension Kit Loop Over for Purlins		
IND EC	Trunking End Cap		
WH	White (please add to both tray and trunking if white is required)		

## DIMMING

Code	Description
A	DALI Digital Addressable Lighting Interface
D	DSI Digital Dimming
H	HFR Analogue 1-10v

## EMERGENCY

Code	Description
LE3	Lithium Standard Emergency 3 Hour
LS3	Lithium Selftest Emergency 3 Hour

LA3	Lithium Autotest Emergency 3 Hour
LSTR	Lithium Reacta-Link Emergency 3 Hour
LA3RC	Lithium Reacta-Control Emergency 3 Hour
Emergency not available with L150 variants.	

**MISCELLANEOUS**

Code	Description
C**	Select Colour Temperature and Rendering; C83, C84, C85, C865, C93, C94
LSF	Low Smoke Zero Halogen