



PRODUCT SPECIFICATION

GRADUATE RECESSED



INTRODUCTION

With a traditional gullwing design the Graduate Recessed is a popular choice in office and academic applications but is equally well suited to ancillary and circulation areas. With a wide range of options including lay in and pull up, 600×600 and 1200×600 and surface variants the Graduate is easily installed across entire projects regardless of ceiling type. This is complimented with a wide range of lumen outputs, dimming and white tunable options, integral sensors offering presence detection, daylight regulation and wireless grouping as well as integral lithium emergency. We offer a range of wireless control systems providing localised grouping and control as well as comprehensive wireless solutions allowing both standard and emergency luminaires to be centrally monitored.

The Graduate Recessed range has been tested to comply with TP(a) standards allowing the installation of this product in all areas with peace of mind.



CE IP20 TM21: L90>60K HOURS / L80>90K HOURS 3 STEP MACADAM ELLIPSE TP(a)

APPLICATION

- Canteen
- Commercial / Offices
- Corridor

- › Education
 - › Healthcare / Social Housing
 - › Hotel / Leisure
 - › Industrial / Manufacturing
 - › Office
 - › Retail
 - › Transport
 - › Warehouse / Storage
-

SPECIFICATION

CONSTRUCTION

- › Housing: 0.7mm CR4 steel
- › Finish: Polyester powder painted BS 00E55 matt white 60% gloss
- › Diffuser: 3mm extruded high transmission opal prismatic polycarbonate TP(a) rated
- › IP20
- › Adjustable optic allows for flush or semi recessed installation.

PERFORMANCE

- › Part L2 compliant
- › BSEN 12464-1:2011 3000 Candela 65° and UGR 19 compliance
- › 3SCDM Three step Macadams ellipse
- › TM21: L90>60K Hours / L80>90K Hours
- › Up to 140 luminaire lumens per circuit Watt.

ENVIRONMENTAL

- › Designed to allow simple replacement of components with commonly available tools in compliance with the Eco Design Directive, please see the installation leaflet for maintenance instructions.
- › Powered by European branded drivers and emergency modules ensuring replacement parts are easily sourced.
- › Every luminaire is labelled with a unique ID number allowing easy identification of spare parts for the lifetime of the product.
- › Contains no single use plastics or polystyrene packaging.
- › Supplied in plain card boxes with paper tape ensuring packaging is easily recycled.
- › Designed to allow simple disassembly for end of life recycling.
- › UK based manufacturing providing local support throughout the product lifetime and minimising transportation miles.

EMERGENCY

- Available with optional standard, self test and autotest integral emergency with lithium batteries for extended warranty and lifetime.
- Optional Reacta-Link wireless emergency for automated centralised reporting.
- Optional Reacta-Control wireless emergency for automated centralised reporting.
- Optional central battery changeover relay

CONTROL

- Optional compatibility with a range of dimming systems including DALI, DSI and Switch Dimming
- Optional White tunable
- Optional Integral Reacta-Air wireless presence and daylight regulations sensor
- Optional integral Reacta-Link for integration with Reacta-Link wireless installations
- Optional integral Reacta-Control for integration with Reacta-Control wireless installations

INSTALLATION

- Suitable for lay-in installation in exposed T ceilings
- Suitable for pull-up installation in concealed grid ceilings
- Suitable for plasterboard installation when purchased with the appropriate plasterboard kit
- Alugrid 08 and 16 compatible options available. Please see miscellaneous ordering codes.

VARIATIONS

- Available with a wide range of colour temperatures and renderings
- Available in a range of housing sizes and lumen outputs

IMAGES

PRODUCT IMAGES

Graduate Recessed 600x600



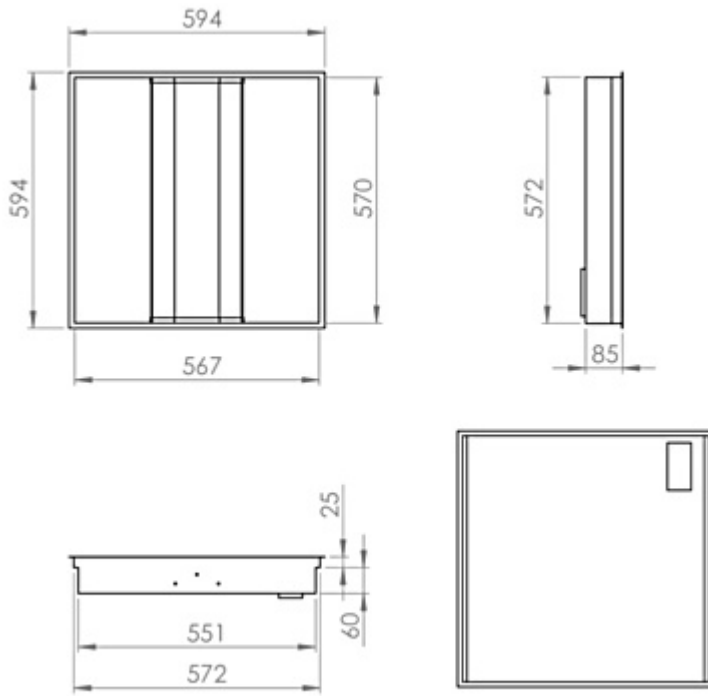
Graduate Recessed 600x600 Reacta-Air

PROJECT IMAGES

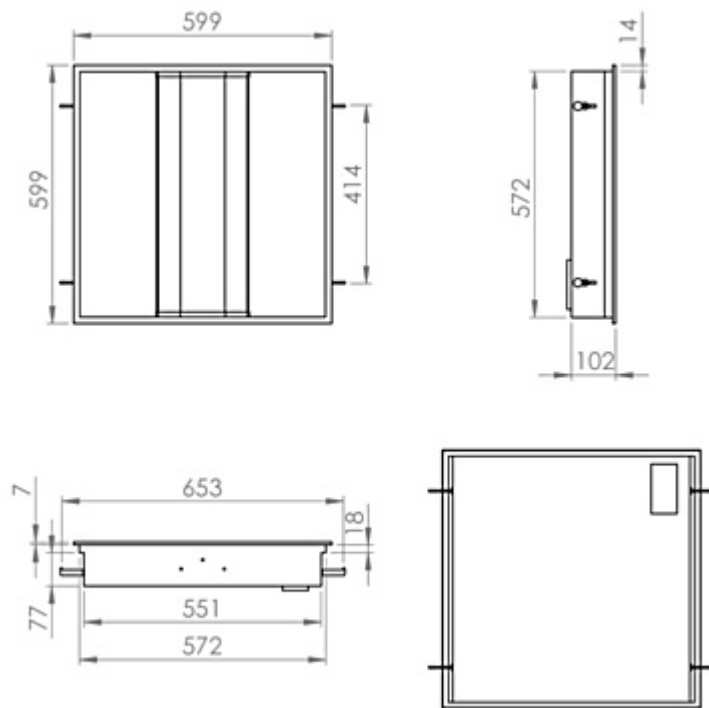


TECHNICAL

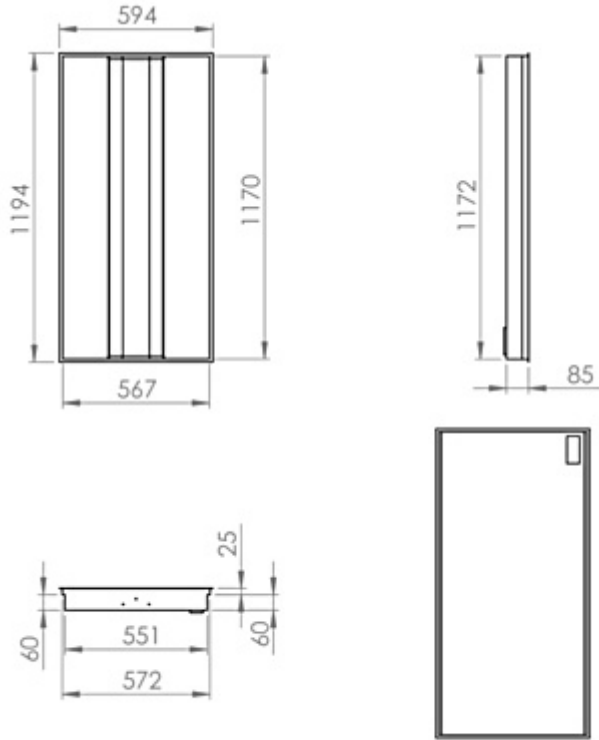




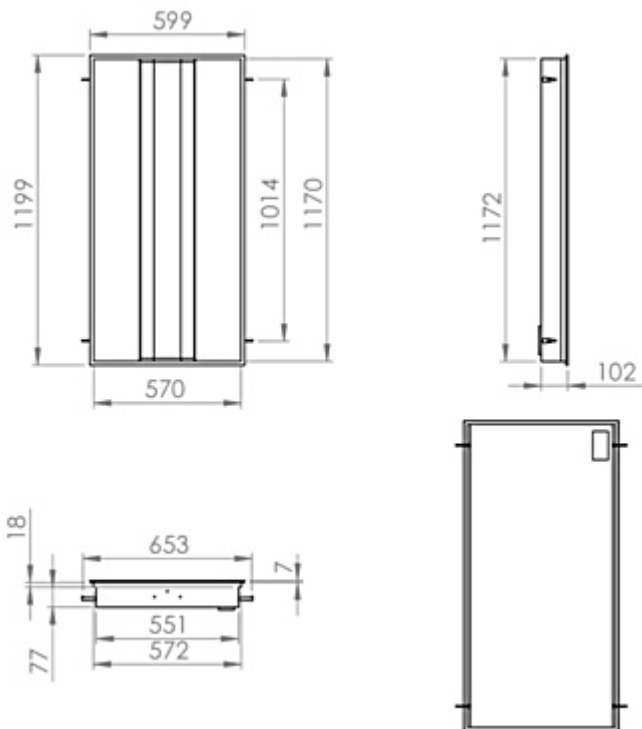
Graduate Lay-In 600x600



Graduate Pull-Up 600x600



Graduate Lay-In 1200x600



Graduate Pull-Up 1200x600

WARRANTY

At Dextra our commitment to service has been at the forefront throughout our history spanning more than forty years in the UK lighting market. Our service ethos extends beyond design and delivery, we believe supporting your installation throughout the warranty period is equally crucial, whilst the strength and longevity of Dextra Group provides peace of mind that our warranty will be supported throughout.

The Dextra range is supplied with a five year warranty commencing from the date of delivery. During the first three years defects will be repaired on site and the warranty will include both parts and labour. For the final two years drivers, emergency modules, wireless modules, sensors and LED circuits will be supplied free of charge to replace defective components, labour and other associated costs are not included.

Certain ranges and components are subject to exemptions:

- Lithium batteries are provided with a five year warranty. During the first three years defects will be repaired on site and the warranty will include both parts and labour. For the final two years replacement batteries will be supplied free of charge to replace defective components. Five year warranty became effective as of 03/02/25, Lithium emergency luminaires supplied prior to this date are supported with a three year on site warranty only. Labour and other associated costs are not included. Nickel Metal Hydride and Nickel Cadmium batteries are provided with a one year warranty for parts and labour.
- Emergency luminaires including AME LED, EXI LED, EXI2 LED, EXI Track, HBE LED, HBE2 LED, OAT2 LED, OEZ LED and Twinspot with Nickel Metal Hydride batteries are supplied with a one year warranty for parts and labour. Lithium variants of these ranges are supplied with a three year warranty for parts and labour with the exception of the AME2, EXI3, HBE3 and TWS IP65 L7 ranges which are supplied with a one year parts and labour warranty. TWS IP65 L7 in autotest and wireless variants are supplied with the standard three year lithium battery warranty.
- Protec Micro, PTECF7 Fire Rated Downlights, Serenus and the Opus Sconce are provided with a five year replacement luminaire only warranty. Protec FR Fire Rated Downlights are provided with a 2 year replacement luminaire only warranty.
- Controls systems such as standalone sensors, switches, marshalling boxes and cabling are provided with a one year warranty for both parts and labour. DALI control systems are provided with a two year warranty for both parts and labour.
- LEDextra ranges are supplied with a three year parts or replacement luminaire only warranty with the exception of the IMPR RGBW, the Runway RBGW, the MOD RGBW, Tanek RGBW and the DexRing. These five ranges are supplied with our standard five year warranty during which defects within the first three years will be repaired on site and the warranty includes both parts and labour. For the final two years free of charge replacement components only will be supplied to rectify any failures but labour and other associated costs are not included.
- LEDEX ranges are supplied with a three year replacement luminaire only warranty.

- The Decorative Pendant ranges, Bebo, Dene, Nova, Fino and Stix are supplied with a 3 year replacement luminaire only warranty.

All warranties are subject to correct use of the product and will be invalidated by misuse, for example incorrect installation, unsuitable environmental conditions or incorrect maintenance. It is the duty of the customer to ensure that all the fault lies with the luminaire prior to requesting replacement parts or site repairs. In the event that no defect is found with the product our costs for attending site will be recharged to the customer and credit will not be issued against returned products. No consequential losses incurred resulting from any defect with our product will be reimbursed.

Given the nature of LED technology a small percentage of LEDs may fail during the lifetime of a luminaire, this does not cause a reduction in lumen output. As such LED luminaires are only deemed to be faulty for warranty purposes when in excess of ten percent of LEDs have failed in a single luminaire.

On site repair of products under warranty will be undertaken during normal working hours, 9am to 5pm Monday to Friday, and will require unrestricted access to luminaires. Where required Dextra will provide access equipment to carry out repairs at height, should luminaires have been installed in locations where reasonable provision for maintenance access has not been made we reserve the right to supply replacement product only. On site warranty repairs will only be undertaken on the mainland of the UK and Ireland, in all other locations replacement product only will be provided.

If you require any assistance with regards to our products please contact our Customer Services department on 01747 858100.

ORDER CODES

LUMINAIRE

Pull Up

Code	Description	Power	lIm/W
GRDP L19 OPTPA	Graduate, Pull Up, 600x600, 1,502lIm, Opal Diffuser, Colour 84	13.3W	113
GRDP L24 OPTPA	Graduate, Pull Up, 600x600, 1,897lIm, Opal Diffuser, Colour 84	15.2W	125
GRDP L38 OPTPA	Graduate, Pull Up, 600x600, 2,950lIm, Opal Diffuser, Colour 84	25.4W	116
GRDP L48 OPTPA	Graduate, Pull Up, 600x600, 3,725lIm, Opal Diffuser, Colour 84	30.6W	122
GRDP L57 OPTPA	Graduate, Pull Up, 600x600, 4,424lIm, Opal Diffuser, Colour 84	32.5W	136
GRDP L76 OPTPA	Graduate, Pull Up, 600x600, 5,899lIm, Opal Diffuser, Colour 84	42.2W	140
GRDP 126 L38 OPTPA	Graduate, Pull Up, 1200x600, 3,090lIm, Opal Diffuser, Colour 84	25.3W	122
GRDP 126 L48 OPTPA	Graduate, Pull Up, 1200x600, 3,904lIm, Opal Diffuser, Colour 84	30.6W	128
GRDP 126 L76 OPTPA	Graduate, Pull Up, 1200x600, 6,182lIm, Opal Diffuser, Colour 84	45.1W	137
GRDP 126 L96 OPTPA	Graduate, Pull Up, 1200x600, 7,708lIm, Opal Diffuser, Colour 84	53.5W	144

Lay In

Code	Description	Power	Llm/W
GRDR L19 OPTPA	Graduate, Lay In, 600x600, 1,502llm, Opal Diffuser, Colour 84	13.3W	113
GRDR L24 OPTPA	Graduate, Lay In, 600x600, 1,897llm, Opal Diffuser, Colour 84	15.2W	125
GRDR L38 OPTPA	Graduate, Lay In, 600x600, 2,950llm, Opal Diffuser, Colour 84	25.4W	116
GRDR L48 OPTPA	Graduate, Lay In, 600x600, 3,725llm, Opal Diffuser, Colour 84	30.6W	122
GRDR L57 OPTPA	Graduate, Lay In, 600x600, 4,424llm, Opal Diffuser, Colour 84	32.5W	136
GRDR L76 OPTPA	Graduate, Lay In, 600x600, 5,899llm, Opal Diffuser, Colour 84	42.2W	140
GRDR 126 L38 OPTPA	Graduate, Lay In, 1200x600, 3,090llm , Opal Diffuser, Colour 84	25.3W	122
GRDR 126 L48 OPTPA	Graduate, Lay In, 1200x600, 3,904llm, Opal Diffuser, Colour 84	30.6W	128
GRDR 126 L76 OPTPA	Graduate, Lay In, 1200x600, 6,182llm, Opal Diffuser, Colour 84	45.1W	137
GRDR 126 L96 OPTPA	Graduate, Lay In, 1200x600, 7,708llm, Opal Diffuser, Colour 84	53.5W	144

For Alugrid compatible versions please specify lay-in luminaire with correct ALU suffix shown in miscellaneous ordering codes

DIMMING

Code	Description
A	DALI Digital Addressable Lighting Interface
S	Switch Dimming
D	DSI Digital Dimming
H	HFR Analogue 1-10v
C	Bi-Level Dimming For Standalone Switched Sensor
WT	White Tunable (Lumen Outputs Vary from Standard)

[Please click here for full details on our white tunable offer.](#)

CONTROL

Code	Description
RAS	Reacta-Air Bluetooth, Wireless, Presence & Daylight, 2.5-3M
RLI	Reacta-Link, Wireless Enabled Luminaire
RLS	Reacta-Link Wireless, Presence & Daylight, 2.5M-5M
RC	Reacta-Control, Wireless Enabled Luminaire
RCS	Reacta-Control Wireless, Presence & Daylight, 2.5-4M

[Please click here for full details on our wireless controls.](#)

EMERGENCY

Code	Description
LE3	Lithium Standard Emergency 3 Hour
LS3	Lithium Selftest Emergency 3 Hour
LA3	Lithium Autotest Emergency 3 Hour
LSTR	Lithium Reacta-Link Emergency 3 Hour
LA3RC	Lithium Reacta-Control Emergency 3 Hour

MISCELLANEOUS

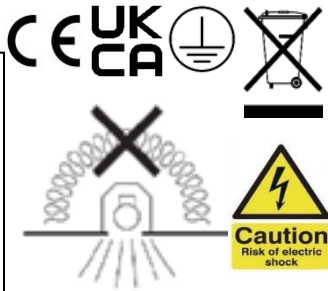
Code	Description
C**	Select Colour Temperature and Rendering; C83, C84, C85, C865, C93, C94
AH25	Air Handling, 25 litres per second
NL	Night Light (Non Emergency Variants Only)
LSF	Low Smoke Zero Halogen
ALU16	Alugrid 15/16 Ceiling Compatible
ALU08	Alugrid 15/08 Ceiling Compatible

Graduate Recessed (Pull-Up and Lay-In) Installation

220-240V / 50-60Hz
IP20

Terminal Labelling:

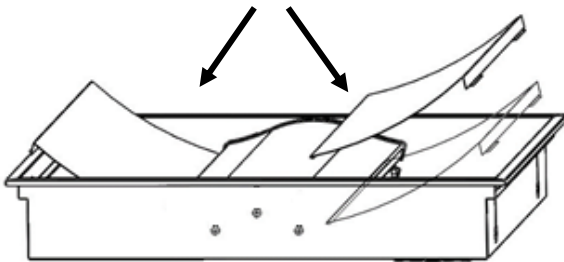
Power	
L1	Switched Live
E	Earth
N	Neutral
Emergency	
L2	Unswitched Live
DA/AT3	DALI Autotest
DA/AT3	DALI Autotest
Dimming	
-/D1/DA	Analogue/DSI/DALI
+/D2/DA	Analogue/DSI/DALI
L3	Switch Dim / Corridor Function



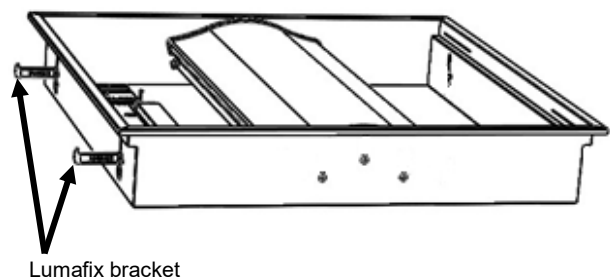
WARNING: Luminaire must be earthed. Risk of electric shock from LED boards if operated with cover removed. Installation / operation outside of luminaires intended scope invalidates warranty. Suitable only for domestic / light industrial / industrial applications within the scope of EN55015. Tested to compliance with BSEN 60598: specification for general requirements and tests. Must be installed by a suitably qualified person in accordance with all relevant legislation. Ambient operating temperature of 0°C to 25°C. If maximum operating temperature is exceeded luminaire will automatically dim / switch off. Terminal blocks are rated to 16A unless stated otherwise. The light source contained in this luminaire shall only be replaced by the manufacturer or his service agent or a similar qualified person. **LUMINAIRES WITH EMERGENCY PACK:** When supply is isolated battery output terminals may be live if battery is connected. Isolate mains and battery before servicing. Emergency luminaires require unswitched live connection taken from same phase as switched supply. When unswitched supply is connected status indicator illuminates green, when unswitched supply is disconnected indicator extinguishes and luminaire operates in emergency mode. 24 hour charge period required before undertaking full discharge test. Emergency test sheets provided should be used to record all emergency tests. Batteries should be replaced when 3 hour duration is not met. Excessive switching of permanent live may result in premature battery failure. Battery electrolyte can be harmful to eyes / open wounds, do not puncture, if electrolyte touches skin / eyes flush with water. Do not incinerate batteries.

1. Installation for Pull-up version

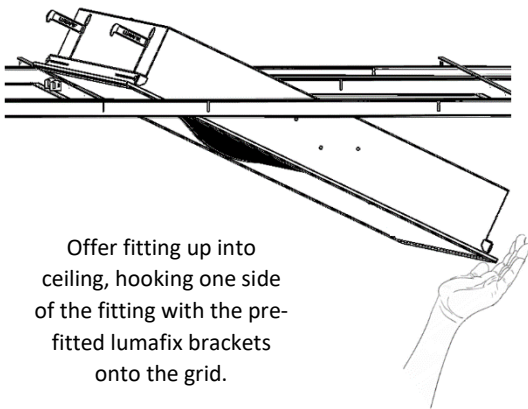
Remove both reflectors.



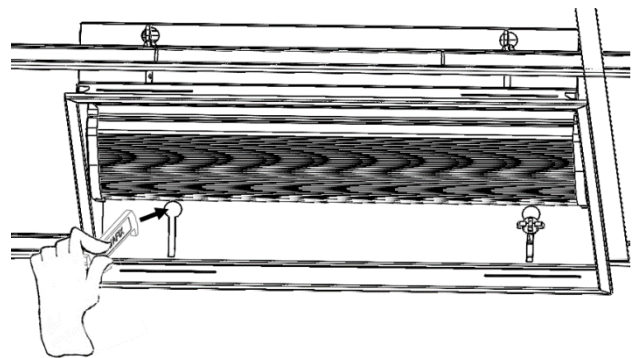
2. Pre-install x2 of the lumafix brackets to one side of the fitting.



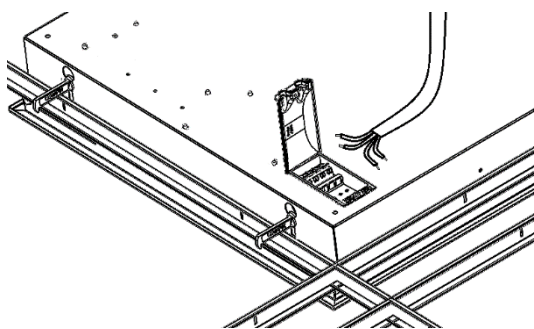
3. Offer fitting up into ceiling, hooking one side of the fitting with the pre-fitted lumafix brackets onto the grid.



4. Install remaining lumafix brackets. Adjust positions as needed.

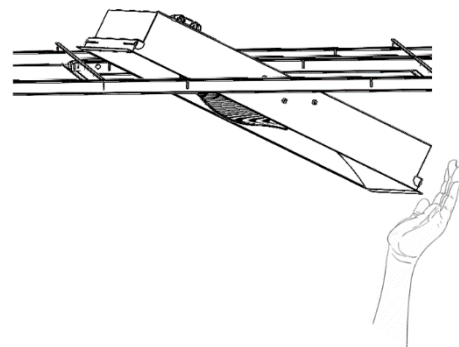


5. Wire the mains cable to the terminal block. Replace the reflectors. Installation complete.



6. Installation for Lay-in version

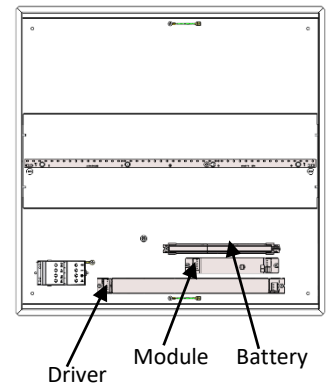
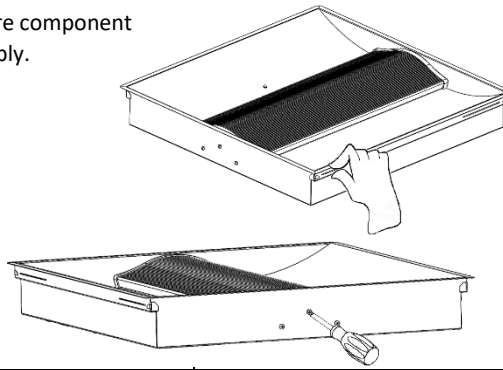
Install fitting up into ceiling grid, then wire mains into terminal block. Installation complete



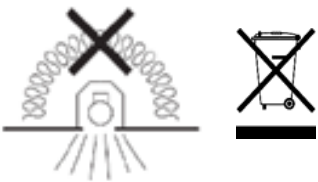
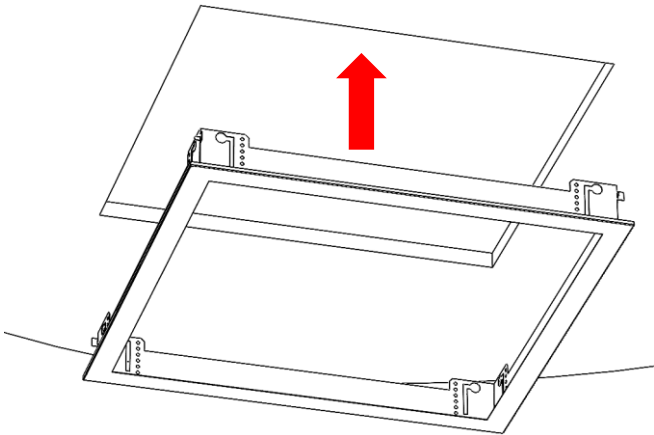
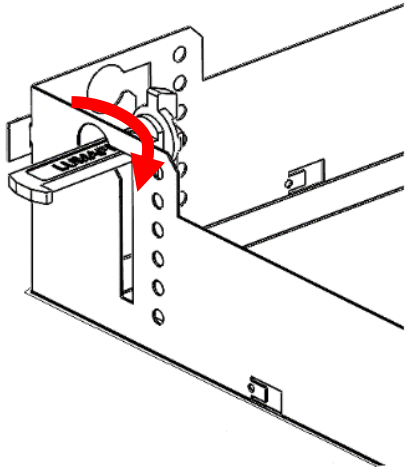
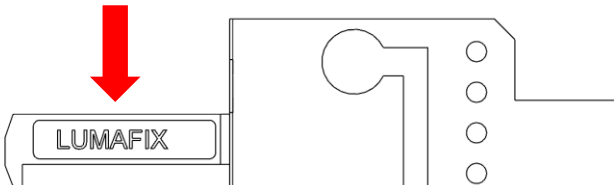
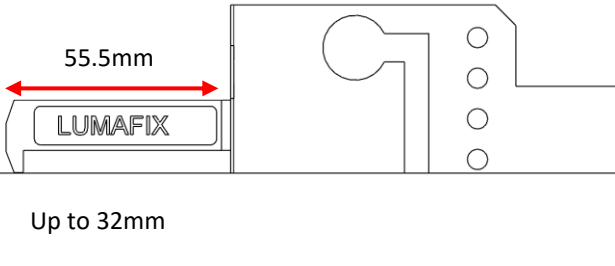
Graduate Recessed (Pull-Up and Lay-In) Installation

Maintenance

- 1 Disconnect luminaire before undertaking any maintenance or cleaning.
- 2 Cleaning should be undertaken on external parts only using a slightly damp lint free cloth.
- 3 To remove reflectors, push on tabs to release.
- 4 Use a pan pozi screwdriver to remove LED tray and diffuser.
- 5 To remove components use a pan pozi screwdriver.
- 6 Please contact Dextra for assistance with spare component supply.

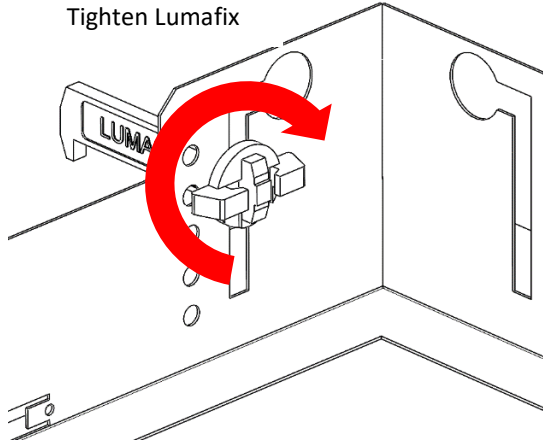


Plasterboard Kit Installation

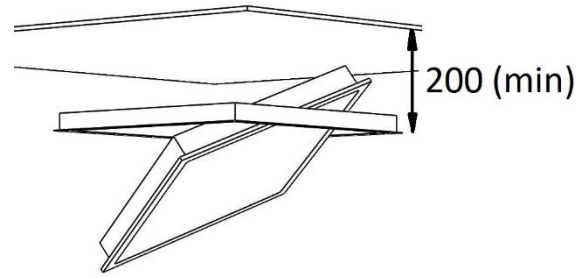
<p>IP20</p> 	
<p>1. For use with lay-in luminaires</p> <p>Cut out sizes:</p> <p>600x600 PBK = 612x612mm</p> <p>1200x600 PBK = 1212x612mm</p> <p>1200x300 PBK = 1212x312mm</p>	<p>2. Compatible fittings:</p> <ul style="list-style-type: none"> Rubini Recessed Modular Rubix Recessed Rubix Flush MOD Office MOD Slim MOD UGR MOD Curve MOD Caelus Dual Dual Square Arcus Flush Arcus Duo Arcus Mono
<p>3.</p> 	<p>4.</p> 
<p>5.</p> 	<p>6.</p>  <p>55.5mm</p> <p>Up to 32mm</p> <p>Ceilings with thickness up to 32mm</p>

Plasterboard Kit Installation

7. Tighten Lumafix



8.



Luminaire is designed to simply lift and tilt in to aperture resting on back of plasterboard kit.
NOTE Minimum void to install.