



PRODUCT SPECIFICATION

GRADUATE



INTRODUCTION

The Graduate is a mainstay of the Dextra range and has been extensively used in academia and healthcare applications nationwide. Available in four lengths ranging from 600mm to 1800mm, a wide range of lumen outputs as well as dimming and lithium emergency options the Graduate can be tailored for use in applications ranging from classrooms and hospital wards through to circulation and ancillary areas. With a steel housing, polycarbonate diffuser and screw retained injection moulded end caps, long life drivers and LEDs with a lifetime of L90 to 60,000 operating hours the Graduate is designed to offer excellent service life and reliability with minimal maintenance.

The Graduate is suitable for installation on conduit, surface mounting or suspension and can be offered with an optional integral microwave sensor, or the Reacta-Air sensor where wireless grouping of luminaires is required for simultaneous operation. We offer a range of wireless control systems providing localised grouping and control as well as comprehensive wireless solutions allowing both standard and emergency luminaires to be centrally monitored. For healthcare applications a nightlight can be specified to provide low level lighting during rest periods.



CE IP20 IP40 IK08 TM21: L90>60K HOURS / L80>90K HOURS 3 STEP MACADAM ELLIPSE

APPLICATION

- Canteen
- Commercial / Offices
- Corridor
- Education

- Food / Clean Area
- Healthcare / Social Housing
- Hotel / Leisure
- Industrial / Manufacturing
- Retail
- Stairwell
- Store Room
- Transport
- Warehouse / Storage

SPECIFICATION

CONSTRUCTION

- Housing: 0.7mm CR4 steel
- Finish: Polyester powder painted BS 00E55 matt white 60% gloss
- Endcaps: Injection moulded polycarbonate
- Diffuser: 2mm extruded high transmission opal prismatic polycarbonate
- IK08
- IP20
- IP40

PERFORMANCE

- Part L2 compliant
- 3SCDM Three step Macadams ellipse
- TM21: L90>60K Hours / L80>90K Hours
- Up to 147 luminaire lumens per circuit Watt.

ENVIRONMENTAL

- Designed to allow simple replacement of components with commonly available tools in compliance with the Eco Design Directive, please see the installation leaflet for maintenance instructions.
- All critical components are mounted on a single tray for simple end of life repair or upgrade.
- Powered by European branded drivers and emergency modules ensuring replacement parts are easily sourced.
- Every luminaire is labelled with a unique ID number allowing easy identification of spare parts for the lifetime of the product.
- Contains no single use plastics or polystyrene packaging.
- Supplied in plain card boxes with paper tape ensuring packaging is easily recycled.
- Designed to allow simple disassembly for end of life recycling.
- UK based manufacturing providing local support throughout the product lifetime and minimising transportation miles.

EMERGENCY

- Available with optional standard, self test and autotest integral emergency with lithium batteries for extended warranty

and lifetime.

- Optional Reacta-Link wireless emergency for automated centralised reporting.
- Optional Reacta-Control wireless emergency for automated centralised reporting.
- Optional central battery changeover relay

CONTROL

- Optional compatibility with a range of dimming systems including DALI, DSI and Switch Dimming
- Optional White tunable
- Optional Integral R25 microwave presence and bright out sensor
- Optional Integral Reacta-Air wireless presence and daylight regulations sensor
- Optional integral Reacta-Link for integration with Reacta-Link wireless installations
- Optional integral Reacta-Control for integration with Reacta-Control wireless installations

INSTALLATION

- Suitable for suspended installation
- Suitable for surface installation

VARIATIONS

- Available with a wide range of colour temperatures and renderings
- Available in a range of housing sizes and lumen outputs
- Available with optional night light

IMAGES

PRODUCT IMAGES



Graduate 1500mm

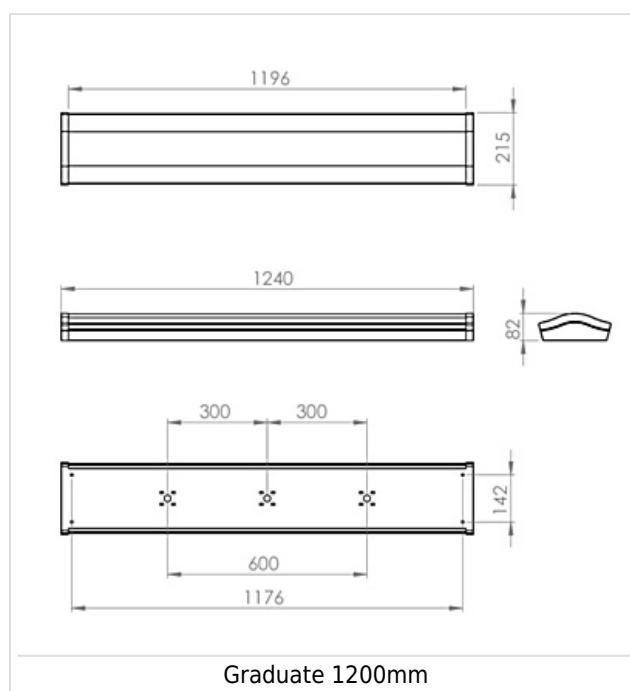
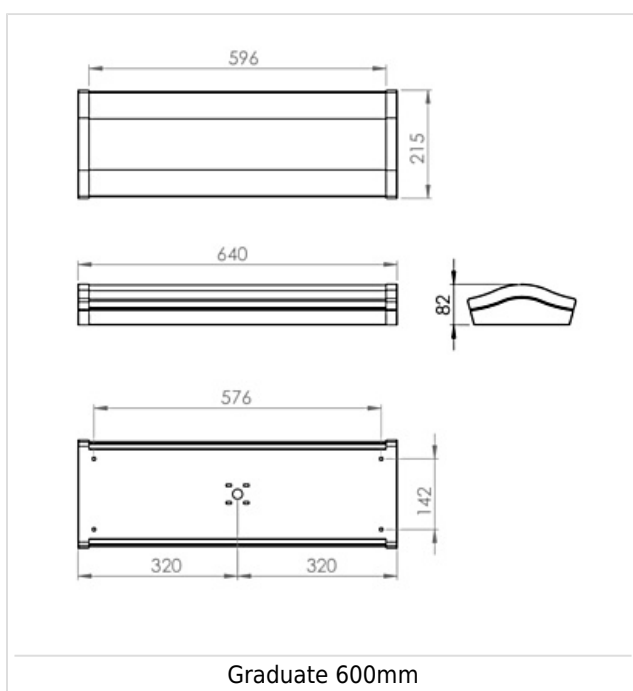


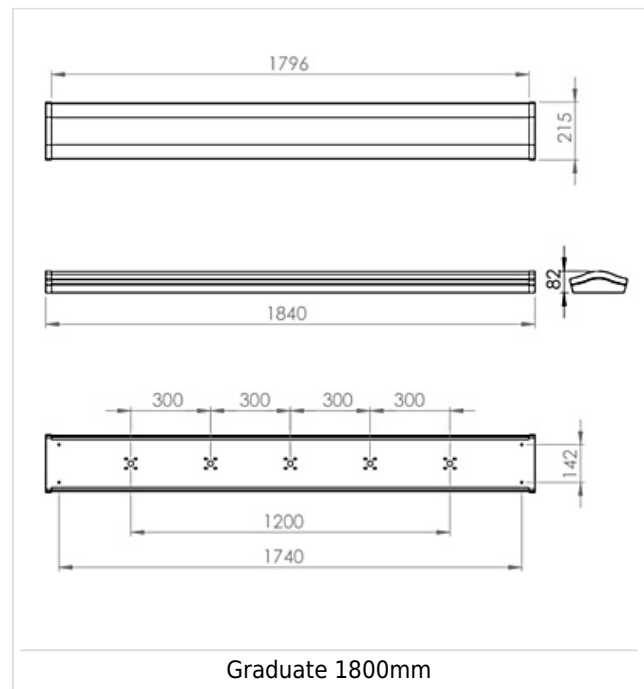
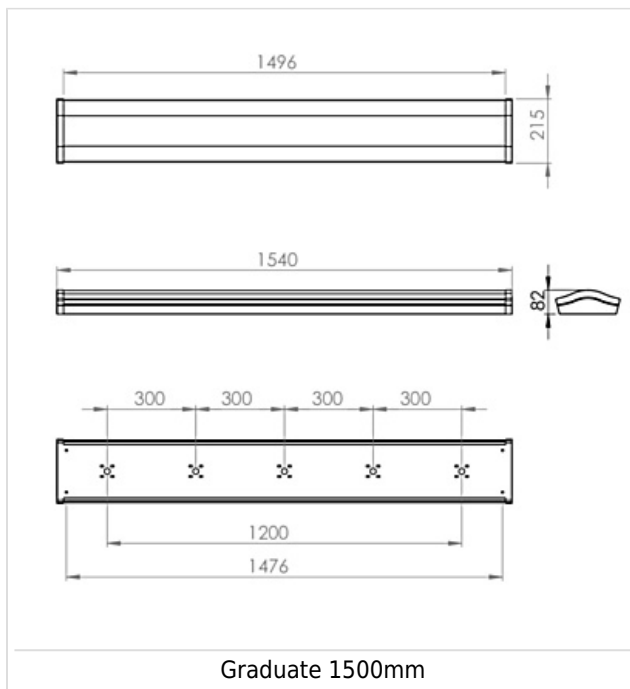
Graduate Reacta-Air

PROJECT IMAGES



TECHNICAL





WARRANTY

At Dextra our commitment to service has been at the forefront throughout our history spanning more than forty years in the UK lighting market. Our service ethos extends beyond design and delivery, we believe supporting your installation throughout the warranty period is equally crucial, whilst the strength and longevity of Dextra Group provides peace of mind that our warranty will be supported throughout.

The Dextra range is supplied with a five year warranty commencing from the date of delivery. During the first three years defects will be repaired on site and the warranty will include both parts and labour. For the final two years drivers, emergency modules, wireless modules, sensors and LED circuits will be supplied free of charge to replace defective components, labour and other associated costs are not included.

Certain ranges and components are subject to exemptions:

- Lithium batteries are provided with a three year warranty for parts and labour. Nickel Metal Hydride and Nickel Cadmium batteries are provided with a one year warranty for parts and labour.
- Emergency luminaires including AME LED, EXI LED, EXI2 LED, EXI Track, HBE LED, HBE2 LED, OAT2 LED, OEZ LED and Twinspot with Nickel Metal Hydride batteries are supplied with a one year warranty for parts and labour. Lithium variants of these ranges are supplied with a three year warranty for parts and labour with the exception of the AME2, EXI3, HBE3 and TWS IP65 L7 ranges which are supplied with a one year parts and labour warranty. TWS IP65 L7 in autotest and wireless variants are supplied with the standard three year lithium battery warranty.
- Protec Micro, PTECF7 Fire Rated Downlights, Serenus and the Opus Sconce are provided with a five year replacement luminaire only warranty. Protec FR Fire Rated Downlights are provided with a 2 year replacement luminaire only warranty.
- Controls systems such as standalone sensors, switches, marshalling boxes and cabling are provided with a one year warranty for both parts and labour. DALI control systems are provided with a two year warranty for both parts and labour.

- LEDextra ranges are supplied with a three year parts or replacement luminaire only warranty with the exception of the IMPR RGBW, the Runway RGBW, the MOD RGBW and the Tanek RGBW. These three ranges are supplied with our standard five year warranty during which defects within the first three years will be repaired on site and the warranty includes both parts and labour. For the final two years free of charge replacement components only will be supplied to rectify any failures but labour and other associated costs are not included.
- LEDEX ranges are supplied with a three year replacement luminaire only warranty.
- The Decorative Pendant ranges, Bebo, Dene, Nova, Fino and Stix are supplied with a 3 year replacement luminaire only warranty.

All warranties are subject to correct use of the product and will be invalidated by misuse, for example incorrect installation, unsuitable environmental conditions or incorrect maintenance. It is the duty of the customer to ensure that all the fault lies with the luminaire prior to requesting replacement parts or site repairs. In the event that no defect is found with the product our costs for attending site will be recharged to the customer and credit will not be issued against returned products. No consequential losses incurred resulting from any defect with our product will be reimbursed.

Given the nature of LED technology a small percentage of LEDs may fail during the lifetime of a luminaire, this does not cause a reduction in lumen output. As such LED luminaires are only deemed to be faulty for warranty purposes when in excess of ten percent of LEDs have failed in a single luminaire

On site repair of products under warranty will be undertaken during normal working hours, 9am to 5pm Monday to Friday, and will require unrestricted access to luminaires. Where required Dextra will provide access equipment to carry out repairs at height, should luminaires have been installed in locations where reasonable provision for maintenance access has not been made we reserve the right to supply replacement product only.

If you require any assistance with regards to our products please contact our Customer Services department on 01747 858100.

[DOWNLOAD WARRANTY PDF](#)

ORDER CODES

LUMINAIRE

Code	Description	Power	Llm/W
GRD L22 OPTPA	Graduate, 600mm, 1,810lm, Opal Diffuser, Colour 84	14.9W	121
GRD L26 OPTPA	Graduate, 1200mm, 2,139lm, Opal Diffuser, Colour 84	16.2W	132
GRD L38 OPTPA	Graduate, 1200mm, 3,127lm, Opal Diffuser, Colour 84	25.5W	123
GRD L87 OPTPA	Graduate, 1200mm, 7,158lm, Opal Diffuser, Colour 84	51.8W	138
GRD L35 OPTPA	Graduate, 1500mm, 2,880lm, Opal Diffuser, Colour 84	20.5W	140
GRD L45 OPTPA	Graduate, 1500mm, 3,703lm, Opal Diffuser, Colour 84	27.2W	136
GRD L54 OPTPA	Graduate, 1500mm, 4,443lm, Opal Diffuser, Colour 84	32.5W	137
GRD L63 OPTPA	Graduate, 1500mm, 5,184lm, Opal Diffuser, Colour 84	39.2W	132
GRD L80 OPTPA	Graduate, 1500mm, 6,582lm, Opal Diffuser, Colour 84	44.7W	147
GRD L96 OPTPA	Graduate, 1500mm, 7,899lm, Opal Diffuser, Colour 84	53.8W	147
GRD L132 OPTPA	Graduate, 1500mm, 10,861lm, Opal Diffuser, Colour 84	77.8W	140
GRD L45 OPTPA 6FT	Graduate, 1800mm, 3,703lm, Opal Diffuser, Colour 84	27.5W	135
GRD L65 OPTPA 6FT	Graduate, 1800mm, 5,348lm, Opal Diffuser, Colour 84	34.3W	156
GRD L90 OPTPA 6FT	Graduate, 1800mm, 7,405lm, Opal Diffuser, Colour 84	50.3W	147

DIMMING

Code	Description
A	DALI Digital Addressable Lighting Interface
S	Switch Dimming
D	DSI Digital Dimming
H	HFR Analogue 1-10v
C	Bi-Level Dimming For Standalone Switched Sensor
WT	White Tunable (Lumen Outputs Vary from Standard)

Please click [here](#) for full details on our white tunable offer.

CONTROL

Code	Description
R25E	Reacta 25, Presence & Bright Out, On / Off, 2.5-4M
R25C*	Reacta 25, Presence & Bright Out, Bi-Level Dimming, 2.5-4M
RAS	Reacta-Air Bluetooth, Wireless, Presence & Daylight, 2.5-3M
RLI	Reacta-Link, Wireless Enabled Luminaire
RLM	Reacta-Link, Wireless, Presence, 2.5-4M
RC	Reacta-Control, Wireless Enabled Luminaire
RCMC*	Reacta-Control, Presence & Bright Out, Bi-level Dimming, 2.5-4M
RCME	Reacta-Control, Presence & Bright Out, On / Off, 2.5-4M

Please click [here](#) for full details on our wireless controls.

*Bi-Level dimming. Will only dim the luminaire to 10% during absence and bright out, it will not turn the luminaire off unless combined with separate photocell for dusk to dawn operation.

Should a Clear Prismatic TPA Option be required, please refer to the Sales Team.

EMERGENCY

Code	Description
LE3	Lithium Standard Emergency 3 Hour
LS3	Lithium Selftest Emergency 3 Hour
LA3	Lithium Autotest Emergency 3 Hour
LSTR	Lithium Reacta-Link Emergency 3 Hour
LA3RC	Lithium Reacta-Control Emergency 3 Hour
CB	Central Battery, Please Specify 50V, 110V or 230V when Ordering

MISCELLANEOUS

Code	Description
------	-------------

C** Select Colour Temperature and Rendering; C83, C84, C85, C865, C93, C94

SUSP Y KIT 3M BF X2 Two Point Y Suspension Kit

NL Night Light (Non Emergency Variants Only)

LSF Low Smoke Zero Halogen

GRD IP40 Gasket IP40 Gasket

Night light available on request, we recommend the use of Corridor Function dimming in most nightlight applications, however a separate source can be supplied for our highest lumen output variants.
