



PRODUCT SPECIFICATION

GLIDE MINI



INTRODUCTION

The Glide Mini offers a high power wall grazing solution for both interior and external applications with an IP66 and IK08 rated slim line compact housing with a weather resistant RAL 9006 grey paint finish. The Glide Mini is supplied with fixed output control gear as standard but can also be supplied with DALI or DMX drivers. This flexibility of control extends to lens options also with 10×40° or 50×50° beam angles as standard with a wide range of lens options available on request ensuring the distribution can be tailored to your needs. Glide Mini is ideal for wall grazing applications at 2-3m, however a wide range of beam angles and colour temperatures are available on request. The Glide Mini is supplied complete with IP66 rated plug and socket connections and mounting brackets allowing quick and simple installation.

UK CE IP66 IK08 24V

APPLICATION

- Façade Lighting
- Hotel / Leisure
- Parking / Exterior
- Retail
- Shop Front

SPECIFICATION

CONSTRUCTION

- › Housing: Extruded aluminium
- › Toughened glass cover
- › IK08
- › IP66 housing and electrical connectors

ENVIRONMENTAL

- › Designed to allow simple replacement of components with commonly available tools in compliance with the Eco Design Directive, please see the installation leaflet for maintenance instructions.
- › Powered by European branded drivers and emergency modules ensuring replacement parts are easily sourced.
- › Every luminaire is labelled with a unique ID number allowing easy identification of spare parts for the lifetime of the product.
- › Contains no single use plastics or polystyrene packaging.
- › Supplied in plain card boxes with paper tape ensuring packaging is easily recycled.
- › Designed to allow simple disassembly for end of life recycling.
- › UK based manufacturing providing local support throughout the product lifetime and minimising transportation miles.

INSTALLATION

- › Supplied complete with angle adjustable mounting brackets
- › Supplied with prewired leads for rapid low cost installation

VARIATIONS

- › Available in a range of lumen outputs and lens options offering multiple beam angles
- › RAL9006 Grey as standard, other colours available on request

PERFORMANCE

- › 50,000 operating hours

IMAGES

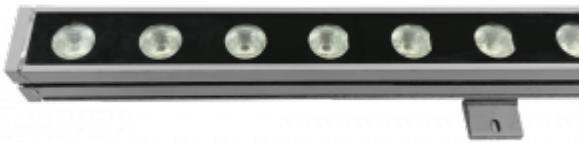
PRODUCT IMAGES



Glide Mini 1000mm



Glide Mini 1000mm



Glide Mini Lens

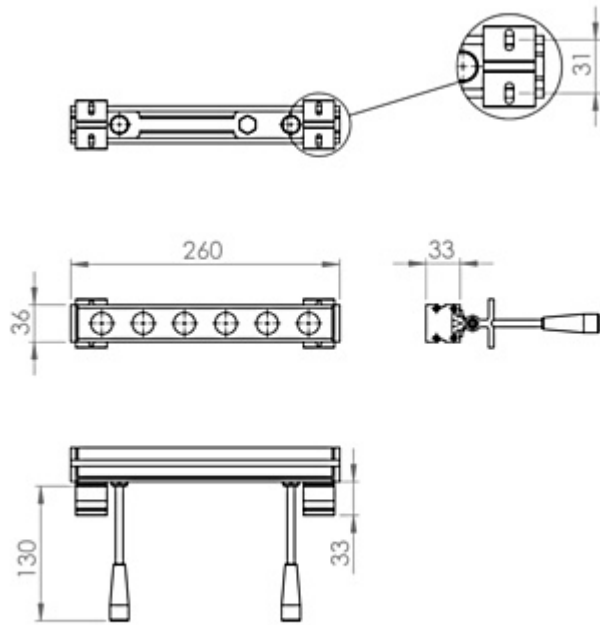


Glide Mini Cable

PROJECT IMAGES

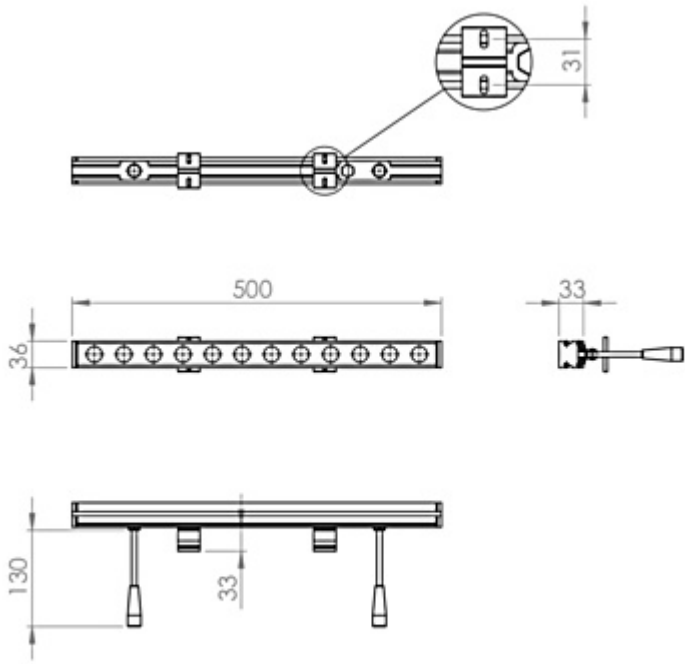


TECHNICAL

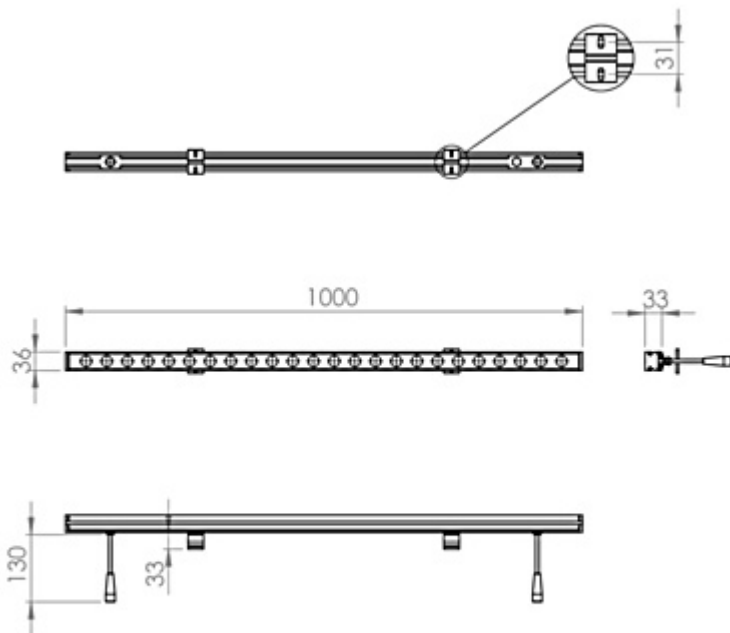


Glide Mini 260mm





Glide Mini 500mm



Glide Mini 1000mm

WARRANTY

At Dextra our commitment to service has been at the forefront throughout our history spanning more than forty years in the UK lighting market. Our service ethos extends beyond design and delivery, we believe supporting your installation throughout the warranty period is equally crucial, whilst the strength and longevity of Dextra Group provides peace of mind that our warranty will be supported throughout.

The Dextra range is supplied with a five year warranty commencing from the date of delivery. During the first three years defects will be repaired on site and the warranty will include both parts and labour. For the final two years drivers, emergency modules, wireless modules, sensors and LED circuits will be supplied free of charge to replace defective components, labour and other associated costs are not included.

Certain ranges and components are subject to exemptions:

- Lithium batteries are provided with a five year warranty. During the first three years defects will be repaired on site and the warranty will include both parts and labour. For the final two years replacement batteries will be supplied free of charge to replace defective components. Five year warranty became effective as of 03/02/25, Lithium emergency luminaires supplied prior to this date are supported with a three year on site warranty only. Labour and other associated costs are not included. Nickel Metal Hydride and Nickel Cadmium batteries are provided with a one year warranty for parts and labour.
- Emergency luminaires including AME LED, EXI LED, EXI2 LED, EXI Track, HBE LED, HBE2 LED, OAT2 LED, OEZ LED and Twinspot with Nickel Metal Hydride batteries are supplied with a one year warranty for parts and labour. Lithium variants of these ranges are supplied with a three year warranty for parts and labour with the exception of the AME2, EXI3, HBE3 and TWS IP65 L7 ranges which are supplied with a one year parts and labour warranty. TWS IP65 L7 in autotest and wireless variants are supplied with the standard three year lithium battery warranty.
- Protec Micro, PTECF7 Fire Rated Downlights, Serenus and the Opus Sconce are provided with a five year replacement luminaire only warranty. Protec FR Fire Rated Downlights are provided with a 2 year replacement luminaire only warranty.
- Controls systems such as standalone sensors, switches, marshalling boxes and cabling are provided with a one year warranty for both parts and labour. DALI control systems are provided with a two year warranty for both parts and labour.
- LEDextra ranges are supplied with a three year parts or replacement luminaire only warranty with the exception of the IMPR RGBW, the Runway RBGW, the MOD RGBW, Tanek RGBW and the DexRing. These five ranges are supplied with our standard five year warranty during which defects within the first three years will be repaired on site and the warranty includes both parts and labour. For the final two years free of charge replacement components only will be supplied to rectify any failures but labour and other associated costs are not included.
- LEDEX ranges are supplied with a three year replacement luminaire only warranty.

- The Decorative Pendant ranges, Bebo, Dene, Nova, Fino and Stix are supplied with a 3 year replacement luminaire only warranty.

All warranties are subject to correct use of the product and will be invalidated by misuse, for example incorrect installation, unsuitable environmental conditions or incorrect maintenance. It is the duty of the customer to ensure that all the fault lies with the luminaire prior to requesting replacement parts or site repairs. In the event that no defect is found with the product our costs for attending site will be recharged to the customer and credit will not be issued against returned products. No consequential losses incurred resulting from any defect with our product will be reimbursed.

Given the nature of LED technology a small percentage of LEDs may fail during the lifetime of a luminaire, this does not cause a reduction in lumen output. As such LED luminaires are only deemed to be faulty for warranty purposes when in excess of ten percent of LEDs have failed in a single luminaire.

On site repair of products under warranty will be undertaken during normal working hours, 9am to 5pm Monday to Friday, and will require unrestricted access to luminaires. Where required Dextra will provide access equipment to carry out repairs at height, should luminaires have been installed in locations where reasonable provision for maintenance access has not been made we reserve the right to supply replacement product only. On site warranty repairs will only be undertaken on the mainland of the UK and Ireland, in all other locations replacement product only will be provided.

If you require any assistance with regards to our products please contact our Customer Services department on 01747 858100.

ORDER CODES

LUMINAIRE

Code	Description	Power	Llm/W
GEM L6 1040 C84	Glide Mini, 260mm, 698llm, 10x40°, IP66, Colour 84	6.0W	116
GEM L6 5050 C84	Glide Mini, 260mm, 667llm, 50x50°, IP66, Colour 84	6.0W	111
GEM L6 1040 C83	Glide Mini, 260mm, 648llm, 10x40°, IP66, Colour 83	6.0W	108
GEM L6 5050 C83	Glide Mini, 260mm, 628llm, 50x50°, IP66, Colour 83	6.0W	105
GEM L12 1040 C84	Glide Mini, 500mm, 1,388llm, 10x40°, IP66, Colour 84	12.0W	116
GEM L12 5050 C84	Glide Mini, 500mm, 1,346llm, 50x50°, IP66, Colour 84	12.0W	112
GEM L12 1040 C83	Glide Mini, 500mm, 1,288llm, 10x40°, IP66, Colour 83	12.0W	107
GEM L12 5050 C83	Glide Mini, 500mm, 1,249llm, 50x50°, IP66, Colour 83	12.0W	104
GEM L24 1040 C84	Glide Mini, 1000mm, 2,767llm, 10x40°, IP66, Colour 84	24.0W	115
GEM L24 5050 C84	Glide Mini, 1000mm, 2,684llm, 50x50°, IP66, Colour 84	24.0W	111
GEM L24 1040 C83	Glide Mini, 1000mm, 2,569llm, 10x40°, IP66, Colour 83	24.0W	107
GEM L24 5050 C83	Glide Mini, 1000mm, 2,492llm, 50x50°, IP66, Colour 83	24.0W	104

For dimming please add suffix of DIM to ordering codes and specify type of dimming by selecting the relevant synchronizer below

DIMMING

Code	Description
DALI SYNCHRONIZER	DALI Synchronizer for DALI dimming

DMX SYNCHRONIZER	DMX Synchronizer for DMX dimming
------------------	----------------------------------

MISCELLANEOUS

Code	Description
GEM WB	Glide Wall Bracket - 350mm - 560mm

Glide Installation

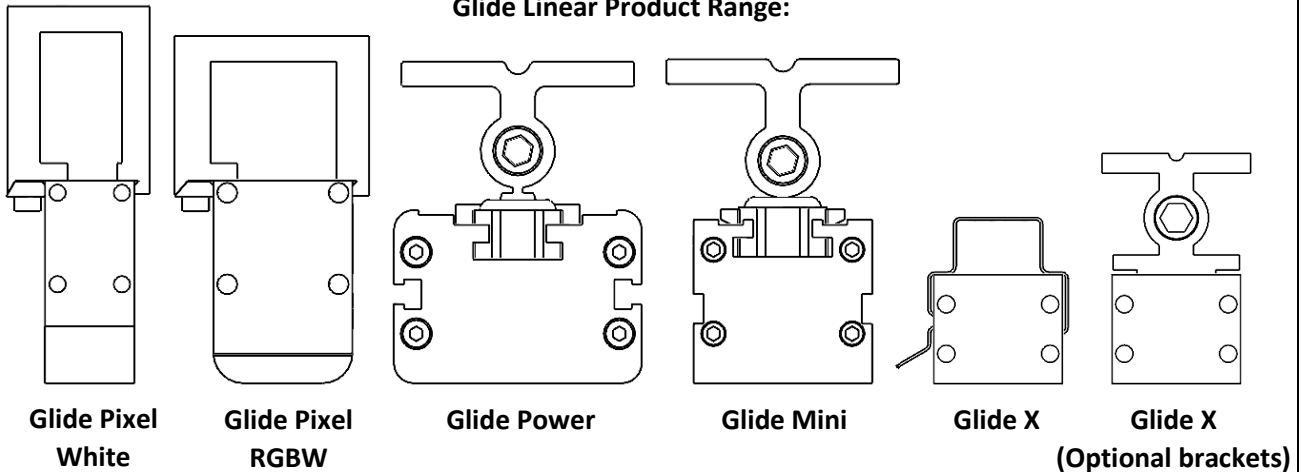
220-240V / 50-60Hz
IP20 - IP66
(Dependant on product)



Terminal Labelling:	
Power	
L1	Switched Live
E	Earth
N	Neutral
Emergency	
L2	Unswitched Live
DA/AT3	DALI Autotest
DA/AT3	DALI Autotest
Dimming	
-/D1/DA	Analogue/DSI/DALI
+/D2/DA	Analogue/DSI/DALI
L3	Switch Dim / Corridor Function

WARNING: Luminaire must be earthed. Risk of electric shock from LED boards if operated with cover removed. Installation / operation outside of luminaires intended scope invalidates warranty. Suitable only for domestic / light industrial / industrial applications within the scope of EN55015. Tested to compliance with BSEN 60598: specification for general requirements and tests. Must be installed by a suitably qualified person in accordance with all relevant legislation. Ambient operating temperature of 0°C to 25°C. If maximum operating temperature is exceeded luminaire will automatically dim / switch off. Terminal blocks are rated to 16A unless stated otherwise. The light source is non replaceable. **LUMINAIRES WITH EMERGENCY PACK:** When supply is isolated battery output terminals may be live if battery is connected. Isolate mains and battery before servicing. Emergency luminaires require unswitched live connection taken from same phase as switched supply. When unswitched supply is connected status indicator illuminates green, when unswitched supply is disconnected indicator extinguishes and luminaire operates in emergency mode. 24 hour charge period required before undertaking full discharge test. Emergency test sheets provided should be used to record all emergency tests. Batteries should be replaced when 3 hour duration is not met. Excessive switching of permanent live may result in premature battery failure. Battery electrolyte can be harmful to eyes / open wounds, do not puncture, if electrolyte touches skin / eyes flush with water. Do not incinerate batteries.

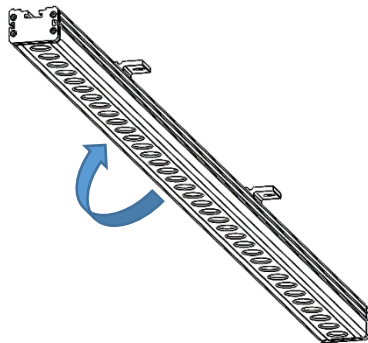
Glide Linear Product Range:



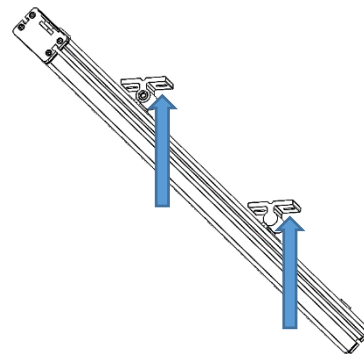
1. Glide Power/Glide Mini

IP66

2.

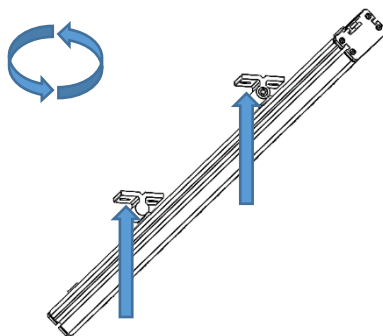


Position the fitting in the desired location and tilt to one side.



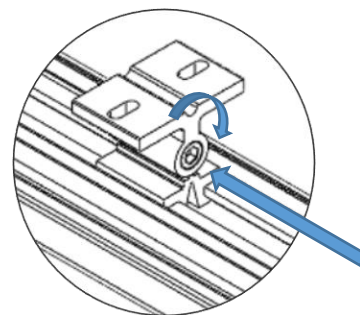
Fix one side of the brackets to the mounting surface.

3.



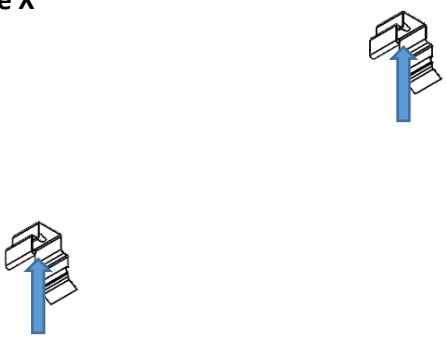
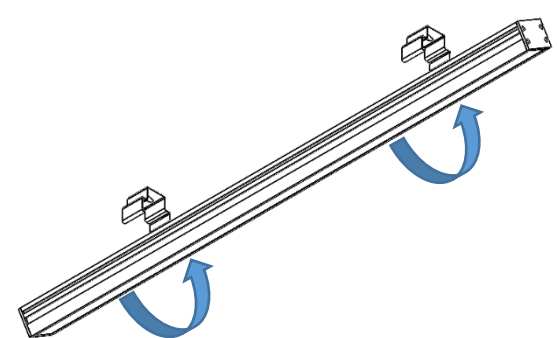
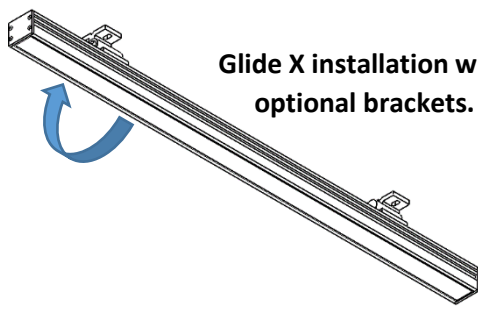
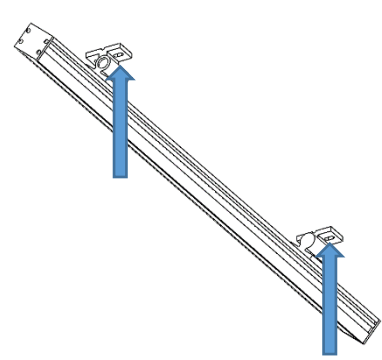
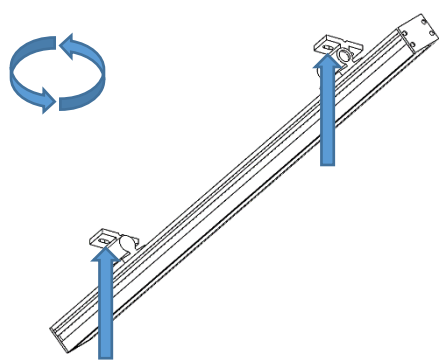
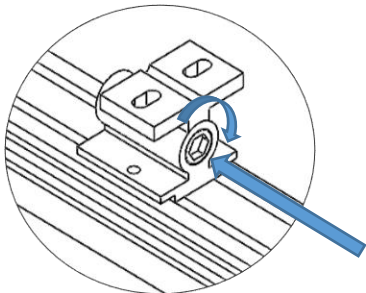
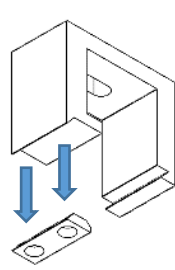

Rotate the fitting and fix the brackets on the opposite side.

4.



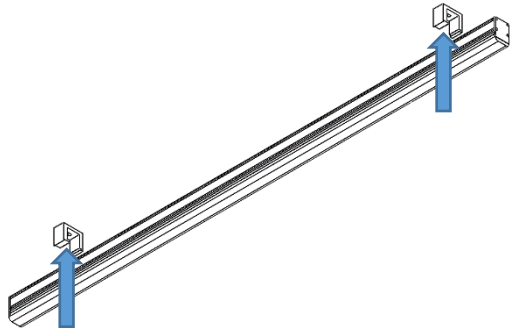
Once secure, position the fitting to the desired angle and then tighten the adjustable bracket on each end.

Glide Installation

<p>1. Glide X</p> <p>IP20</p>  <p>Packed with spring steel clips as standard. Secure these clips in the desired location.</p>	<p>2.</p>  <p>Lift and tilt the fitting so it snaps into the two brackets.</p>
<p>3.</p>  <p>Glide X installation with optional brackets.</p> <p>Position the fitting in the desired location and tilt to one side.</p>	<p>4.</p>  <p>Fix one side of the brackets to the mounting surface.</p>
<p>5.</p>  <p>Rotate the fitting and fix the brackets on the opposite side.</p>	<p>6.</p>  <p>Once secure, position the fitting to the desired angle and then tighten the adjustable bracket on each end.</p>
<p>1. Glide Pixel RGBW/ Glide Pixel White</p> <p>IP66</p>  <p>X 2</p> <p>Remove the two screws that are holding the bracket together.</p>	<p>2.</p>  <p>Position the brackets. Secure these clips in the desired location.</p>

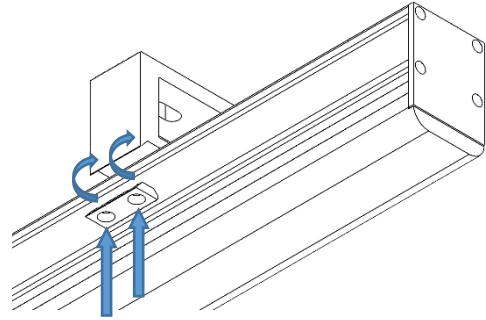
Glide Installation

3.



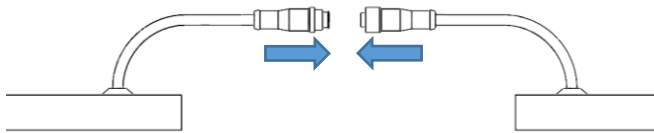
Offer the fitting up to the fixed brackets, and hold in place.

4.



Reinsert the plate that was removed and secure in place using the screws provided.

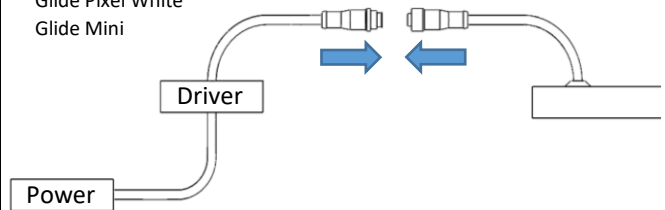
Connection method for Glide range:



Connect to the next fitting in a daisy chain.
Consult supplier regarding maximum number of fixtures allowed to be connected in a daisy chain.

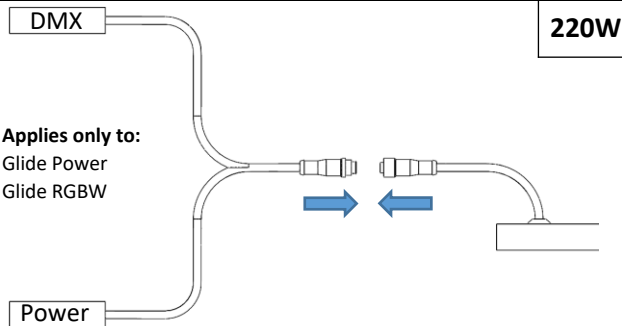
Applies only to:
 Glide X
 Glide Pixel White
 Glide Mini

24V



NON DMX FITTING

Connect the first fitting to the driver. Then connect the driver to the power to complete the installation.

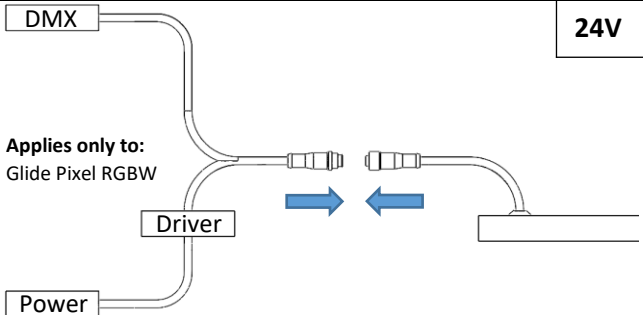


220W

Applies only to:
 Glide Power
 Glide RGBW

DMX FITTING

Connect the first fitting to the power and the DMX controller using the 6 pole cable supplied.



24V

Applies only to:
 Glide Pixel RGBW

DMX FITTING

Connect the first fitting to the driver. Then connect the driver to the power and the DMX controller, using the 4 pole cable supplied.