

# PRODUCT SPECIFICATION

---

ECOPAK SENSOR



## INTRODUCTION

The Ecopak is a highly versatile and efficient range of LED battens utilising high quality components and mid power LEDs ensuring reliability and long life combined with superb energy efficiency. With sizes ranging from 600mm to 1800mm and lumen outputs from 2,200 up to 12,000 as well as a range of optic designs including our most popular opal diffuser as well as high rack and ultra high rack for higher mounting heights the Ecopak can be tailored to suit applications from warehousing and light industry through to circulation and ancillary areas. This flexibility is further enhanced with a wide range of dimming control gear and integral lithium emergency options. We offer a range of wireless control systems providing localised grouping and control as well as comprehensive wireless solutions allowing both standard and emergency luminaires to be centrally monitored.

Quick and simple installation is key to the success of the Ecopak with a two part construction allowing the housing to be installed before the one piece gear tray and diffuser is connected using quick release spring clips. With drivers rated to 100,000 hour lifetime, LEDs rated to L90 at 60,000 operating hours and efficiency up to 160 luminaire lumens per watt the Ecopak combines superb service life with market leading energy efficiency. The Ecopak Sensor is available with a range of sensors offering presence detection, daylight regulation and remote control programming enabling further energy savings and carbon reductions to be realised.



CE IP20 TM21: L90>60K HOURS / L80>90K HOURS 3 STEP MACADAM ELLIPSE

---

## APPLICATION

---

- › Commercial / Offices
- › Corridor
- › Education
- › Healthcare / Social Housing
- › Hotel / Leisure
- › Industrial / Manufacturing
- › Retail
- › Stairwell
- › Store Room
- › Transport
- › Warehouse / Storage

---

## SPECIFICATION

---

### CONSTRUCTION

- › Housing: 0.6mm CR4 steel
- › Finish: Polyester powder painted BS 00E55 matt white 60% gloss
- › Endcaps: Injection moulded polycarbonate
- › Diffuser: 2mm extruded high transmission opal polycarbonate
- › IP20

### PERFORMANCE

- › Part L2 compliant
- › 3SCDM Three step Macadams ellipse
- › TM21: L90>60K Hours / L80>90K Hours
- › Up to 161 luminaire lumens per circuit Watt.

### ENVIRONMENTAL

- › Designed to allow simple replacement of components with commonly available tools in compliance with the Eco Design Directive, please see the installation leaflet for maintenance instructions.
- › Powered by European branded drivers and emergency modules ensuring replacement parts are easily sourced.
- › Every luminaire is labelled with a unique ID number allowing easy identification of spare parts for the lifetime of the product.
- › Contains no single use plastics or polystyrene packaging.

- › Supplied in plain card boxes with paper tape ensuring packaging is easily recycled.
- › Designed to allow simple disassembly for end of life recycling.
- › UK based manufacturing providing local support throughout the product lifetime and minimising transportation miles.

### **EMERGENCY**

- › Available with optional standard, self test and autotest integral emergency with lithium batteries for extended warranty and lifetime.
- › Optional Reacta-Link wireless emergency for automated centralised reporting.
- › Optional Reacta-Control wireless emergency for automated centralised reporting.

### **CONTROL**

- › Optional compatibility with a range of dimming systems including DALI, DSI and Switch Dimming
- › Optional White tunable
- › Optional Integral R21 presence sensor
- › Optional Integral R44 presence and daylight sensor
- › Optional Integral Reacta-Air wireless presence and daylight regulations sensor
- › Optional integral Reacta-Link for integration with Reacta-Link wireless installations
- › Optional integral Reacta-Control for integration with Reacta-Control wireless installations
- › Ground level commissioning with REA-AP controller allows quick and simple setting and adjustment of sensors without the need for costly commissioning.

### **INSTALLATION**

- › Suitable for suspended installation
- › Suitable for trunking installation
- › Suitable for conduit installation
- › Suitable for surface installation
- › Gear tray retained to spine with 4 quick release spring clips allowing for quick and easy installation.

### **VARIATIONS**

- › Available with a wide range of colour temperatures and renderings
- › Available in a range of housing sizes and lumen outputs
- › Available in white or black finishes

---

## IMAGES

---

### **PRODUCT IMAGES**



Ecopak R44



Ecopak R21



Ecopak R18

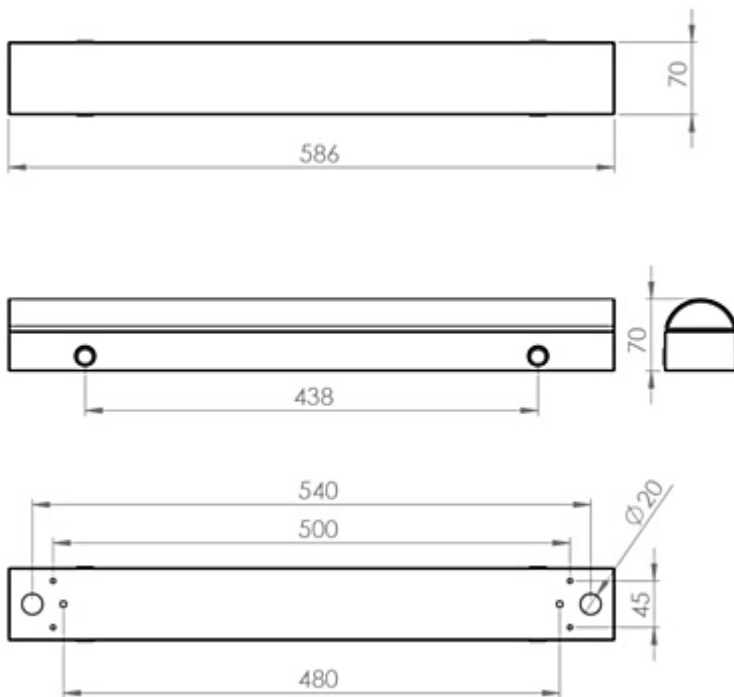
## PROJECT IMAGES





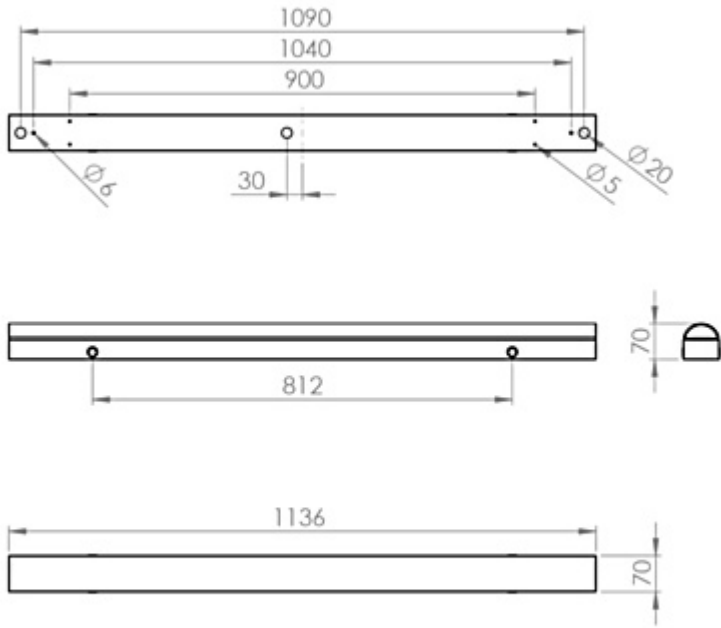
TECHNICAL

>

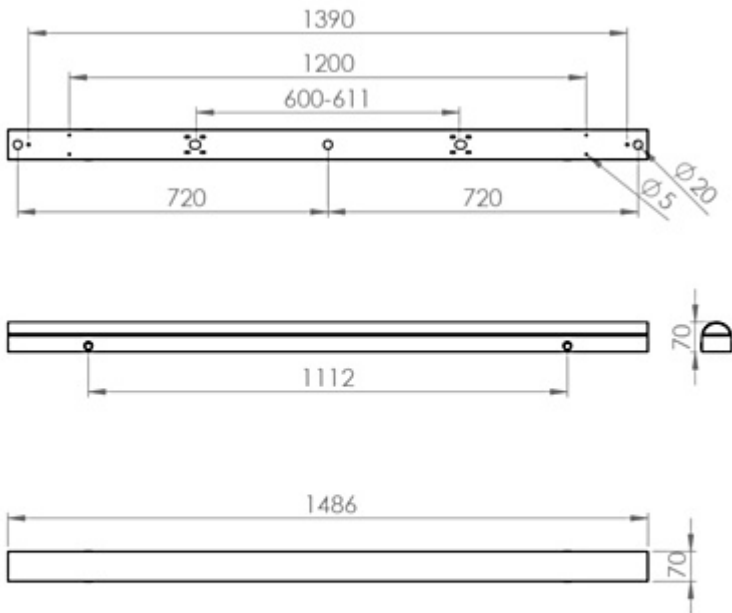


Ecopak 600mm

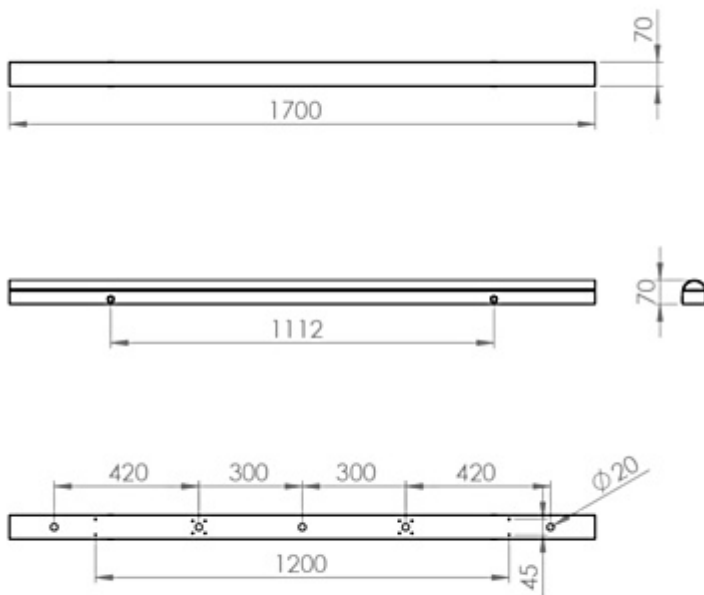
>



Ecopak 1200mm



Ecopak 1500mm



Ecopak 1800mm

## WARRANTY

At Dextra our commitment to service has been at the forefront throughout our history spanning more than forty years in the UK lighting market. Our service ethos extends beyond design and delivery, we believe supporting your installation throughout the warranty period is equally crucial, whilst the strength and longevity of Dextra Group provides peace of mind that our warranty will be supported throughout.

The Dextra range is supplied with a five year warranty commencing from the date of delivery. During the first three years defects will be repaired on site and the warranty will include both parts and labour. For the final two years drivers, emergency modules, wireless modules, sensors and LED circuits will be supplied free of charge to replace defective components, labour and other associated costs are not included.

Certain ranges and components are subject to exemptions:

- Lithium batteries are provided with a five year warranty. During the first three years defects will be repaired on site and the warranty will include both parts and labour. For the final two years replacement batteries will be supplied free of charge to replace defective components. Five year warranty became effective as of 03/02/25, Lithium emergency luminaires supplied prior to this date are supported with a three year on site warranty only. Labour and other associated costs are not included. Nickel Metal Hydride and Nickel Cadmium batteries are provided with a one year warranty for parts and labour.



- Emergency luminaires including AME LED, EXI LED, EXI2 LED, EXI Track, HBE LED, HBE2 LED, OAT2 LED, OEZ LED and Twinspot with Nickel Metal Hydride batteries are supplied with a one year warranty for parts and labour. Lithium variants of these ranges are supplied with a three year warranty for parts and labour with the exception of the AME2, EXI3, HBE3 and TWS IP65 L7 ranges which are supplied with a one year parts and labour warranty. TWS IP65 L7 in autotest and wireless variants are supplied with the standard three year lithium battery warranty.
- Protec Micro, PTECF7 Fire Rated Downlights, Serenus and the Opus Sconce are provided with a five year replacement luminaire only warranty. Protec FR Fire Rated Downlights are provided with a 2 year replacement luminaire only warranty.
- Controls systems such as standalone sensors, switches, marshalling boxes and cabling are provided with a one year warranty for both parts and labour. DALI control systems are provided with a two year warranty for both parts and labour.
- LEDextra ranges are supplied with a three year parts or replacement luminaire only warranty with the exception of the IMPR RGBW, the Runway RGBW, the MOD RGBW, Tanek RGBW and the DexRing. These five ranges are supplied with our standard five year warranty during which defects within the first three years will be repaired on site and the warranty includes both parts and labour. For the final two years free of charge replacement components only will be supplied to rectify any failures but labour and other associated costs are not included.
- LEDEX ranges are supplied with a three year replacement luminaire only warranty.
- The Decorative Pendant ranges, Bebo, Dene, Nova, Fino and Stix are supplied with a 3 year replacement luminaire only warranty.

All warranties are subject to correct use of the product and will be invalidated by misuse, for example incorrect installation, unsuitable environmental conditions or incorrect maintenance. It is the duty of the customer to ensure that all the fault lies with the luminaire prior to requesting replacement parts or site repairs. In the event that no defect is found with the product our costs for attending site will be recharged to the customer and credit will not be issued against returned products. No consequential losses incurred resulting from any defect with our product will be reimbursed.

Given the nature of LED technology a small percentage of LEDs may fail during the lifetime of a luminaire, this does not cause a reduction in lumen output. As such LED luminaires are only deemed to be faulty for warranty purposes when in excess of ten percent of LEDs have failed in a single luminaire.

On site repair of products under warranty will be undertaken during normal working hours, 9am to 5pm Monday to Friday, and will require unrestricted access to luminaires. Where required Dextra will provide access equipment to carry out repairs at height, should luminaires have been installed in locations where reasonable provision for maintenance access has not been made we reserve the right to supply replacement product only. On site warranty repairs will only be undertaken on the mainland of the UK and Ireland, in all other locations replacement product only will be provided.

**If you require any assistance with regards to our products please contact our Customer Services department on 01747 858100.**

## ORDER CODES

## LUMINAIRE

Code	Description	Power	Llm/W
EPK L22	Ecopak, 600mm, 1,933llm, Colour 84	15.8W	122
EPK L26	Ecopak, 1200mm, 2,284llm, Colour 84	16.7W	137
EPK L38	Ecopak, 1200mm, 3,340llm, Colour 84	25.2W	133
EPK L35	Ecopak, 1500mm, 3,060llm, Colour 84	22.4W	137
EPK L45	Ecopak, 1500mm, 3,924llm, Colour 84	27.3W	144
EPK L54	Ecopak, 1500mm, 4,689llm, Colour 84	33.8W	139
EPK L63	Ecopak, 1500mm, 5,520llm, Colour 84	39.6W	139
EPK L80	Ecopak, 1500mm, 7,008llm, Colour 84	43.8W	160
EPK L96	Ecopak, 1500mm, 8,484llm, Colour 84	52.9W	160
EPK L120	Ecopak, 1500mm, 10,560llm, Colour 84	70.1W	151
EPK L45 6FT	Ecopak, 1800mm, 3,954llm, Colour 84	27.1W	146
EPK L65 6FT	Ecopak, 1800mm, 5,649llm, Colour 84	39.2W	144
EPK L90 6FT	Ecopak, 1800mm, 7,821llm, Colour 84	50.4W	155

Luminaire lumens figures based on OA version.

## OPTIC

Code	Description
HR	High Rack
UHR	Ultra High Rack

UHR and HR only available in 1500mm luminaires.

## DIMMING

Code	Description
A	DALI Digital Addressable Lighting Interface
S	Switch Dimming
D	DSI Digital Dimming
H	HFR Analogue 1-10v
C	Bi-Level Dimming For Standalone Switched Sensor
WT	White Tunable (Lumen Outputs Vary from Standard)

Please click [here](#) for full details on our white tunable offer.

## CONTROL

Code	Description
R21C	Reacta 21, Presence, Bi-Level Dimming, 2.5-4M
R21E	Reacta 21, Presence, On / Off, 2.5-4M
R44	Reacta 44, Presence & Daylight, 2.5-7M
RLI	Reacta-Link, Wireless Enabled Luminaire
RCS	Reacta-Control Wireless, Presence & Daylight, 2.5-4M

\* REA-AP controller required for programming.

R21C sensor not available with L22 variants

## EMERGENCY

Code	Description
LE3	Lithium Standard Emergency 3 Hour
LS3	Lithium Selftest Emergency 3 Hour
LA3	Lithium Autotest Emergency 3 Hour
LSTR	Lithium Reacta-Link Emergency 3 Hour

---

LA3RC	Lithium Reacta-Control Emergency 3 Hour
-------	---

---

Emergency not available in L22 versions.

---

## MISCELLANEOUS

Code	Description
------	-------------

---

C**	Select Colour Temperature and Rendering: C83, C84, C85, C865, C93, C94
-----	--

---

LSF	Low Smoke Zero Halogen
-----	------------------------

---

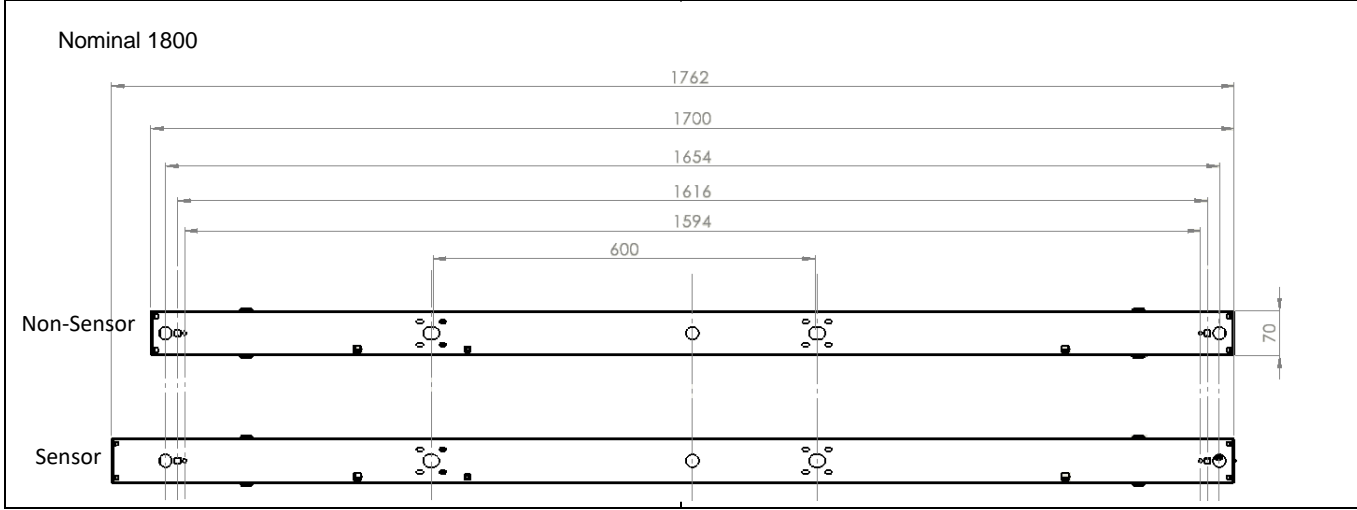
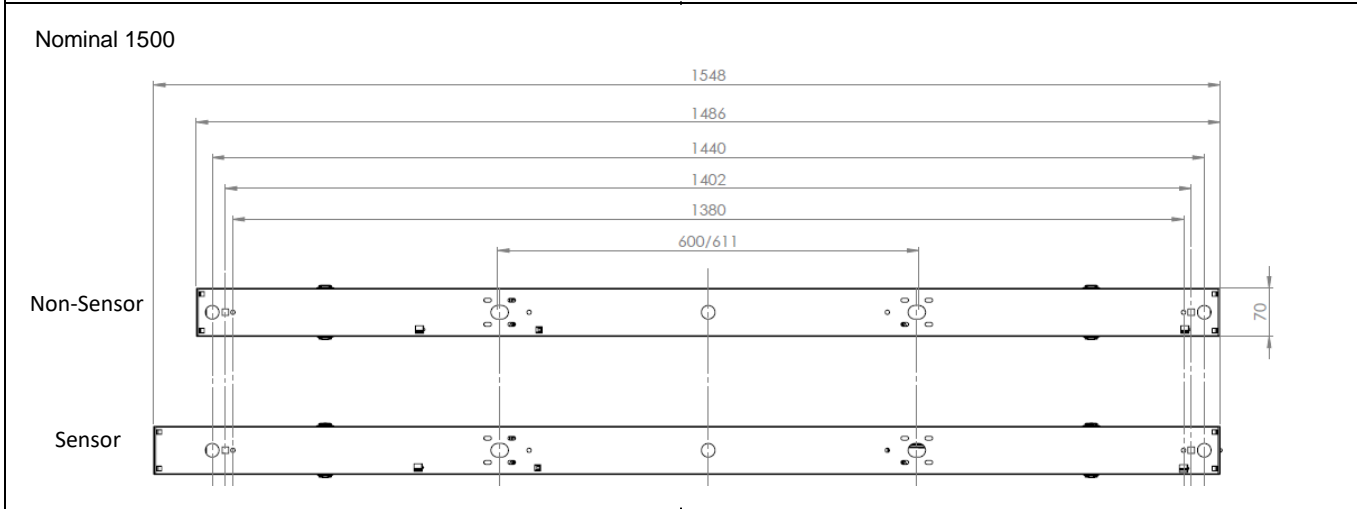
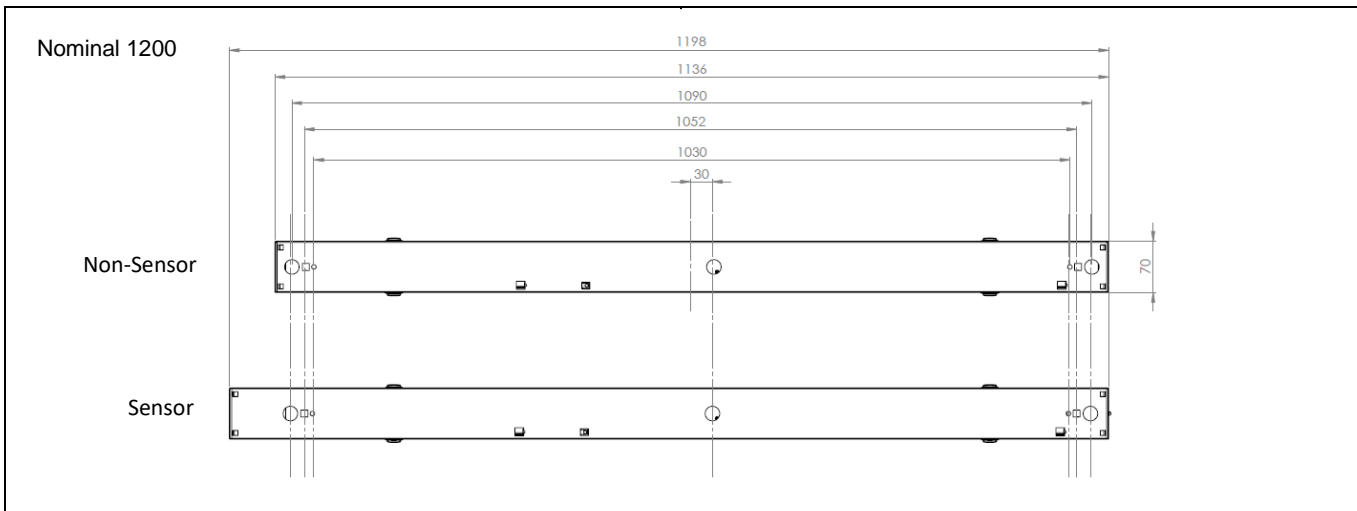
220-240V / 50-60Hz  
IP20



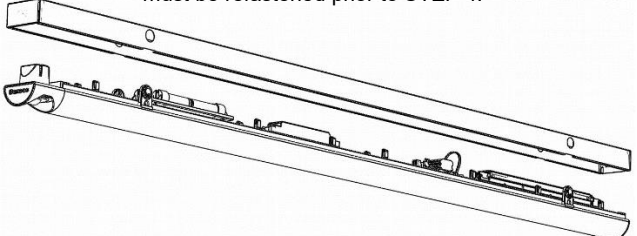
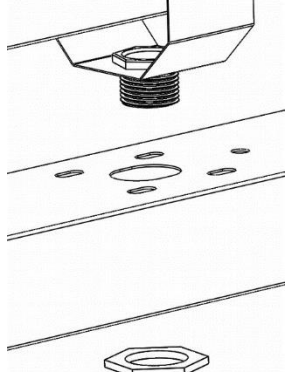
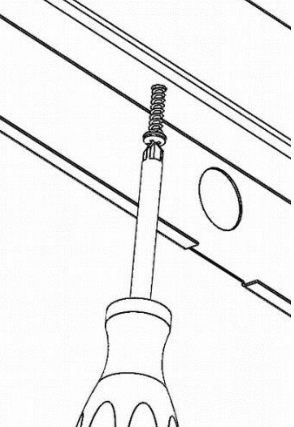
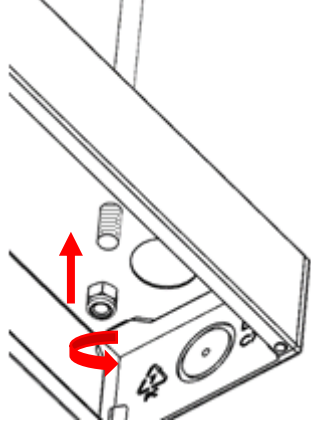
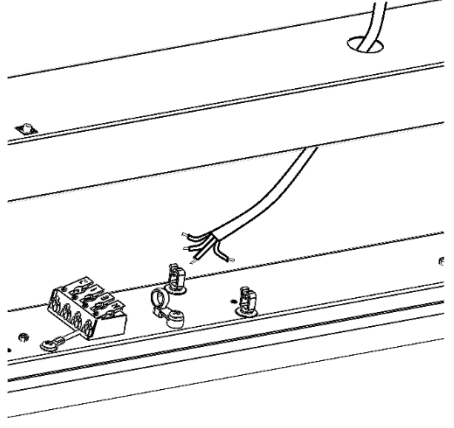
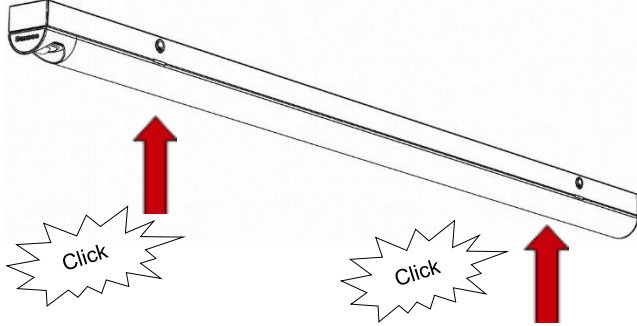
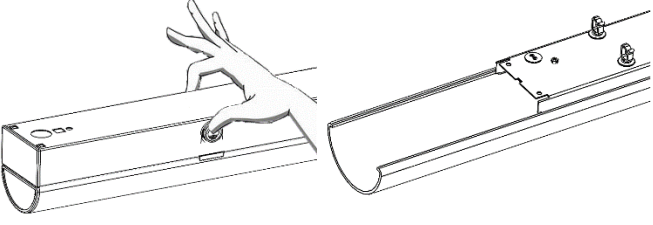
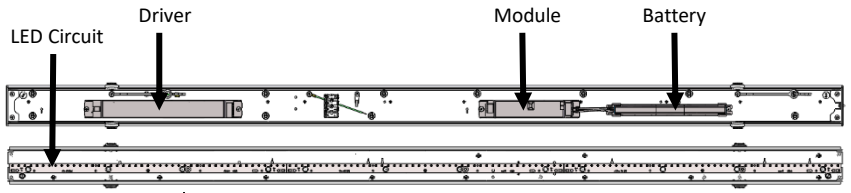
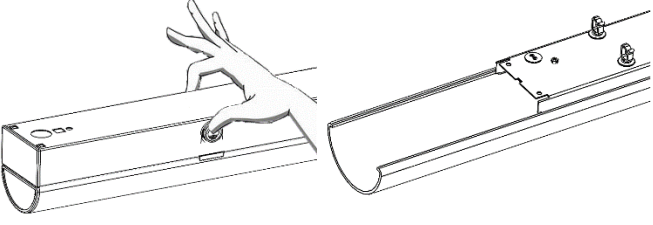
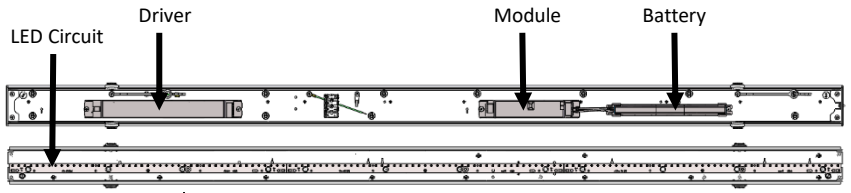
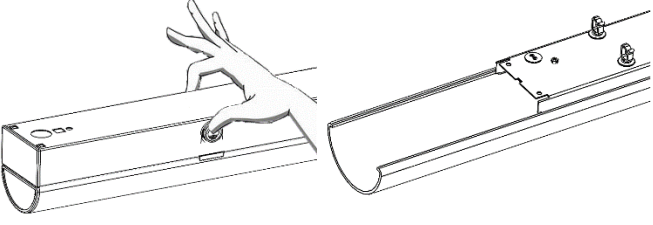
**Terminal Labelling:**

<b>Power</b>	
L1	Switched Live
E	Earth
N	Neutral
<b>Emergency</b>	
L2	Unswitched Live
DA/AT3	DALI Autotest
DA/AT3	DALI Autotest
<b>Dimming</b>	
-D1/DA	Analogue/DSI/DALI
+D2/DA	Analogue/DSI/DALI
L3	Switch Dim / Corridor Function

**WARNING:** Luminaire must be earthed. Risk of electric shock from LED boards if operated with cover removed. Installation / operation outside of luminaires intended scope invalidates warranty. Suitable only for domestic / light industrial / industrial applications within the scope of EN55015. Tested to compliance with BSEN 60598: specification for general requirements and tests. Must be installed by a suitably qualified person in accordance with all relevant legislation. Ambient operating temperature of 0°C to 25°C. If maximum operating temperature is exceeded luminaire will automatically dim / switch off. Terminal blocks are rated to 16A unless stated otherwise. The light source contained in this luminaire shall only be replaced by the manufacturer or his service agent or a similar qualified person. **LUMINAIRES WITH EMERGENCY PACK:** When supply is isolated battery output terminals may be live if battery is connected. Isolate mains and battery before servicing. Emergency luminaires require unswitched live connection taken from same phase as switched supply. When unswitched supply is connected status indicator illuminates green, when unswitched supply is disconnected indicator extinguishes and luminaire operates in emergency mode. 24 hour charge period required before undertaking full discharge test. Emergency test sheets provided should be used to record all emergency tests. Batteries should be replaced when 3 hour duration is not met. Excessive switching of permanent live may result in premature battery failure. Battery electrolyte can be harmful to eyes / open wounds, do not puncture, if electrolyte touches skin / eyes flush with water. Do not incinerate batteries.



## Ecopak Installation

<p><b>1.</b> Press 4x plastic clips simultaneously to disengage front optic from housing.</p> <p>Note – tether clips will be fastened between gear tray and housing. These may be temporarily released for ease of installation but must be refastened prior to STEP 4.</p> 	<p><b>2a.</b> Choose an appropriate mount method to secure the housing.</p> <p>Trunking</p> 								
<p><b>2b.</b> Solid Ceiling</p> 	<p><b>2c.</b> Rigid Threaded Drop Rod</p> 								
<p><b>3.</b> Feed cable through an appropriate cable entry hole, and through cable tie, then make electrical connection. Ensure cable tie securely tightened.</p> 	<p><b>4.</b> Re-engage optic into housing. Ensure no cables/tethers are trapped and all four spring clips are fully engaged. For sensor versions, setup / commission as necessary.</p> 								
<p><b>Maintenance</b></p> <table border="0"> <tr> <td data-bbox="135 1601 478 1691"> <p>1 Disconnect luminaire before undertaking any maintenance or cleaning.</p> </td> <td data-bbox="494 1601 798 1713"> <p>5 To access LED circuit use a pan pozi screwdriver to remove endcaps, diffuser will then slide out from tray.</p> </td> </tr> <tr> <td data-bbox="135 1691 478 1780"> <p>2 Cleaning should be undertaken only on external parts of the luminaire using a slightly damp lint free cloth.</p> </td> <td data-bbox="494 1713 798 1803"> <p>6 Please contact Dextra for assistance with spare component supply.</p> </td> </tr> <tr> <td data-bbox="135 1780 478 1960"> <p>3 Release tray from housing by pressing x4 plastic clips. Note – tether clips will be fastened between gear tray and housing. These may be temporarily released for ease of maintenance but must be refastened.</p> </td> <td data-bbox="813 1579 1468 1803">  </td> </tr> <tr> <td data-bbox="135 1960 478 2038"> <p>4 Use a pan pozi screwdriver to remove components.</p> </td> <td data-bbox="614 1825 1468 2016">  </td> </tr> </table>		<p>1 Disconnect luminaire before undertaking any maintenance or cleaning.</p>	<p>5 To access LED circuit use a pan pozi screwdriver to remove endcaps, diffuser will then slide out from tray.</p>	<p>2 Cleaning should be undertaken only on external parts of the luminaire using a slightly damp lint free cloth.</p>	<p>6 Please contact Dextra for assistance with spare component supply.</p>	<p>3 Release tray from housing by pressing x4 plastic clips. Note – tether clips will be fastened between gear tray and housing. These may be temporarily released for ease of maintenance but must be refastened.</p>		<p>4 Use a pan pozi screwdriver to remove components.</p>	
<p>1 Disconnect luminaire before undertaking any maintenance or cleaning.</p>	<p>5 To access LED circuit use a pan pozi screwdriver to remove endcaps, diffuser will then slide out from tray.</p>								
<p>2 Cleaning should be undertaken only on external parts of the luminaire using a slightly damp lint free cloth.</p>	<p>6 Please contact Dextra for assistance with spare component supply.</p>								
<p>3 Release tray from housing by pressing x4 plastic clips. Note – tether clips will be fastened between gear tray and housing. These may be temporarily released for ease of maintenance but must be refastened.</p>									
<p>4 Use a pan pozi screwdriver to remove components.</p>	