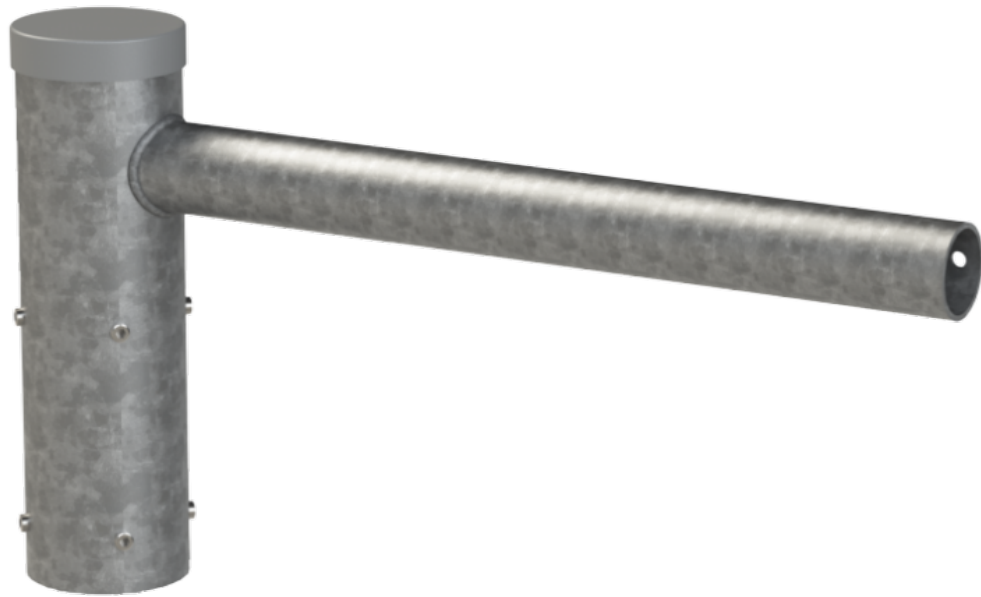


PRODUCT SPECIFICATION

COLUMN ADAPTORS AND BRACKETS



INTRODUCTION

We are pleased to introduce a range of column adaptors to complement our column mounted luminaire ranges. Our column adaptors are available in both base mount and out reach allowing for quick and simple adjustment of columns where diameters are not compatible with our standard luminaire spigot sizes. As well as adaptors this range incorporates wall brackets, floodlight brackets, out reach arms and T adaptors to configure your column or installation as required. Whilst we have listed the most commonly used adaptor types a wide range of sizes and styles are available on request.

CE

APPLICATION

- › Commercial / Offices
- › Education
- › Exterior
- › Healthcare / Social Housing
- › Hotel / Leisure
- › Industrial / Manufacturing
- › Parking / Exterior
- › Retail

› Transport

SPECIFICATION

ENVIRONMENTAL

- › Designed to allow simple replacement of components with commonly available tools in compliance with the Eco Design Directive, please see the installation leaflet for maintenance instructions.
- › Powered by European branded drivers and emergency modules ensuring replacement parts are easily sourced.
- › Every luminaire is labelled with a unique ID number allowing easy identification of spare parts for the lifetime of the product.
- › Contains no single use plastics or polystyrene packaging.
- › Supplied in plain card boxes with paper tape ensuring packaging is easily recycled.
- › Designed to allow simple disassembly for end of life recycling.
- › UK based manufacturing providing local support throughout the product lifetime and minimising transportation miles.

IMAGES

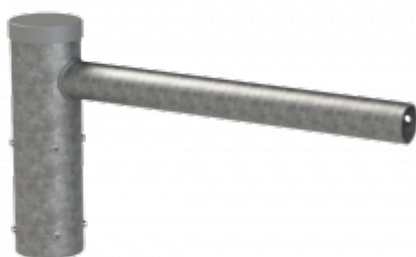
PRODUCT IMAGES



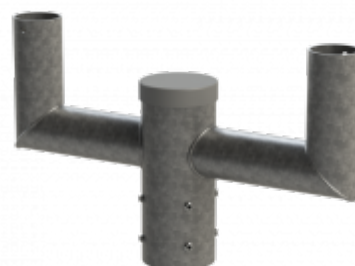
ADAB Adaptor Base Mount



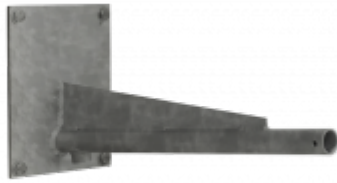
ADAO Adaptor Out Reach



ADABO Out Reach Arm



ADAT T Adaptor



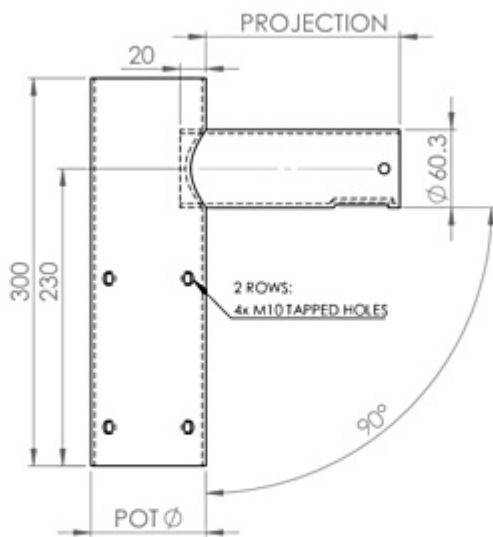
ADAW Wall Bracket



ADAF Floodlight Adaptor

TECHNICAL

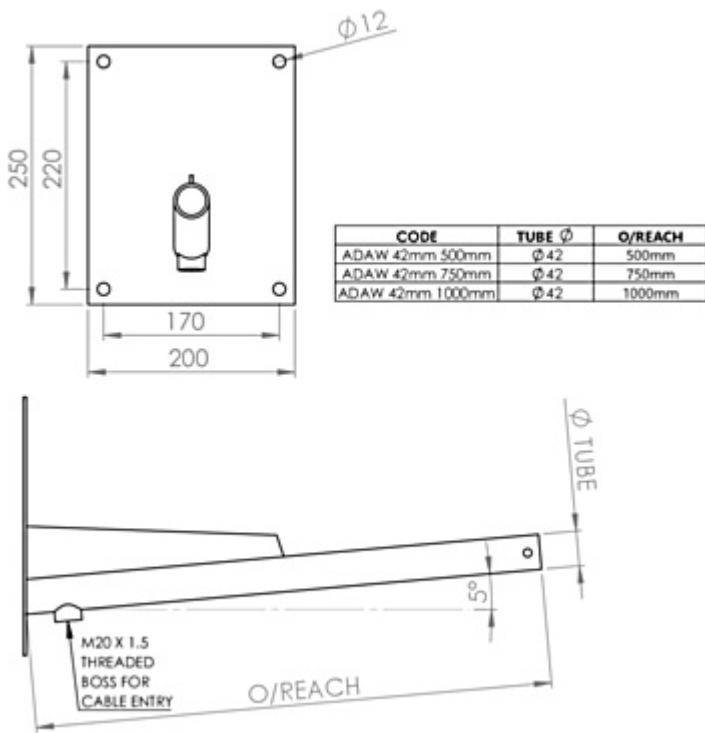
>



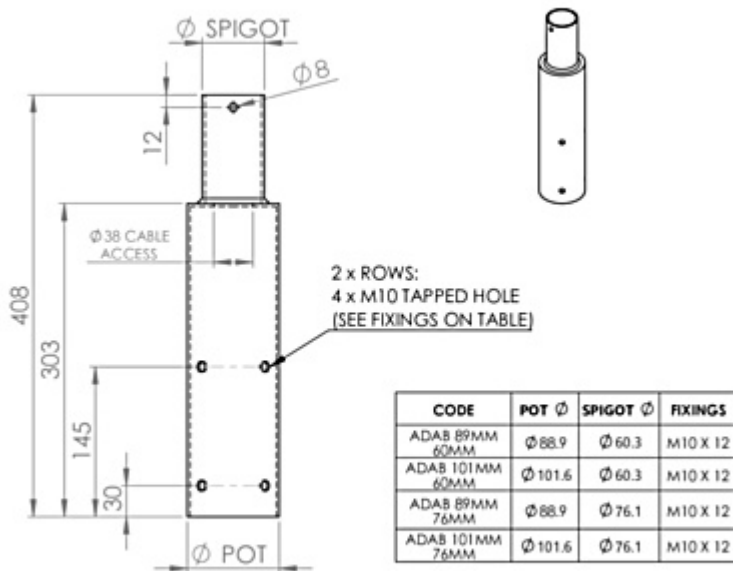
CODE	POT Ø	COL Ø	PROJECTION
ADABO 89mm 76mm 150mm	Ø89	Ø76	150mm
ADABO 89mm 76mm 500mm	Ø89	Ø76	500mm
ADABO 89mm 76mm 750mm	Ø89	Ø76	750mm

ADABO Column Adaptor Out Reach

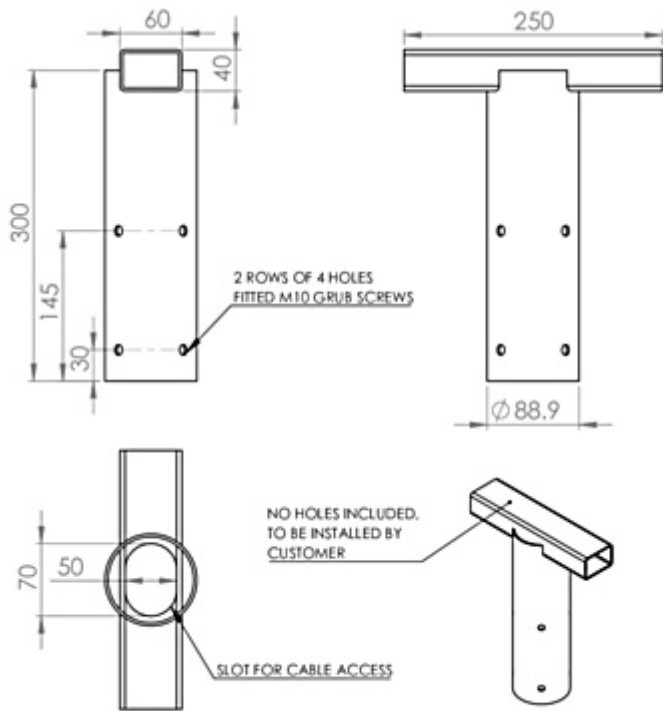
>



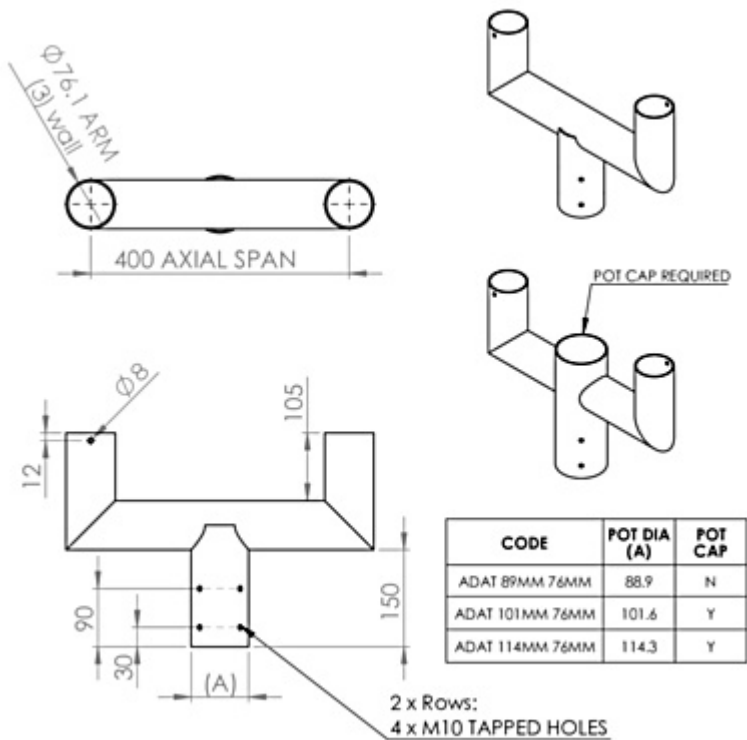
ADAW Wall Bracket



ADAB Column Adaptor Base Mount



ADAF Floodlighting Bracket



ADAT Column T Adaptor

WARRANTY

At Dextra our commitment to service has been at the forefront throughout our history spanning more than forty years in the UK lighting market. Our service ethos extends beyond design and delivery, we believe supporting your installation throughout the warranty period is equally crucial, whilst the strength and longevity of Dextra Group provides peace of mind that our warranty will be supported throughout.

The Dextra range is supplied with a five year warranty commencing from the date of delivery. During the first three years defects will be repaired on site and the warranty will include both parts and labour. For the final two years drivers, emergency modules, wireless modules, sensors and LED circuits will be supplied free of charge to replace defective components, labour and other associated costs are not included.

Certain ranges and components are subject to exemptions:

- Lithium batteries are provided with a five year warranty. During the first three years defects will be repaired on site and the warranty will include both parts and labour. For the final two years replacement batteries will be supplied free of charge to replace defective components. Five year warranty became effective as of 03/02/25, Lithium emergency luminaires supplied prior to this date are supported with a three year on site warranty only. Labour and other associated costs are not included. Nickel Metal Hydride and Nickel Cadmium batteries are provided with a one year warranty for parts and labour.
- Emergency luminaires including AME LED, EXI LED, EXI2 LED, EXI Track, HBE LED, HBE2 LED, OAT2 LED, OEZ LED and Twinspot with Nickel Metal Hydride batteries are supplied with a one year warranty for parts and labour. Lithium variants of these ranges are supplied with a three year warranty for parts and labour with the exception of the AME2, EXI3, HBE3 and TWS IP65 L7 ranges which are supplied with a one year parts and labour warranty. TWS IP65 L7 in autotest and wireless variants are supplied with the standard three year lithium battery warranty.
- Protec Micro, PTECF7 Fire Rated Downlights, Serenus and the Opus Sconce are provided with a five year replacement luminaire only warranty. Protec FR Fire Rated Downlights are provided with a 2 year replacement luminaire only warranty.
- Controls systems such as standalone sensors, switches, marshalling boxes and cabling are provided with a one year warranty for both parts and labour. DALI control systems are provided with a two year warranty for both parts and labour.
- LEDextra ranges are supplied with a three year parts or replacement luminaire only warranty with the exception of the IMPR RGBW, the Runway RBGW, the MOD RGBW, Tanek RGBW and the DexRing. These five ranges are supplied with our standard five year warranty during which defects within the first three years will be repaired on site and the warranty includes both parts and labour. For the final two years free of charge replacement components only will be supplied to rectify any failures but labour and other associated costs are not included.
- LEDEX ranges are supplied with a three year replacement luminaire only warranty.

- The Decorative Pendant ranges, Bebo, Dene, Nova, Fino and Stix are supplied with a 3 year replacement luminaire only warranty.

All warranties are subject to correct use of the product and will be invalidated by misuse, for example incorrect installation, unsuitable environmental conditions or incorrect maintenance. It is the duty of the customer to ensure that all the fault lies with the luminaire prior to requesting replacement parts or site repairs. In the event that no defect is found with the product our costs for attending site will be recharged to the customer and credit will not be issued against returned products. No consequential losses incurred resulting from any defect with our product will be reimbursed.

Given the nature of LED technology a small percentage of LEDs may fail during the lifetime of a luminaire, this does not cause a reduction in lumen output. As such LED luminaires are only deemed to be faulty for warranty purposes when in excess of ten percent of LEDs have failed in a single luminaire.

On site repair of products under warranty will be undertaken during normal working hours, 9am to 5pm Monday to Friday, and will require unrestricted access to luminaires. Where required Dextra will provide access equipment to carry out repairs at height, should luminaires have been installed in locations where reasonable provision for maintenance access has not been made we reserve the right to supply replacement product only. On site warranty repairs will only be undertaken on the mainland of the UK and Ireland, in all other locations replacement product only will be provided.

If you require any assistance with regards to our products please contact our Customer Services department on 01747 858100.

ORDER CODES

COLUMN ADAPTORS BASE MOUNT

Code	Description
ADAB 89MM 76MM	Adaptor Base Mount, 89mm Column Diameter, 76mm Luminaire Spigot
ADAB 101MM 76MM	Adaptor Base Mount, 101mm Column Diameter, 76mm Luminaire Spigot
Code	Description
ADAO 42MM 60MM	Adaptor Out Reach, 42mm Column Diameter, 60mm Luminaire Spigot
Code	Description
ADABO 89MM 76MM 150MM	Column Base Mount Out Reach Arm, 89mm Column Diameter, 76mm Out Reach Arm, 150mm Projection
ADABO 89MM 76MM 500MM	Column Base Mount Out Reach Arm, 89mm Column Diameter, 76mm Out Reach Arm, 500mm Projection
ADABO 89MM 76MM 750MM	Column Base Mount Out Reach Arm, 89mm Column Diameter, 76mm Out Reach Arm, 750mm Projection
Code	Description
ADAT 89MM 76MM	Column Base Mount Adaptor T, 89mm Column Diameter, 76mm Luminaire Spigot
ADAT 101MM 76MM	Column Base Mount Adaptor T, 101mm Column Diameter, 76mm Luminaire Spigot
ADAT 114MM 76MM	Column Base Mount Adaptor T, 114mm Column Diameter, 76mm Luminaire Spigot
Code	Description
ADAW 42MM 500MM	Wall Bracket, 42mm Luminaire Spigot, 500mm Projection
ADAW 42MM 750MM	Wall Bracket, 42mm Luminaire Spigot, 750mm Projection
ADAW 42MM 1000MM	Wall Bracket, 42mm Luminaire Spigot, 1000mm Projection
Code	Description
ADAF 89MM 250MM	Column Base Mount Flood Bracket, 89mm Column Diameter, 250mm Span
ADAF 89MM 500MM	Column Base Mount Flood Bracket, 89mm Column Diameter, 500mm Span
ADAF 89MM 1000MM	Column Base Mount Flood Bracket, 89mm Column Diameter, 1000mm Span
ADAF 114MM 500MM	Column Base Mount Flood Bracket, 114mm Column Diameter, 500mm Span
ADAF 114MM 1000MM	Column Base Mount Flood Bracket, 114mm Column Diameter, 1000mm Span

All adaptors are available in multiple sizes and projection lengths, please enquire with our sales department if your requirement is not shown above.

Please ensure that your column is suitable for the adaptor or bracket selected and will not result in safe loading of the column being exceeded.