



PRODUCT SPECIFICATION

AluLED



INTRODUCTION

The AluLED is designed for indirect accent lighting to create a range of decorative effects. The slim design ensures the AluLED is ideal for cove lighting, shadow gaps and other concealed spaces where decorative lighting effects are required to enhance the space. With an IP67 construction the AluLED is suitable for both internal and external applications whilst the modular design and spring steel mounting clip allows multiple lengths to be operated from a single driver for quick and simple installation to suit a range of concealed applications.

**UK
CA** CE IP67 24V

APPLICATION

- Accent Lighting
- Canteen
- Commercial / Offices
- Corridor
- Display Lighting
- Exterior
- Food / Clean Area

- › Healthcare / Social Housing
 - › Hotel / Leisure
 - › Kitchen
 - › Office
 - › Retail
 - › Stairwell
 - › Toilet
-

SPECIFICATION

CONSTRUCTION

- › Pre wired with IP67 click lock connectors
- › Spring steel mounting clip
- › IP67 ingress protection

ENVIRONMENTAL

- › Designed to allow simple replacement of components with commonly available tools in compliance with the Eco Design Directive, please see the installation leaflet for maintenance instructions.
- › Powered by European branded drivers and emergency modules ensuring replacement parts are easily sourced.
- › Every luminaire is labelled with a unique ID number allowing easy identification of spare parts for the lifetime of the product.
- › Contains no single use plastics or polystyrene packaging.
- › Supplied in plain card boxes with paper tape ensuring packaging is easily recycled.
- › Designed to allow simple disassembly for end of life recycling.
- › UK based manufacturing providing local support throughout the product lifetime and minimising transportation miles.

VARIATIONS

- › 120mm, 320mm, 920mm, 1220mm lengths
- › Custom lengths available upon request
- › Anti-tamper clips available
- › Large range of remote LED drivers available with different dimming options
- › 3000k or 4000k colour temperatures

PERFORMANCE

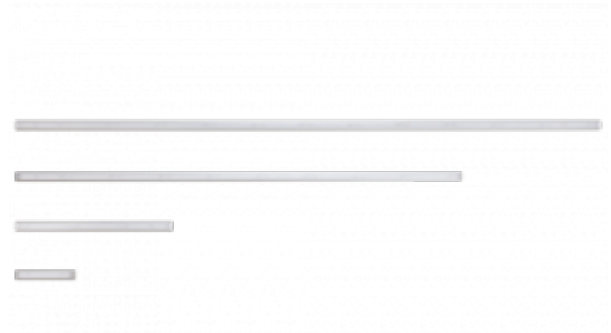
- › AluLED is suitable for -20 to +85°C ambient temperatures, driver operating temperatures may vary from this specification

IMAGES

PRODUCT IMAGES



AluLED IP67 (Clear)



AluLED IP20 (Opal) (Available on request)



AluLED IP67 (Clear) Close Up



AluLED Cross Section



AluLED Cool White



AluLED Warm White

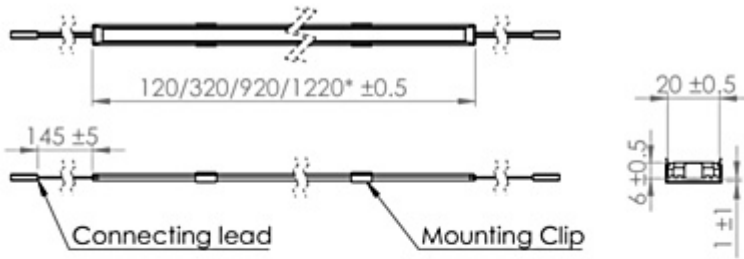
PROJECT IMAGES



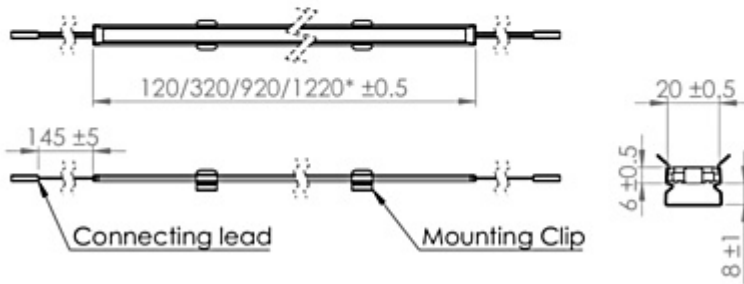
TECHNICAL

>

Standard mounting clip



Deep mounting clip (ordered separately)



*Bespoke lengths available upon request

AluLED

WARRANTY

At Dextra our commitment to service has been at the forefront throughout our history spanning more than forty years in the UK lighting market. Our service ethos extends beyond design and delivery, we believe supporting your installation throughout the warranty period is equally crucial, whilst the strength and longevity of Dextra Group provides peace of mind that our warranty will be supported throughout.

The Dextra range is supplied with a five year warranty commencing from the date of delivery. During the first three years defects will be repaired on site and the warranty will include both parts and labour. For the final two years drivers, emergency modules, wireless modules, sensors and LED circuits will be supplied free of charge to replace defective components, labour and other associated costs are not included.

Certain ranges and components are subject to exemptions:

- Lithium batteries are provided with a five year warranty. During the first three years defects will be repaired on site and the warranty will include both parts and labour. For the final two years replacement batteries will be supplied free of charge to replace defective components. Five year warranty became effective as of 03/02/25, Lithium emergency luminaires supplied prior to this date are supported with a three year on site warranty only. Labour and other associated costs are not included. Nickel Metal Hydride and Nickel Cadmium batteries are provided with a one year warranty for parts and labour.

- Emergency luminaires including AME LED, EXI LED, EXI2 LED, EXI Track, HBE LED, HBE2 LED, OAT2 LED, OEZ LED and Twinspot with Nickel Metal Hydride batteries are supplied with a one year warranty for parts and labour. Lithium variants of these ranges are supplied with a three year warranty for parts and labour with the exception of the AME2, EXI3, HBE3 and TWS IP65 L7 ranges which are supplied with a one year parts and labour warranty. TWS IP65 L7 in autotest and wireless variants are supplied with the standard three year lithium battery warranty.
- Protec Micro, PTECF7 Fire Rated Downlights, Serenus and the Opus Sconce are provided with a five year replacement luminaire only warranty. Protec FR Fire Rated Downlights are provided with a 2 year replacement luminaire only warranty.
- Controls systems such as standalone sensors, switches, marshalling boxes and cabling are provided with a one year warranty for both parts and labour. DALI control systems are provided with a two year warranty for both parts and labour.
- LEDextra ranges are supplied with a three year parts or replacement luminaire only warranty with the exception of the IMPR RGBW, the Runway RGBW, the MOD RGBW, Tanek RGBW and the DexRing. These five ranges are supplied with our standard five year warranty during which defects within the first three years will be repaired on site and the warranty includes both parts and labour. For the final two years free of charge replacement components only will be supplied to rectify any failures but labour and other associated costs are not included.
- LEDEX ranges are supplied with a three year replacement luminaire only warranty.
- The Decorative Pendant ranges, Bebo, Dene, Nova, Fino and Stix are supplied with a 3 year replacement luminaire only warranty.

All warranties are subject to correct use of the product and will be invalidated by misuse, for example incorrect installation, unsuitable environmental conditions or incorrect maintenance. It is the duty of the customer to ensure that all the fault lies with the luminaire prior to requesting replacement parts or site repairs. In the event that no defect is found with the product our costs for attending site will be recharged to the customer and credit will not be issued against returned products. No consequential losses incurred resulting from any defect with our product will be reimbursed.

Given the nature of LED technology a small percentage of LEDs may fail during the lifetime of a luminaire, this does not cause a reduction in lumen output. As such LED luminaires are only deemed to be faulty for warranty purposes when in excess of ten percent of LEDs have failed in a single luminaire.

On site repair of products under warranty will be undertaken during normal working hours, 9am to 5pm Monday to Friday, and will require unrestricted access to luminaires. Where required Dextra will provide access equipment to carry out repairs at height, should luminaires have been installed in locations where reasonable provision for maintenance access has not been made we reserve the right to supply replacement product only. On site warranty repairs will only be undertaken on the mainland of the UK and Ireland, in all other locations replacement product only will be provided.

If you require any assistance with regards to our products please contact our Customer Services department on 01747 858100.

ORDER CODES

LUMINAIRE

Code	Description	Power	Luminous Flux
AluLED1204C	AluLED, 120mm, 4000k, IP67, 47mA, Colour 84	1.13W	100lm
AluLED1203C	AluLED, 120mm, 3000k, IP67, 47mA, Colour 83	1.13W	90lm
AluLED3204C	AluLED, 320mm, 4000k, IP67, 140mA, Colour 84	3.4W	300lm
AluLED3203C	AluLED, 320mm, 3000k, IP67, 140mA, Colour 83	3.4W	240lm
AluLED9204C	AluLED, 920mm, 4000k, IP67, 420mA, Colour 84	10.1W	900lm
AluLED9203C	AluLED, 920mm, 3000k, IP67, 420mA, Colour 83	10.1W	720lm
AluLED12204C	AluLED, 1220mm, 4000k, IP67, 560mA, Colour 84	13.5W	1200lm
AluLED12203C	AluLED, 1220mm, 3000k, IP67, 560mA, Colour 83	13.5W	960lm

AluLED IP20 Opal available on request

MISCELLANEOUS

Code	Description
C569	2 Strand Starter lead
C5691	2 Strand interconnecting lead 500mm
C5638	AluLED Deep Clip

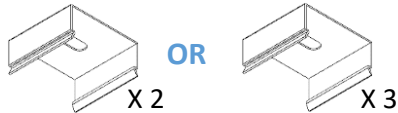
24V DC
IP20 or IP66/67



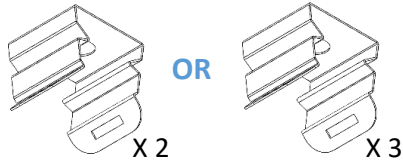
Terminal Labelling:	
Power	
L1	Switched Live
E	Earth
N	Neutral
Emergency	
L2	Unswitched Live
DA/AT3	DALI Autotest
DA/AT3	DALI Autotest
Dimming	
-/D1/DA	Analogue/DSI/DALI
+/D2/DA	Analogue/DSI/DALI
L3	Switch Dim / Corridor Function

WARNING: Luminaire must be earthed. Risk of electric shock from LED boards if operated with cover removed. Installation / operation outside of luminaires intended scope invalidates warranty. Suitable only for domestic / light industrial / industrial applications within the scope of EN55015. Tested to compliance with BSEN 60598: specification for general requirements and tests. Must be installed by a suitably qualified person in accordance with all relevant legislation. Ambient operating temperature of 0°C to 25°C. If maximum operating temperature is exceeded luminaire will automatically dim / switch off. Terminal blocks are rated to 16A unless stated otherwise. The light source is non replaceable. **LUMINAIRES WITH EMERGENCY PACK:** When supply is isolated battery output terminals may be live if battery is connected. Isolate mains and battery before servicing. Emergency luminaires require unswitched live connection taken from same phase as switched supply. When unswitched supply is connected status indicator illuminates green, when unswitched supply is disconnected indicator extinguishes and luminaire operates in emergency mode. 24 hour charge period required before undertaking full discharge test. Emergency test sheets provided should be used to record all emergency tests. Batteries should be replaced when 3 hour duration is not met. Excessive switching of permanent live may result in premature battery failure. Battery electrolyte can be harmful to eyes / open wounds, do not puncture, if electrolyte touches skin / eyes flush with water. Do not incinerate batteries.

1. Standard mounting clip

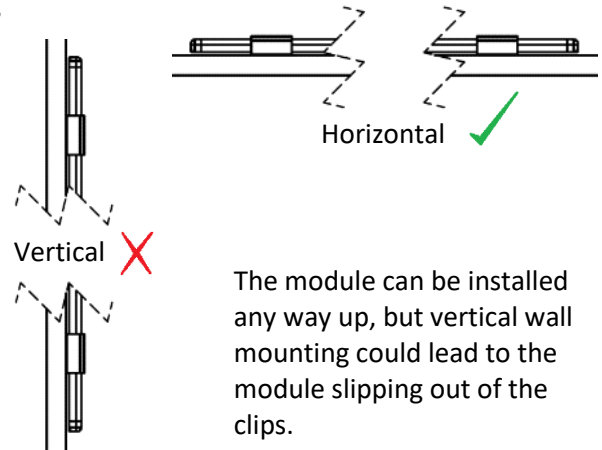


Deep mounting clip (ordered separately)



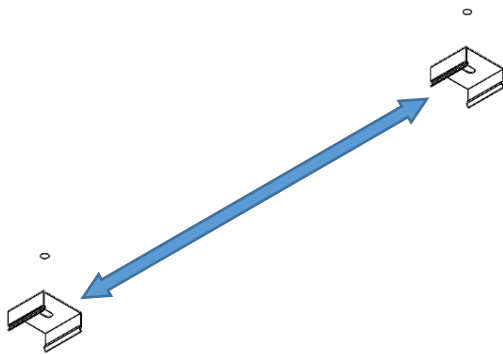
Depending on the length of the AluLED module, each of them are supplied with either 2 or 3 clips for installation.

2.



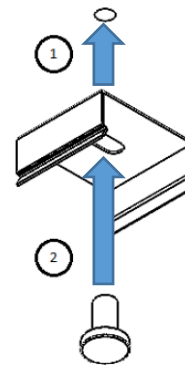
The module can be installed any way up, but vertical wall mounting could lead to the module slipping out of the clips.

3.



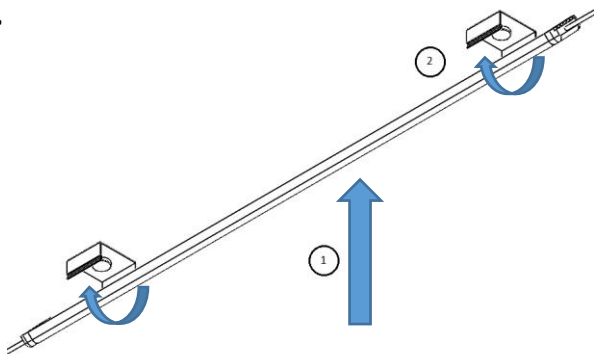
Position the clips in the desired location. The space left between the mounting clips must ensure the module neither bends nor bows.

4.



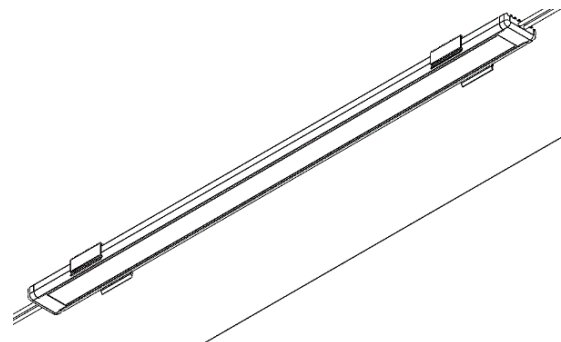
Screw the clips firmly to the mounting surface (a solid, load-bearing substrate).

5.



Raise the AluLED module up and 'snap' into place

6.



This AluLED module is now mounted securely.

Technical Details:

Current supply: 24V DC

Radiating angle: 120°

Ambient temperature ta: -30 to +85 °C

Storage temperature: -40 to +85 °C

Degree of Protection: IP20 or IP66/IP67

Max. Current Load: 3 A

Luminous Flux Degradation: L70/B20 >50,000 hours at tp/tc = 50 °C

CE Requirements: IEC/TR 62778

Photobiological Safety: In accordance with the IEC 62471:2006 standard "Photobiological safety of lamps and lamp systems", AluLED modules belong to risk category 1. Classification was undertaken in accordance with IEC/TR 62778 at a distance of 20 cm.

Safety Instructions:

- AluLED products may only be installed and commissioned by authorised and qualified staff.
- Please read these instructions carefully prior to installing and commissioning the system since this is the only way to ensure safe and proper system operation. You are recommended to keep these instructions in a safe place for possible future reference.
- Any work undertaken on a device must only be performed after disconnection from the mains.
- Relevant safety and accident prevention measures must be observed.
- Products must never be improperly opened since electrical voltage poses a risk to life. Repairs must only be performed by the manufacturer.
- Connecting feeder/supply lines to external voltage, e.g. 230 V mains voltage, can destroy individual system components.

Mounting:

Vossloh-Schwabe's AluLED IP20 modules are designed for contour and object lighting in protected indoor areas. Vossloh-Schwabe's AluLED IP66/IP67 modules are designed for indoor and protected outdoor applications. Typical application areas are:

- contour, building and path lighting in protected outdoor areas,
- lighting for bathrooms and wet rooms, and
- lighting for refrigerated counters.

Mounting clips (brackets) are used to attach AluLED modules to a solid, load-bearing substrate. The mounting clips must be attached to the substrate using screws. The space left between the mounting clips must ensure the module neither bends nor bows. Once properly mounted, the AluLED module must be firmly enclosed by the mounting clips. The module can be installed any way up, but vertical wall mounting could lead to the module slipping out of the clips.

Sufficient clearance must be left to other neighbouring objects to allow for the longitudinal thermal expansion of the module. Care must equally be taken to ensure any collecting water (e.g. rain) can drain. To prevent corrosion, contact with base metals, aggressive fluids and gases must be avoided. Operation in environments that are chemically enriched with (aggressive) chemical substances can impair functionality and can even result in total module failure. Detailed information as well as examples of hazardous environments and chemical substances can be found in the document "Chemical Incompatibilities Affecting LEDs", published by Vossloh-Schwabe Deutschland GmbH (www.vossloh-schwabe.com).

Installation Instructions:

1. When using several modules, the connector of a feed-out line must be attached to the connector of the following module's feed-in line.
2. The final feed-out line must be protected against humidity and water ingress with a connector.
3. Connect control gear's feed-in line to the control gear unit (24 V constant current driver with a constant output voltage of 24 V \pm 0.5 V).
4. Check the polarity of the control gear's feed-in line (red + / black -).
5. Attach the control gear's feed-in line to the connector of the (first) AluLED module's feed-in line.
6. Calculate the total power uptake of the connected AluLED modules and compare the value with the data supplied for the connected control gear. Should the control gear's permissible total power uptake be exceeded, the equipment needs to be replaced with an adequately rated control gear unit.
7. Connect the control gear to the power supply in accordance with the installation instructions.

Each AluLED module is fitted with a pre-assembled feed-in line with a connecting terminal as well as with a feed-out line with a connector for looping the supply voltage through to the next AluLED module. Should this not be necessary, the spare connector must be protected against the ingress of humidity. Alternatively, the connecting terminal can be removed and the exposed connecting wires sealed using shrink caps that are internally coated with adhesive (Ref. No.: 543430 (transparent) or 543431 (black)). If only one such shrink cap is used to seal both connecting wires, care must be taken to ensure the wires are of differing lengths to prevent the internal metal conductors from touching one another.

The connecting terminals and connectors of the pre-assembled connecting leads prevent any reversal of polarity. Only the polarity of the control gear's requisite feed-in line (Ref. No.: 543426) can be reversed when connecting it to the control gear. Prior to commissioning, care must be taken to ensure the polarity of the control gear's feed-in line is correct. The red cable is "+" and the black cable is "-".

A 24 V constant current driver with a constant output voltage (24 V \pm 0.5 V) must be used for control gear purposes. To ensure safe operation this 24 V constant current driver should also be fitted with protection against overvoltages, short-circuiting and overheating.

The maximum 3 A current load on the voltage supply line, the control gear's feed-in line and the extension lead must not be exceeded. The resulting maximum number of AluLED modules that can be connected is additionally dependent on the maximum output current of the 24 V constant current driver with a constant output voltage as well as the voltage drop caused by the AluLED modules and their leads.

Further Information:

If the distance between the control gear and the (first) AluLED module is too great to be bridged using the feed-in lines of the control gear and the AluLED module, a VS extension lead (Ref. No.: 543427) must be used to close the gap. Should an extension lead additionally be used to connect AluLED modules that are farther away, the unavoidable electrical resistance of the extension lead will cause a more pronounced voltage drop, which in turn can impair the functionality of the AluLED modules. AluLED modules are designed for operation with a constant voltage of 24 V \pm 0.5 V.