



PRODUCT SPECIFICATION

RLS REMOTE SENSOR



INTRODUCTION

The Reacta-Link Standalone Sensor is a recessed standalone passive infrared sensor offering presence detection and wireless connectivity for use with our Reacta-Link wireless system.

FEATURES & BENEFITS

- Mounting Type: Recessed
- Wireless: Yes
- 4Maximum Mounting Height: m
- Occupancy Detection: PIR
- Daylight Control: None
- Output: Wireless
- Supply Power Source: 230V
- IP Rating: IP20
- Programmer: Commissioning Software

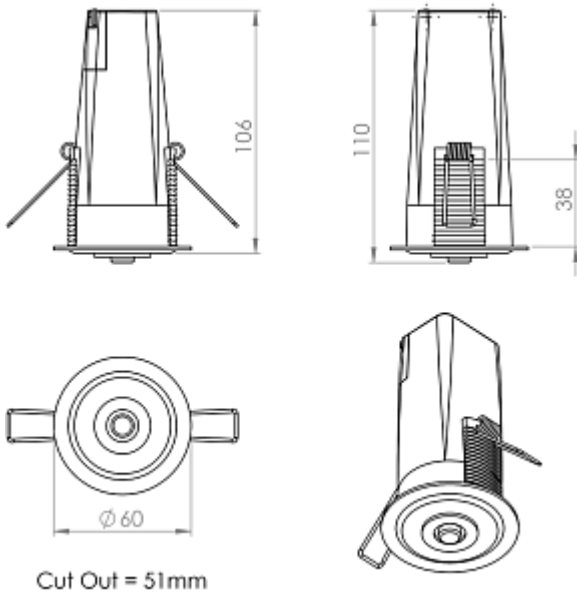
ADJUSTABLE PARAMETERS

- Occupied mode: Presence/Absence/Manual
- Occupied Time: up to 2 hours
- Transisiton Time: up to 2 hours
- Grouping: Enabled/Disabled
- More parameters available on programmer

IMAGES



DIAGRAMS



SENSOR DETECTION

