



PRODUCT SPECIFICATION

REAF 7 DR15 LL SENSOR



INTRODUCTION

The REAF 7 DR15 LL is a Recessed flush mounted passive infrared occupancy and daylight sensor with DALI or DSI dimming and fixed output relay control.

FEATURES & BENEFITS

- Mounting Type: Recessed
- Wireless: No
- Maximum Mounting Height: 3.5M
- Occupancy Detection: PIR
- Daylight Control: Daylight Regulation/Bright Out
- Detection Diameter - Micro: 7M at 2.5M mounting height
- Detection Diameter - Macro: 10M at 2.5M mounting height
- Output: DSI/DALI/Relay
- Programmer: REA-DPA/REA 7 PTH DIR
- Voltage: 230v 50/60Hz
- Control: 15 DALI or DSI Drivers/10A relay
- IP Rating: IP4x
- Colour: White
- Standby Power: 0.15W

APPLICATION

- Classrooms
- Corridors
- Hospitals
- Lobby's
- Meeting Rooms
- Offices
- Receptions

ADJUSTABLE PARAMETERS

- Detect Occupancy: Yes/No
- Power Up State: Occupied/transition/background/unoccupied
- Occ trigger mode: Presence/Absence
- Off Delay: 10 seconds - 96 hours
- Photocell: Enabled/disabled
- Bright Out: NO/YES
- Set point Low: 0 to 1023

- Set point High: 0 to 1023
- Transition Timer: None/10 seconds - 96 hours
- Background Timer: None/10 seconds - 96 hours

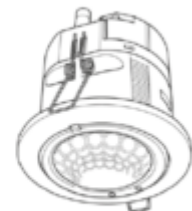
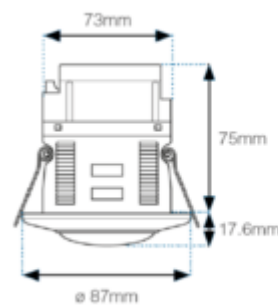
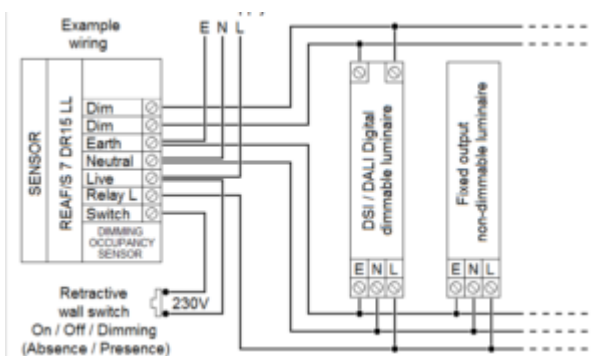
More parameters available on programmer

- REA7 PTHDIR
- REA DPA
- REA7 UCHDIR

IMAGES

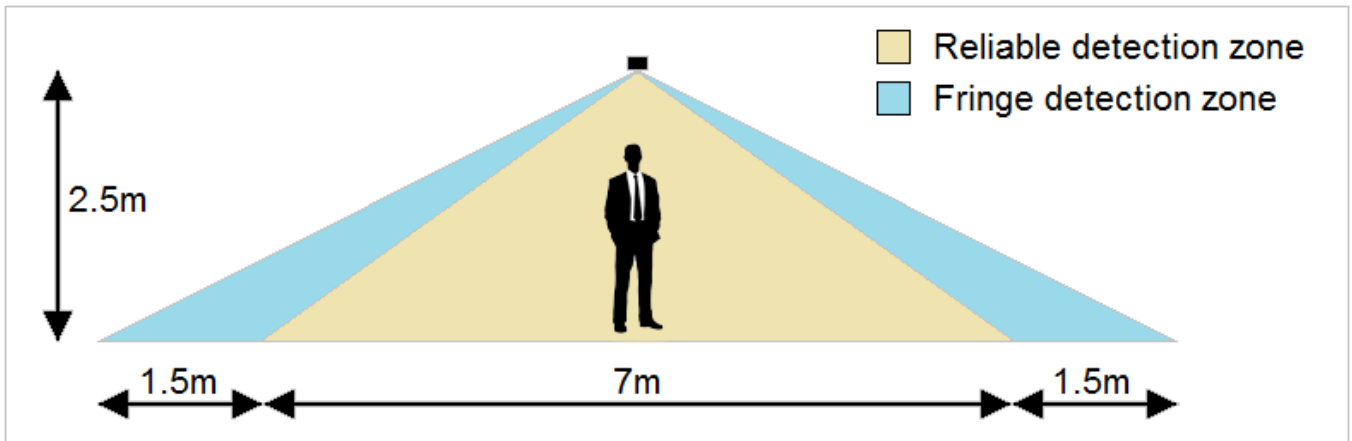


DIAGRAMS





SENSOR DETECTION



ORDER CODES

SENSOR

Code	Description
REA 7 SURFMT	Reacta 7 Surface Mounting Kit
REA 7 WMK	Reacta 7 Wall Mounting Kit