



PRODUCT SPECIFICATION

REAF 7 DR15 LL ML T SENSOR



INTRODUCTION

The REAF 7 DR15 LL ML T is a Recessed flush mounted passive infrared occupancy and daylight sensor with DALI or DSI dimming and fixed output relay control. Bus linking allows for one primary and three secondary sensors to act as one control group. Comes with tiltable lens.

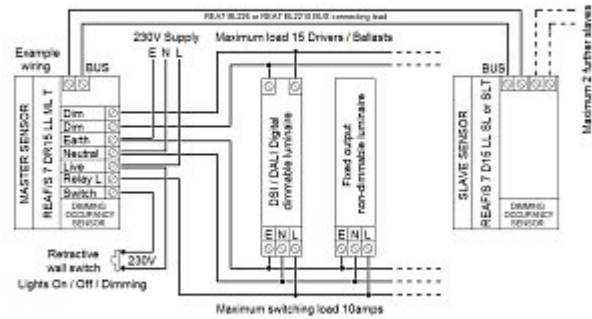
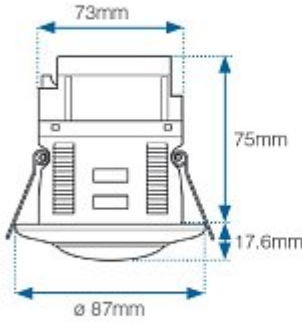
FEATURES & BENEFITS

- Mounting Type: Recessed
- Wireless: No
- Maximum Mounting Height: 3.5m
- Occupancy Detection: PIR
- Daylight Control: Daylight Regulation
- Output: DALI
- Output: On/Off
- Supply Power Source: 230V
- IP Rating: IP4X
- Standby Power: 0.15W
- Programmer: REA DPA

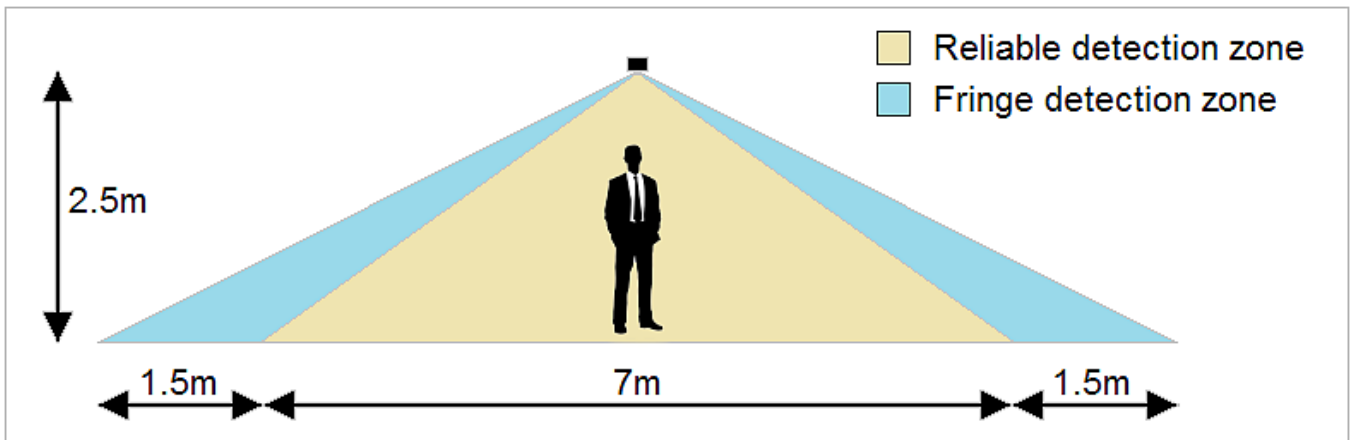
IMAGES



DIAGRAMS



SENSOR DETECTION



ORDER CODES

Code	Description
REAF 7 DR15 LL ML T	Flush Mounted, Low Level, 10Amp Switching Relay, DSU/DALI Dimming, Manual Override, IP4X
REA 7 SURFMT	Reacta 7 Surface Mounting Kit
REA 7 WMK	Reacta 7 Wall Mounting Kit