



## PRODUCT SPECIFICATION

---

REAF 7 D15 LL SL SENSOR



---

## INTRODUCTION

---

The REAF 7 D15 LL SL is a Recessed flush mounted passive infrared occupancy and daylight sensor with DALI or DSI dimming and fixed output relay control. Bus linking allows for one primary and three secondary sensors to act as one control group.

---

## FEATURES & BENEFITS

---

- Mounting Type: Recessed
- Wireless: No
- Maximum Mounting Height: 3.5m
- Occupancy Detection: PIR
- Daylight Control: Daylight Regulation
- Output: DALI
- Supply Power Source: 12V-24V DC
- IP Rating: IP4X
- Standby Power: 0.16W
- Programmer: REA DPA

---

## IMAGES

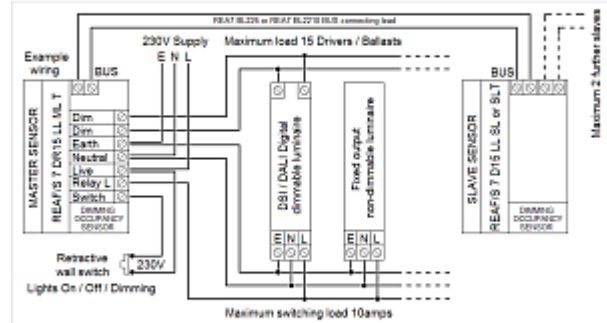
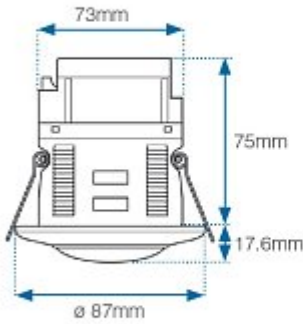
---



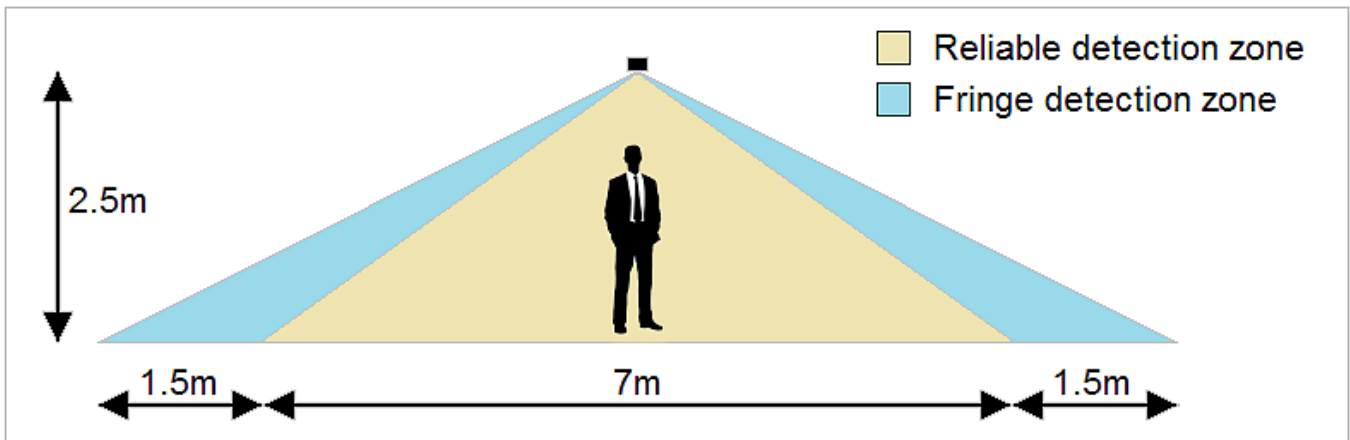
---

## DIAGRAMS

---



## SENSOR DETECTION



## ORDER CODES

Code	Description
REAF 7 D15 LL SL	Flush Mounted, Low Level, DSU/DALI Dimming, Manual Override, IP4X, BUS Link Secondary
REA 7 SURFMT	Reacta 7 Surface Mounting Kit
REA 7 WMK	Reacta 7 Wall Mounting Kit