



# PRODUCT SPECIFICATION

---

REAF 6 PIR CDR SENSOR



---

## INTRODUCTION

---

The REAF 6 PIR CDR is a recessed flush mounted passive infrared occupancy and daylight sensor for use with the Reacta 6 series Programmable lighting control modules (LCM).

---

## FEATURES & BENEFITS

---

- Mounting Type: Recessed
- Wireless: No
- Maximum Mounting Height: 3.5m
- Occupancy Detection: PIR
- Daylight Control: Daylight Regulation
- Supply Power Source: 12V-24V DC
- IP Rating: IP4X
- Programmer: REA DPA

---

## IMAGES

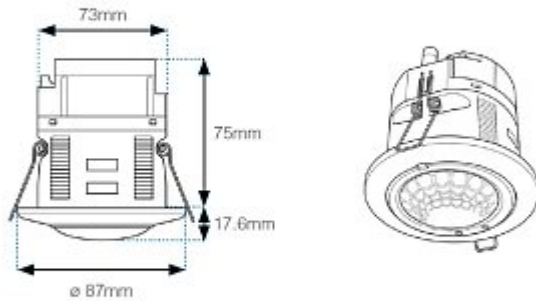
---



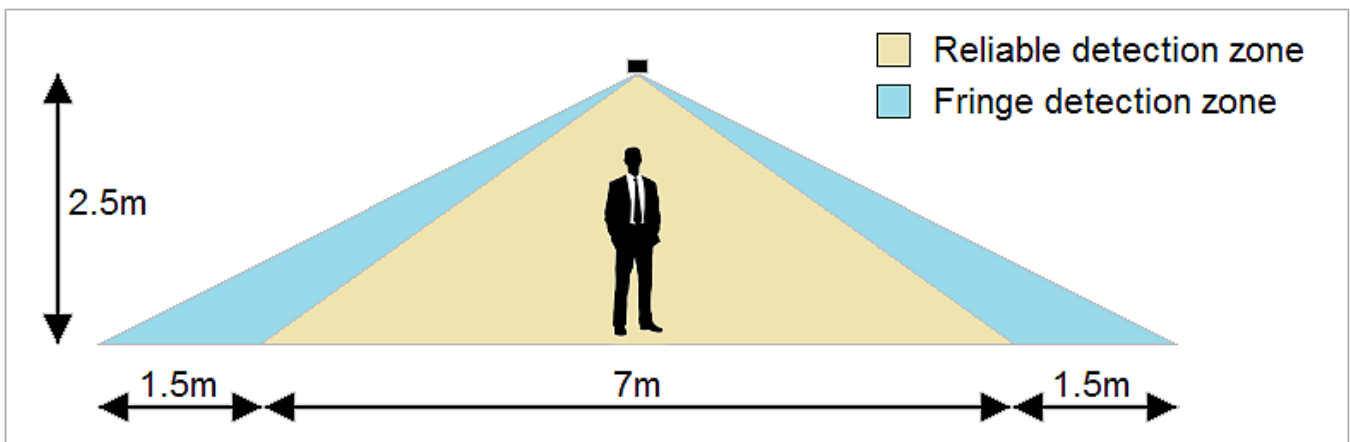
---

## DIAGRAMS

---



## SENSOR DETECTION



## ORDER CODES

| Code           | Description                   |
|----------------|-------------------------------|
| REAF 6 PIR CDR | Reacta 6 recessed PIR         |
| REA 7 SURFMT   | Reacta 7 Surface Mounting Kit |
| REA 7 WMK      | Reacta 7 Wall Mounting Kit    |