



PRODUCT SPECIFICATION

R37DF SENSOR



INTRODUCTION

The Reacta 37 - R37DF sensor is a recessed flush mounted standalone photocell dimming sensor for controlling digitally dimmable luminaires.

FEATURES & BENEFITS

- Mounting Type: Recessed
- Wireless: No
- Maximum Mounting Height: 10m
- Daylight Control: Daylight Regulation
- Output: DALI
- Supply Power Source: 230V
- IP Rating: IP20
- Programmer: REA AP

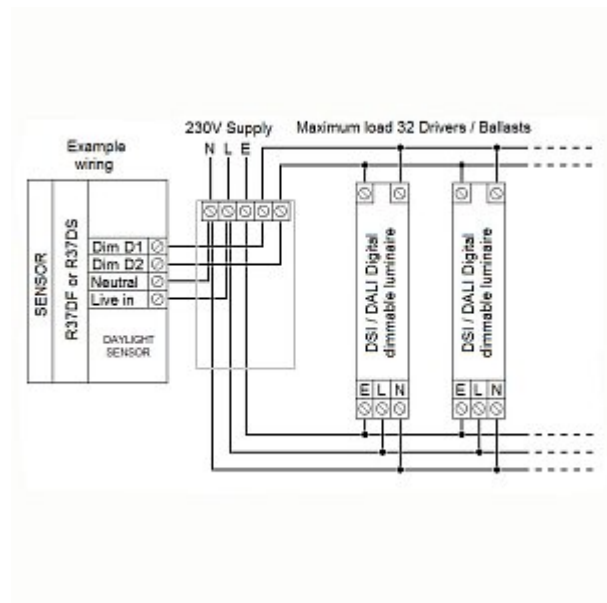
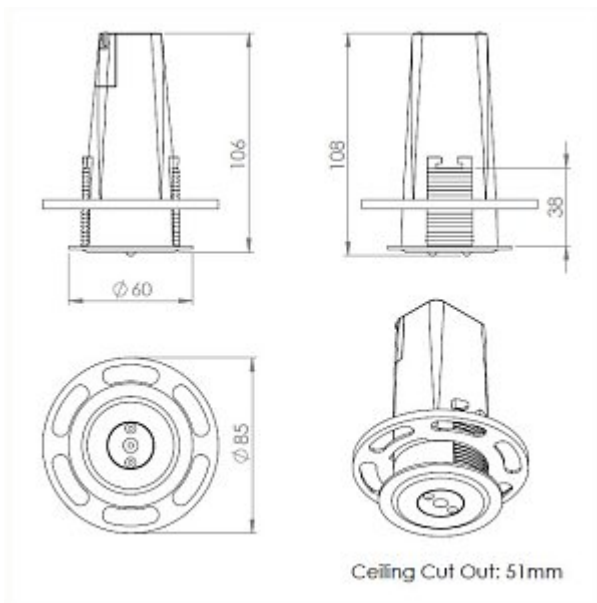
ADJUSTABLE PARAMETERS

- Occupied Level: 1-100%
- Transition Time: up to 60 minutes or forever
- Transition Level: 1-100%
- Daylight Regulation: Enabled/Disabled
- Bright Out Mode: Enabled/Disabled
- Daylight Regulation level: up to 1000Lux
- More parameters available on programmer

IMAGES



DIAGRAMS



ORDER CODES

Code	Description
R37DF	Reacta 37 Sensor, Recessed Flush Mounted, Standalone, Photocell Dimming, Digital Dimming