

Comtec Surface / Suspended Installation

220-240V / 50-60Hz
IP20



WARNING: Luminaire must be earthed. Risk of electric shock from LED boards if operated with cover removed. Installation / operation outside of luminaires intended scope invalidates warranty. Suitable only for domestic / light industrial / industrial applications within the scope of EN55015. Tested to compliance with BSEN 60598: specification for general requirements and tests. Must be installed by a suitably qualified person in accordance with all relevant legislation. Ambient operating temperature of 0°C to 25°C. If maximum operating temperature is exceeded luminaire will automatically dim / switch off. Terminal blocks are rated to 16A unless stated otherwise. The light source contained in this luminaire shall only be replaced by the manufacturer or his service agent or a similar qualified person. **LUMINAIRES WITH EMERGENCY PACK:** When supply is isolated battery output terminals may be live if battery is connected. Isolate mains and battery before servicing. Emergency luminaires require unswitched live connection taken from same phase as switched supply. When unswitched supply is connected status indicator illuminates green, when unswitched supply is disconnected indicator extinguishes and luminaire operates in emergency mode. 24 hour charge period required before undertaking full discharge test. Emergency test sheets provided should be used to record all emergency tests. Batteries should be replaced when 3 hour duration is not met. Excessive switching of permanent live may result in premature battery failure. Battery electrolyte can be harmful to eyes / open wounds, do not puncture, if electrolyte touches skin / eyes flush with water. Do not incinerate batteries.

Terminal Labelling:	
Power	
L1	Switched Live
E	Earth
N	Neutral
Emergency	
L2	Unswitched Live
DA/AT3	DALI Autotest
DA/AT3	DALI Autotest
Dimming	
-/D1/DA	Analogue/DSI/DALI
+/D2/DA	Analogue/DSI/DALI
L3	Switch Dim / Corridor Function

1.

Unpack luminaire and remove the three screws as shown. This will release the body from the base.

2.

Remove the base from the main body.

3.

Offer up the base up to the ceiling and drill a suitable cable entry hole in the centre behind the base. The hole should be approximately 20mm in diameter.

Secure the base to the ceiling using three suitable screws (not supplied).

4.

Feed the mains cable in through the drilled hole in the ceiling and through the base. Wire into the relevant terminals in the main housing and ensure the cable clamp is secured.

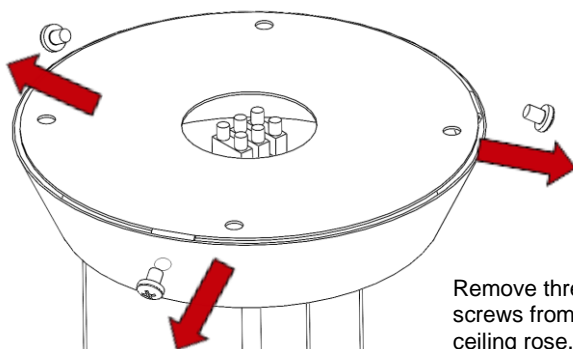
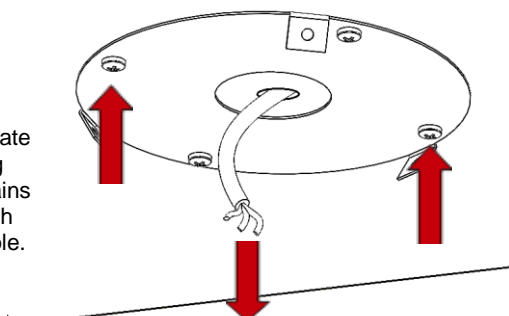
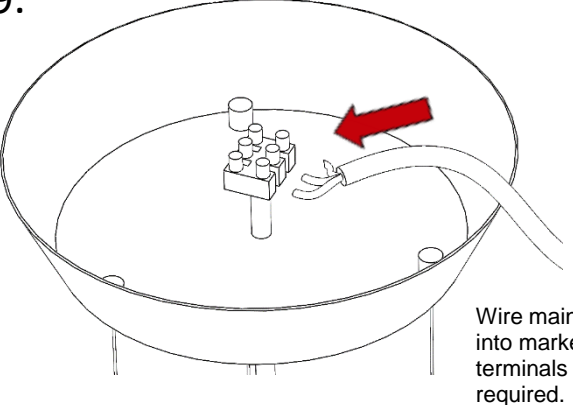
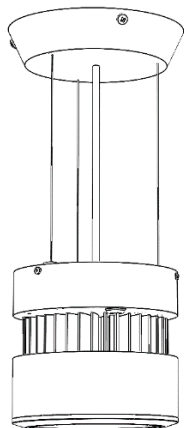
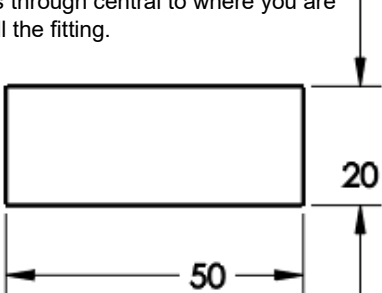
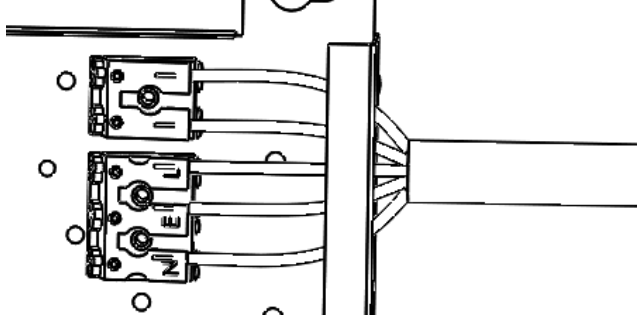
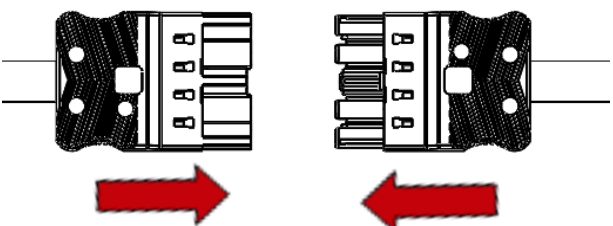
5.

6.

Offer the main housing up to the base ensuring not to trap any loose cables.

Replace the three screws removed in step 1.

Comtec Surface / Suspended Installation

<p>7. Suspended Installation</p>  <p>Remove three screws from the ceiling rose.</p>	<p>8.</p>  <p>Fix mount plate to the ceiling and feed mains cable through pre-wired hole.</p>
<p>9.</p>  <p>Wire mains cable into marked terminals as required.</p>	<p>10.</p>  <p>Reverse Step 7 to refit the ceiling rose.</p> <p>To adjust suspended mounting height, open up gear tray in main body as per step 1.</p>
<p>11. Remote E3, behind a tile</p> <p>Cut a hole approximately 50mm by 20mm for the connector to pass through central to where you are intending to install the fitting.</p> 	<p>12. Lift tile adjacent to location of CTEC place the emergency box there and wire into the remote E3 Pack.</p> 
<p>13. Connect the two 5 poles together and feed through the hole you have just cut.</p>  <p>Follow steps 6, 7, 9 & 10</p>	<p>14.</p>

Comtec Surface / Suspended Installation

Maintenance

- 1 Disconnect luminaire before undertaking any maintenance or cleaning.
- 2 Cleaning should be undertaken on external parts of the luminaire only using a slightly damp lint free cloth.
- 3 Use a pan pozi screwdriver to remove x3 screws from housing to access gear tray.
- 4 To remove components use a pan pozi screwdriver.
- 5 To access LED circuit turn top of fitting anticlockwise to remove cover.
- 6 Use a pan pozi screwdriver to remove LED circuit cover.
- 7 Please contact Dextra for assistance with spare component supply.

