

Prosport Installation

220-240V / 50-60Hz

IP20

IK10

Terminal Labelling:

Power

L1 Switched Live
E Earth
N Neutral

Emergency

L2 Unswitched Live
DA/AT3 DALI Autotest
DA/AT3 DALI Autotest

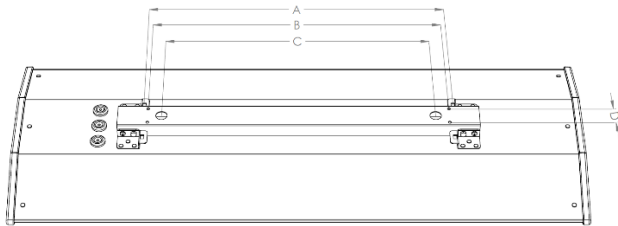
Dimming

-/D1/DA Analogue/DSI/DALI
+/D2/DA Analogue/DSI/DALI
L3 Switch Dim / Corridor Function



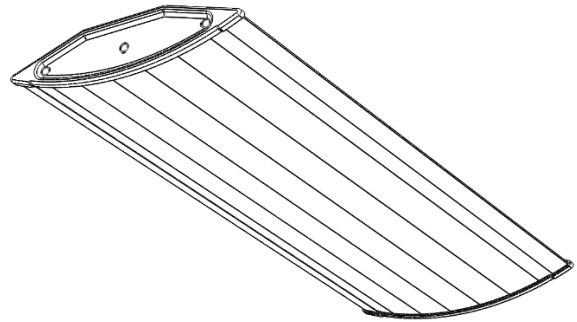
WARNING: Luminaire must be earthed. Risk of electric shock from LED boards if operated with cover removed. Installation / operation outside of luminaires intended scope invalidates warranty. Suitable only for domestic / light industrial / industrial applications within the scope of EN55015. Tested to compliance with BSEN 60598: specification for general requirements and tests. Must be installed by a suitably qualified person in accordance with all relevant legislation. Ambient operating temperature of 0°C to 25°C. If maximum operating temperature is exceeded luminaire will automatically dim / switch off. Terminal blocks are rated to 16A unless stated otherwise. The light source contained in this luminaire shall only be replaced by the manufacturer itself or his service agent or a similar qualified person. **LUMINAIRES WITH EMERGENCY PACK:** When supply is isolated battery output terminals may be live if battery is connected. Isolate mains and battery before servicing. Emergency luminaires require unswitched live connection taken from same phase as switched supply. When unswitched supply is connected status indicator illuminates green, when unswitched supply is disconnected indicator extinguishes and luminaire operates in emergency mode. 24 hour charge period required before undertaking full discharge test. Emergency test sheets provided should be used to record all emergency tests. Batteries should be replaced when 3 hour duration is not met. Excessive switching of permanent live may result in premature battery failure. Battery electrolyte can be harmful to eyes / open wounds, do not puncture, if electrolyte touches skin / eyes flush with water. Do not incinerate batteries.

1.



A	B	C	D
568	550	500	35
Suspension	Surface Fix	Trunking Fix	Surface Fix

2.

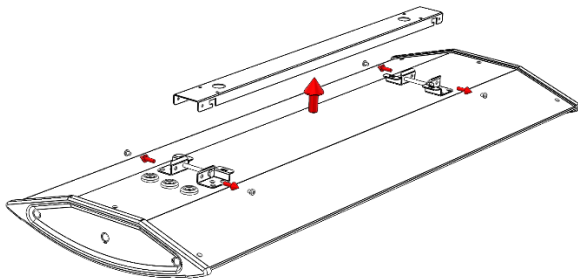


Weight

11kg

(+1kg for Emergency version)

3.

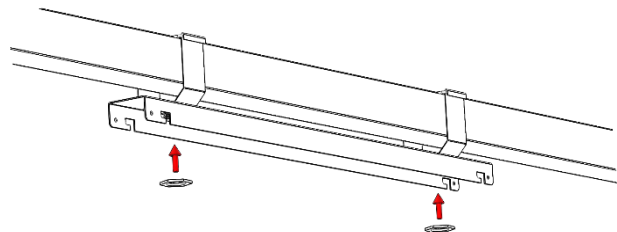


Remove 4x M5 PanPozi screws to release the mounting spine form rear of fitting. Do not remove M6 bolts.

Note. This does not need to be done if fitting is suspended – skip to **section 4B** and installation complete.

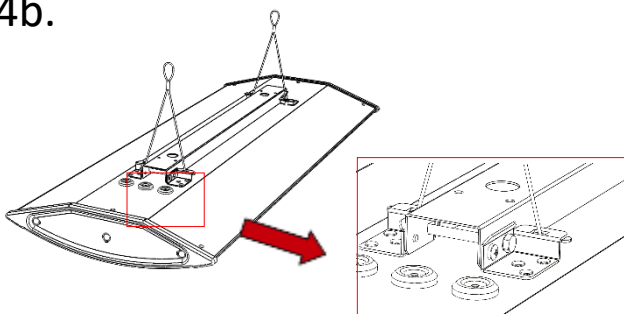
4a.

Secure mounting spine into position using one of these suggested fixing methods (A, B, C).



Trunking mounted via 2x M20 brass bush and securing nut.

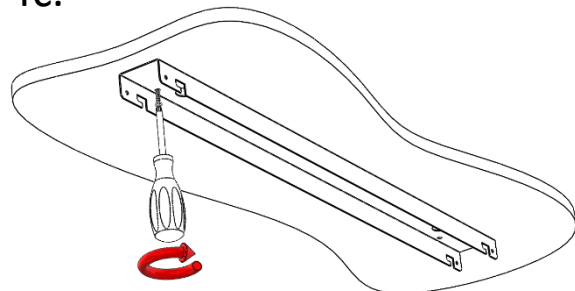
4b.



Suspension Toggles (Not supplied).

Suspension kits should not be used where luminaires may be subject to ball impacts, rigid mounting is recommended in these applications

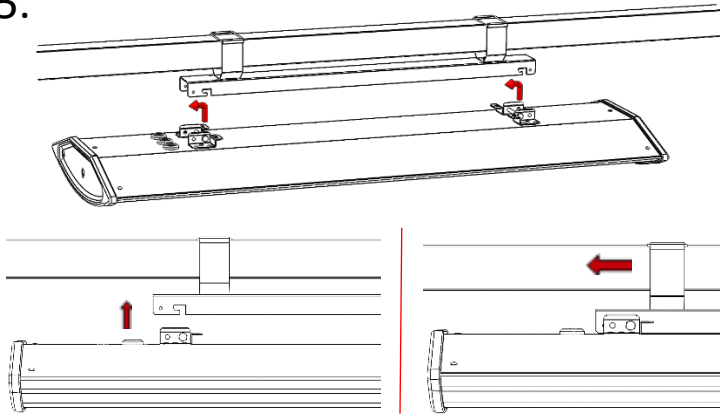
4c.



Surface mounted via 4x appropriate screw fixings into solid ceiling.

Prosport Installation

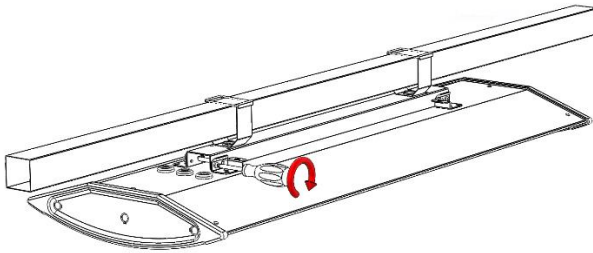
5.



Re-engage light fitting to mounting spine. Lift vertically into slots and the slide horizontally to hook suspend fitting.

Be very careful not to knock fitting from hooked position prior to Step 8.

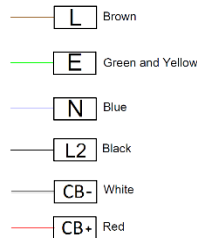
6.



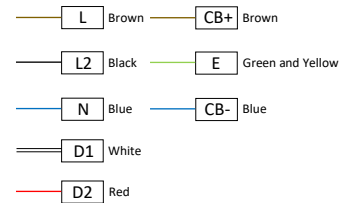
Re-fasten 4x M5 PanPozi screws removed in Step 1. All fittings come pre-wired, electrical connection can be made post install.

7. Please note the following diagrams when wiring a luminaire with a pre wired flex.

Central Battery

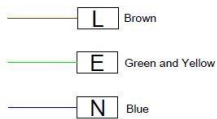


Central Battery DALI

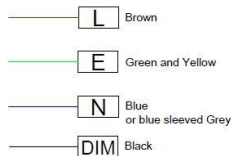


8.

STANDARD

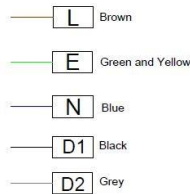


SWITCH DIM



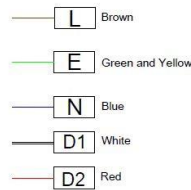
DALI/DSI

FLEX: Brown/GY/Blue/Black/Grey

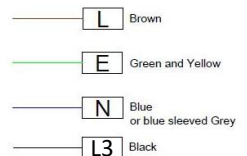


DALI/DSI

FLEX: Brown/GY/Blue/White/Red

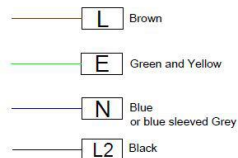


STANDARD: DOUBLE SWITCHED



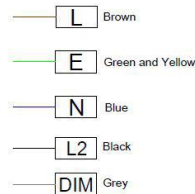
9.

EMERGENCY



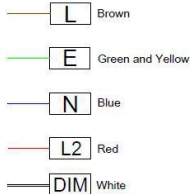
SWITCH DIM

FLEX: Brown/GY/Blue/Black/Grey

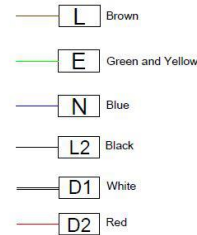


SWITCH DIM

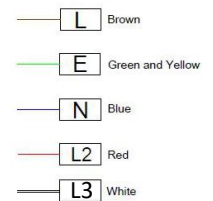
FLEX: Brown/GY/Blue/Red/White



DALI/DSI



EMERGENCY: DOUBLE SWITCHED



Prosport Installation

Maintenance

- 1 Disconnect luminaire before undertaking any maintenance or cleaning.
- 2 Cleaning should be undertaken on external parts of the luminaire only using a slightly damp lint free cloth.
- 3 To access fitting use a pan pozi screwdriver to remove screws from endcaps, then remove endcap.
- 4 Slide diffuser out from one end of fitting.
- 5 To remove gear cover and components use a pan pozi screwdriver
- 6 Use a pan pozi screwdriver to remove lens to access LED circuits.
- 7 Please contact Dextra for assistance with spare component supply.

