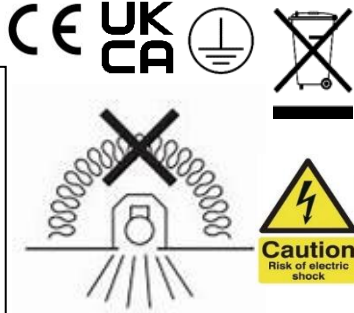


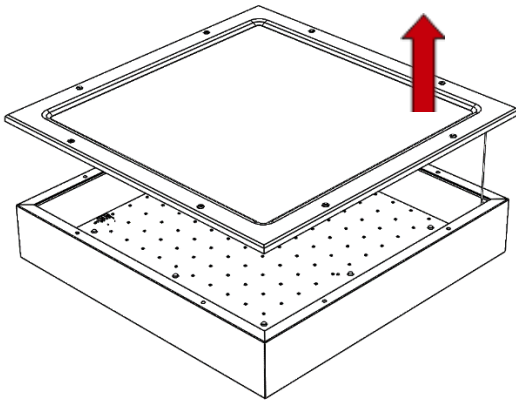
220-240V / 50-60Hz
IP65



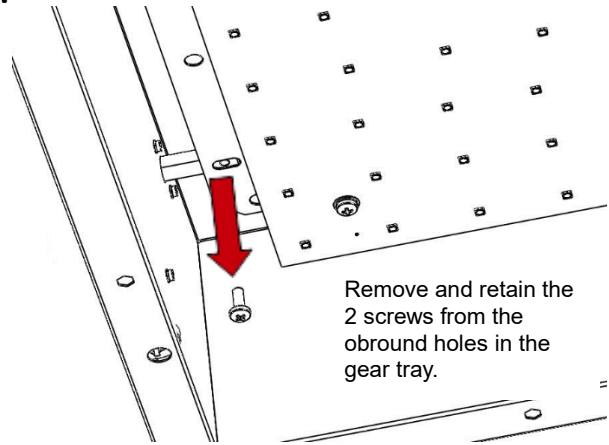
WARNING: Luminaire must be earthed. Risk of electric shock from LED boards if operated with cover removed. Installation / operation outside of luminaires intended scope invalidates warranty. Suitable only for domestic / light industrial / industrial applications within the scope of EN55015. Tested to compliance with BSEN 60598: specification for general requirements and tests. Must be installed by a suitably qualified person in accordance with all relevant legislation. Ambient operating temperature of 0°C to 25°C. If maximum operating temperature is exceeded luminaire will automatically dim / switch off. Terminal blocks are rated to 16A unless stated otherwise. The light source contained in this luminaire shall only be replaced by the manufacturer or his service agent or a similar qualified person. **LUMINAIRES WITH EMERGENCY PACK:** When supply is isolated battery output terminals may be live if battery is connected. Isolate mains and battery before servicing. Emergency luminaires require unswitched live connection taken from same phase as switched supply. When unswitched supply is connected status indicator illuminates green, when unswitched supply is disconnected indicator extinguishes and luminaire operates in emergency mode. 24 hour charge period required before undertaking full discharge test. Emergency test sheets provided should be used to record all emergency tests. Batteries should be replaced when 3 hour duration is not met. Excessive switching of permanent live may result in premature battery failure. Battery electrolyte can be harmful to eyes / open wounds, do not puncture, if electrolyte touches skin / eyes flush with water. Do not incinerate batteries.

Terminal Labelling:	
Power	
L1	Switched Live
E	Earth
N	Neutral
Emergency	
L2	Unswitched Live
DA/AT3	DALI Autotest
DA/AT3	DALI Autotest
Dimming	
-D1/DA	Analogue/DSI/DALI
+D2/DA	Analogue/DSI/DALI
L3	Switch Dim / Corridor Function

1. Remove diffuser by loosening each of the 8 retaining screws.

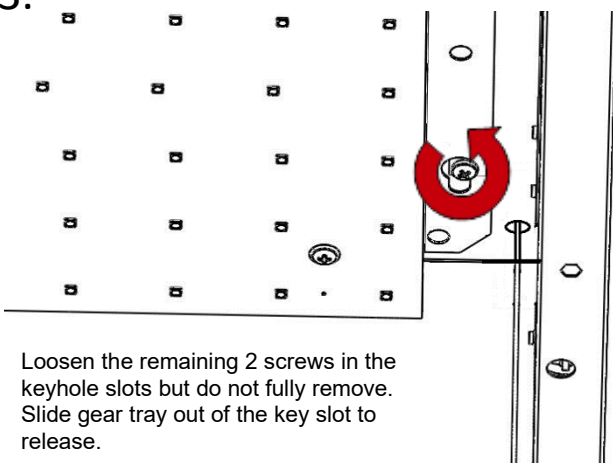


2.



Remove and retain the 2 screws from the obround holes in the gear tray.

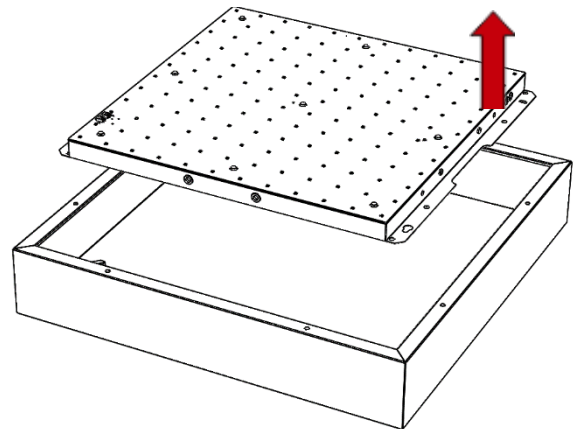
3.



Loosen the remaining 2 screws in the keyhole slots but do not fully remove. Slide gear tray out of the key slot to release.

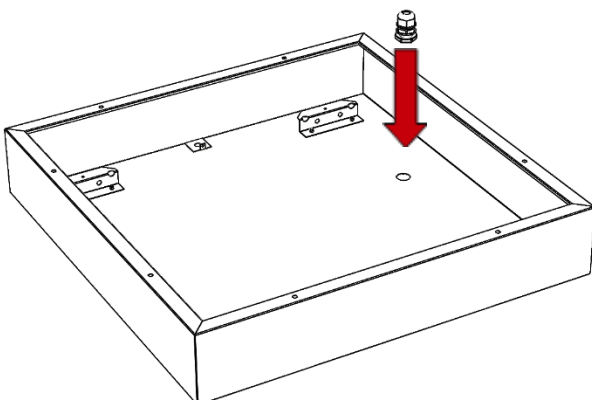
4.

Remove the gear tray and store in a safe place



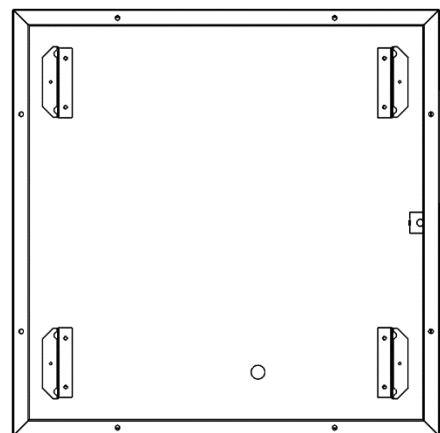
5.

Fit the IP68 cable gland to the inside of the fitting using the hole provided and tighten fully.

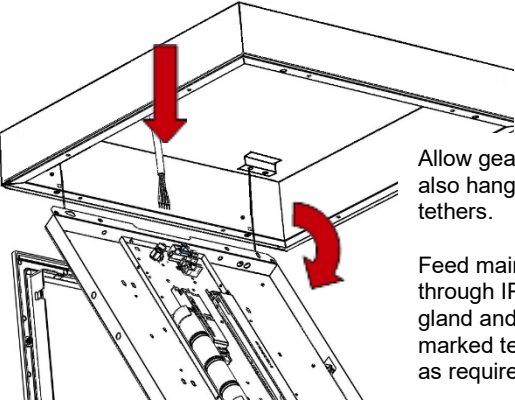
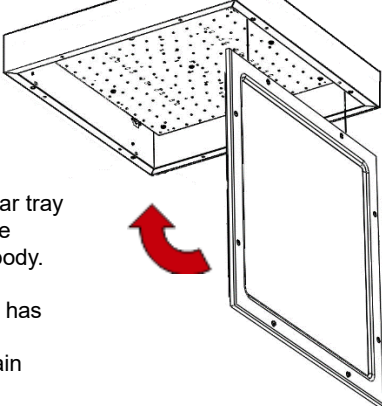
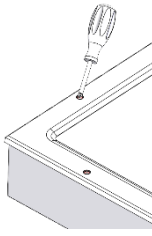
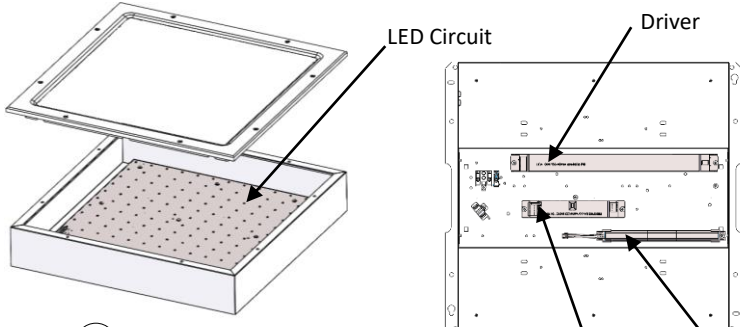


6.

Drill four suitably placed holes in the rear of the housing and fix to the intended surface.



IMPS Installation

<p>7.</p>  <p>Allow gear tray to also hang on its tethers.</p> <p>Feed mains cable through IP68 gland and wire into marked terminals as required.</p>	<p>8.</p>  <p>Replace the gear tray and reattach the diffuser to the body.</p> <p>Ensure diffuser has been securely attached to retain IP65 rating.</p>
<p><u>Maintenance</u></p> <ol style="list-style-type: none"> 1 Disconnect luminaire before undertaking any maintenance or cleaning. 2 Cleaning should be undertaken on external parts of the luminaire only using a slightly damp lint free cloth. 3 To remove frame use a pan pozi screwdriver. 	 <ol style="list-style-type: none"> 4 Use a pan pozi screwdriver when removing gear tray and components. 5 Please contact Dextra for assistance with spare component supply.