

220-240V / 50-60Hz
IP20

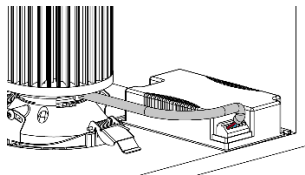
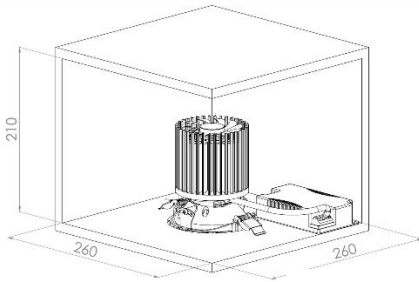


WARNING: Luminaire must be earthed. Risk of electric shock from LED boards if operated with cover removed. Installation / operation outside of luminaires intended scope invalidates warranty. Suitable only for domestic / light industrial / industrial applications within the scope of EN55015. Tested to compliance with BSEN 60598: specification for general requirements and tests. Must be installed by a suitably qualified person in accordance with all relevant legislation. Ambient operating temperature of 0°C to 25°C. If maximum operating temperature is exceeded luminaire will automatically dim / switch off. Terminal blocks are rated to 16A unless stated otherwise. The light source contained in this luminaire shall only be replaced by the manufacturer or his service agent or a similar qualified person. **LUMINAIRES WITH EMERGENCY PACK:** When supply is isolated battery output terminals may be live if battery is connected. Isolate mains and battery before servicing. Emergency luminaires require unswitched live connection taken from same phase as switched supply. When unswitched supply is connected status indicator illuminates green, when unswitched supply is disconnected indicator extinguishes and luminaire operates in emergency mode. 24 hour charge period required before undertaking full discharge test. Emergency test sheets provided should be used to record all emergency tests. Batteries should be replaced when 3 hour duration is not met. Excessive switching of permanent live may result in premature battery failure. Battery electrolyte can be harmful to eyes / open wounds, do not puncture, if electrolyte touches skin / eyes flush with water. Do not incinerate batteries.

Terminal Labelling:	
Power	
L1	Switched Live
E	Earth
N	Neutral
Emergency	
L2	Unswitched Live
DA/AT3	DALI Autotest
DA/AT3	DALI Autotest
Dimming	
-D1/DA	Analogue/DSI/DALI
+D2/DA	Analogue/DSI/DALI
L3	Switch Dim / Corridor Function

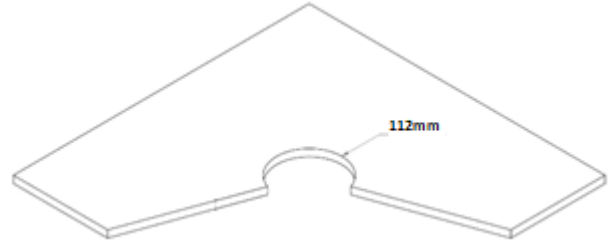


1.



All electrical connections to be made prior to installing fitting into aperture. Ensure any gear and cables are located in a position where they will not hinder movement of the luminaire.

2.



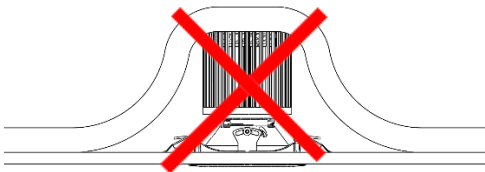
Ambient temperature within ceiling void:
Min: 5°C Max: +35°C

Ceiling Aperture (mm): 112

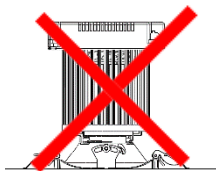
Ceiling Depth (mm): Min: 7 Max: 30

Use 3mm ply-wood patress mounting when mounting into soft tiles.

3.

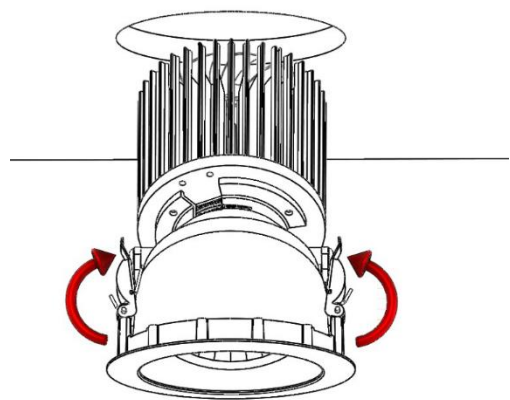


DO NOT cover heat sink



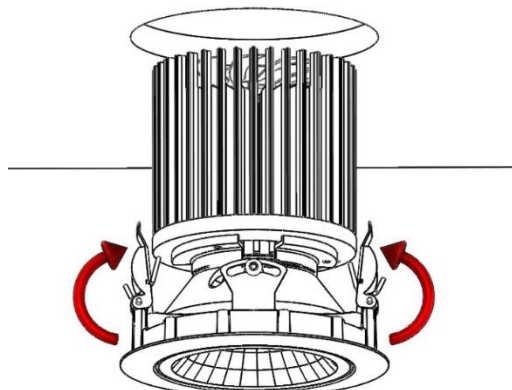
DO NOT mount driver on top of heat sink

4.

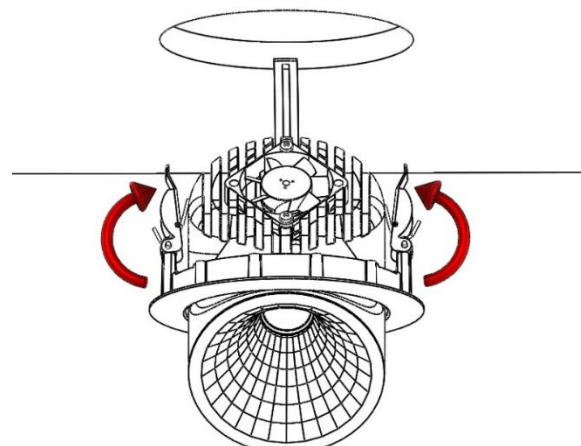


Load spring clips and raise fitting into ceiling aperture

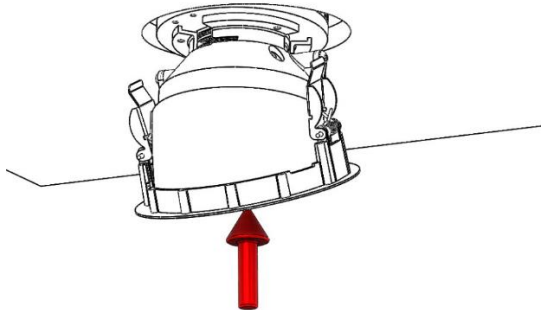
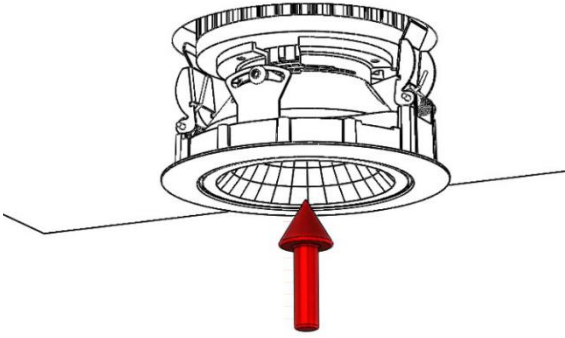
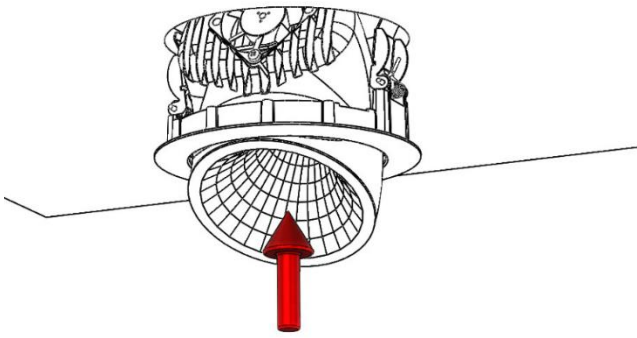
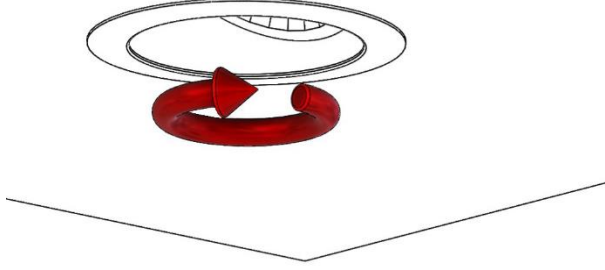
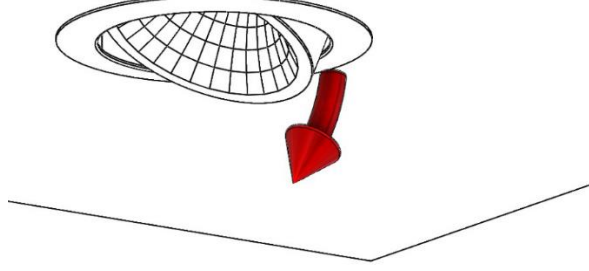
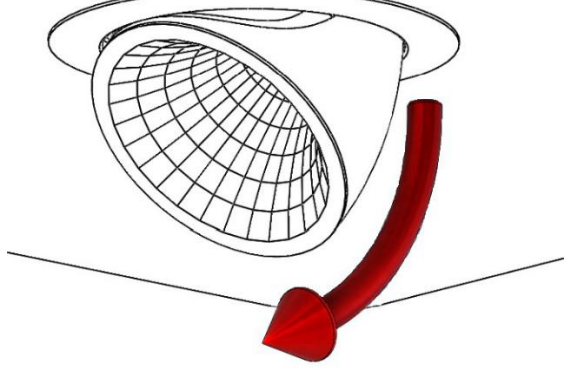
5.



6.



Pro-Light Mini Installation

<p>7.</p>  <p>Push into ceiling aperture and allow spring clips to snap fitting into position.</p>	<p>8.</p> 
<p>9.</p> 	<p>10.</p>  <p>Adjust fitting to perform as desired</p>
<p>11.</p> 	<p>12.</p> 
<p>Maintenance</p> <ol style="list-style-type: none"> ① Disconnect luminaire before undertaking any maintenance or cleaning. ② Cleaning should be undertaken on external parts of the luminaire only using a slightly damp lint free cloth. ③ Pull reflector out from fitting to access LED circuit. ④ Unscrew x2 screws from LED circuit to remove. ⑤ Driver is maintainable. ⑥ Please contact Dextra for assistance with spare component supply. 