

## EPK Lens Installation

220-240V / 50-60Hz

IP20

**Terminal Labelling:**

**Power**

L1 Switched Live  
 E Earth  
 N Neutral

**Emergency**

L2 Unswitched Live  
 DA/AT3 DALI Autotest  
 DA/AT3 DALI Autotest

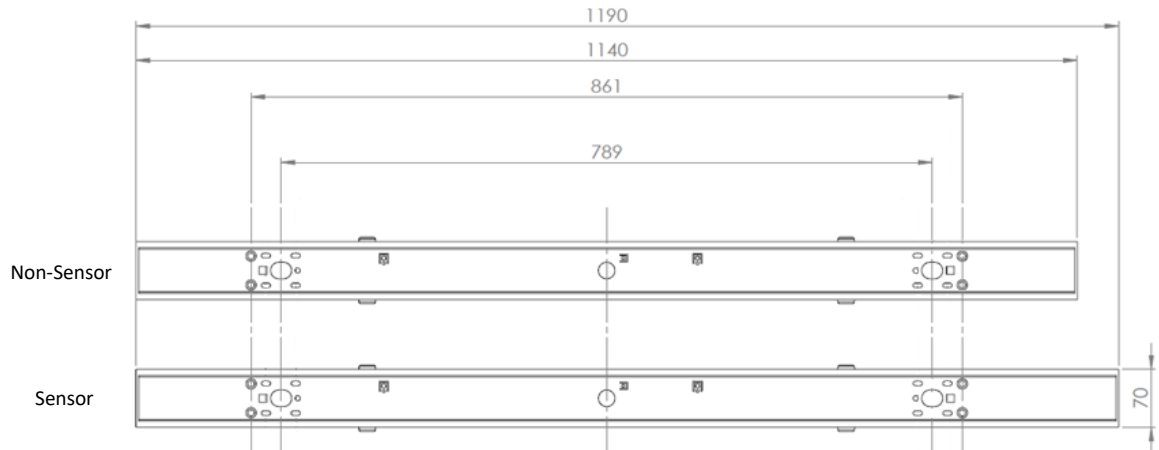
**Dimming**

-/D1/DA Analogue/DSI/DALI  
 +/D2/DA Analogue/DSI/DALI  
 L3 Switch Dim / Corridor Function

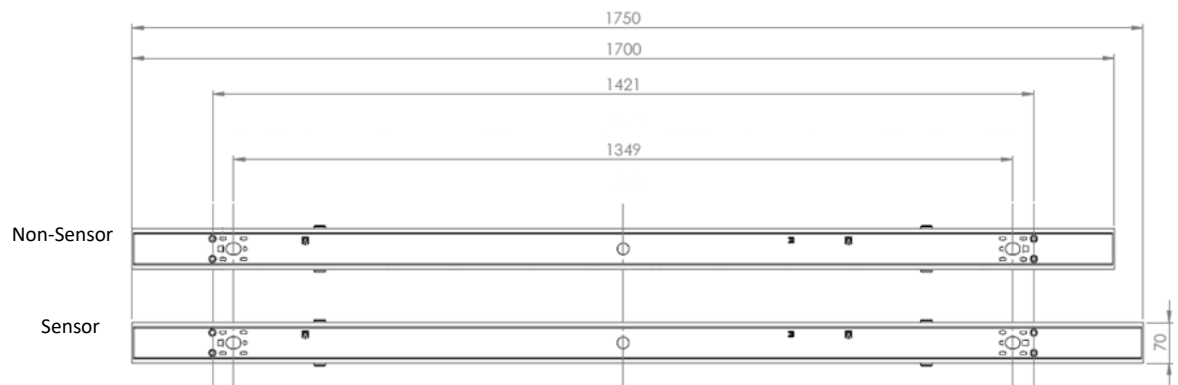


**WARNING:** Luminaire must be earthed. Risk of electric shock from LED boards if operated with cover removed. Installation / operation outside of luminaires intended scope invalidates warranty. Suitable only for domestic / light industrial / industrial applications within the scope of EN55015. Tested to compliance with BSEN 60598: specification for general requirements and tests. Must be installed by a suitably qualified person in accordance with all relevant legislation. Ambient operating temperature of 0°C to 25°C. If maximum operating temperature is exceeded luminaire will automatically dim / switch off. Terminal blocks are rated to 16A unless stated otherwise. The light source contained in this luminaire shall only be replaced by the manufacturer or his service agent or a similar qualified person. **LUMINAIRES WITH EMERGENCY PACK:** When supply is isolated battery output terminals may be live if battery is connected. Isolate mains and battery before servicing. Emergency luminaires require unswitched live connection taken from same phase as switched supply. When unswitched supply is connected status indicator illuminates green, when unswitched supply is disconnected indicator extinguishes and luminaire operates in emergency mode. 24 hour charge period required before undertaking full discharge test. Emergency test sheets provided should be used to record all emergency tests. Batteries should be replaced when 3 hour duration is not met. Excessive switching of permanent live may result in premature battery failure. Battery electrolyte can be harmful to eyes / open wounds, do not puncture, if electrolyte touches skin / eyes flush with water. Do not incinerate batteries.

1200

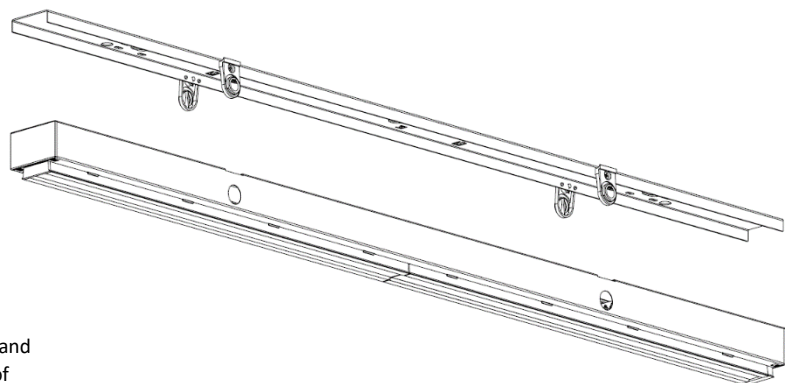


1800



1.

Press all plastic clips simultaneously to remove the gear tray from housing.

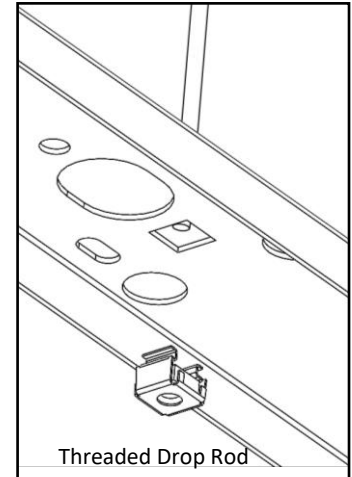
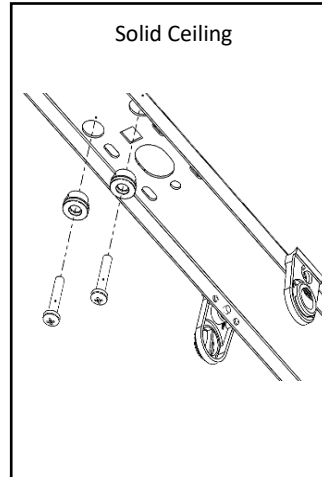
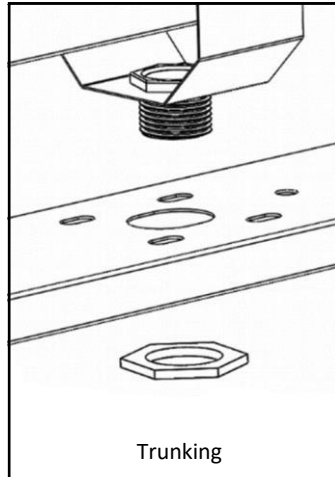


Note – tether clips will be fastened between gear tray and housing. These may be temporarily released for ease of maintenance but must be refastened

## EPK Lens Installation

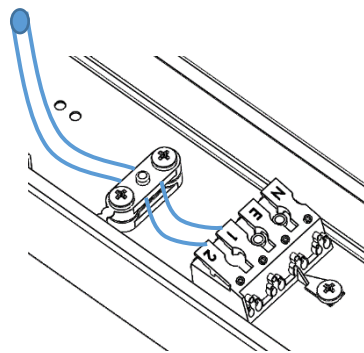
2.

Choose an appropriate mount method to secure the housing.



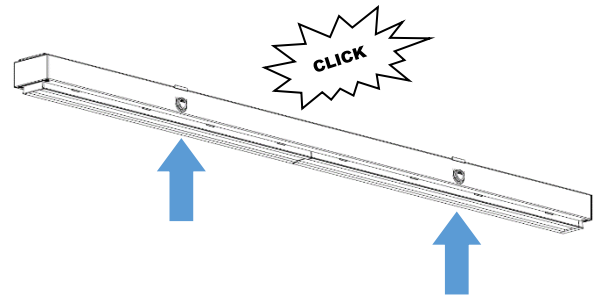
3.

Pass the cable through a suitable entry hole and clamp using clamp and screws provided.



4.

Re-connect tray to housing, ensure all four spring clips are fully engaged and no cables are trapped.



### Maintenance

1. Disconnect luminaire before undertaking any maintenance or cleaning.
2. Cleaning should be undertaken on external parts of the luminaire only using a slightly damp lint free cloth.
3. Press all clips simultaneously to remove gear tray from the housing. Note – tether clips will be fastened between gear tray and housing. These may be temporarily released for ease of maintenance but must be refastened.
4. To remove the components, use a pan pozi screwdriver.
5. To access the LED circuit use a flat headed screwdriver to push the legs from the lens out from the gear tray.
6. Please contact Dextra for assistance with spare component supply.

