

220-240V / 50-60Hz
IP20



WARNING: Luminaire must be earthed. Risk of electric shock from LED boards if operated with cover removed. Installation / operation outside of luminaires intended scope invalidates warranty. Suitable only for domestic / light industrial / industrial applications within the scope of EN55015. Tested to compliance with BSEN 60598: specification for general requirements and tests. Must be installed by a suitably qualified person in accordance with all relevant legislation. Ambient operating temperature of 0°C to 25°C. If maximum operating temperature is exceeded luminaire will automatically dim / switch off. Terminal blocks are rated to 16A unless stated otherwise. The light source contained in this luminaire shall only be replaced by the manufacturer or his service agent or a similar qualified person. **LUMINAIRES WITH EMERGENCY PACK:** When supply is isolated battery output terminals may be live if battery is connected. Isolate mains and battery before servicing. Emergency luminaires require unswitched live connection taken from same phase as switched supply. When unswitched supply is connected status indicator illuminates green, when unswitched supply is disconnected indicator extinguishes and luminaire operates in emergency mode. 24 hour charge period required before undertaking full discharge test. Emergency test sheets provided should be used to record all emergency tests. Batteries should be replaced when 3 hour duration is not met. Excessive switching of permanent live may result in premature battery failure. Battery electrolyte can be harmful to eyes / open wounds, do not puncture, if electrolyte touches skin / eyes flush with water. Do not incinerate batteries.

Terminal Labelling:

Power

L1 Switched Live
E Earth
N Neutral

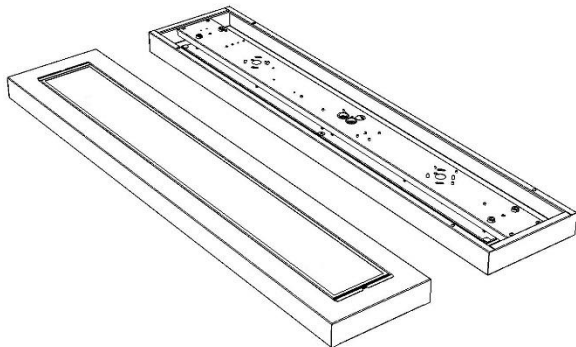
Emergency

L2 Unswitched Live
DA/AT3 DALI Autotest
DA/AT3 DALI Autotest

Dimming

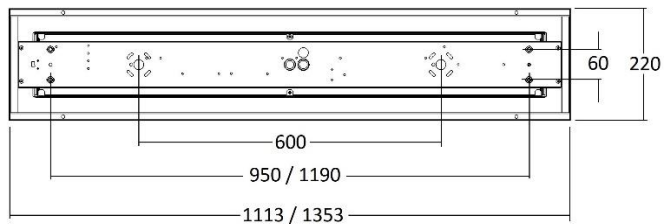
-/D1/DA Analogue/DSI/DALI
+/D2/DA Analogue/DSI/DALI
L3 Switch Dim /
Corridor Function

1.



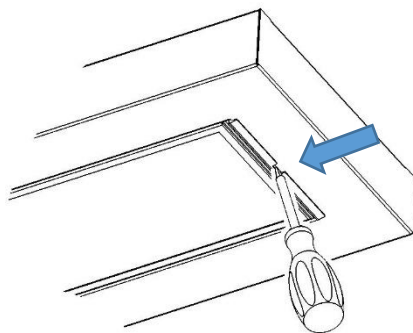
Product can be supplied in various sizes – always check application area is suitable and any necessary fixings are available (not supplied with luminaire!)

2.



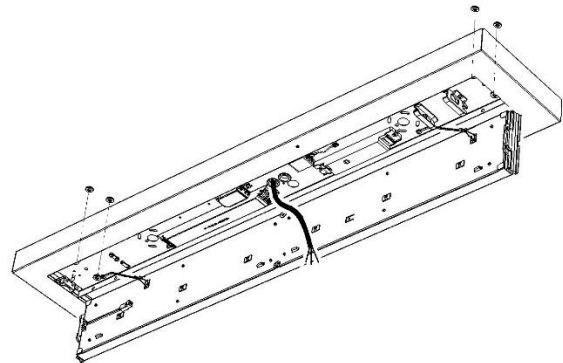
In addition to standard 'besa' mounting holes, 6mm holes are found on centreline + primary fixings shown at 60mm in above diagram – prepare mounting surface accordingly...

3.



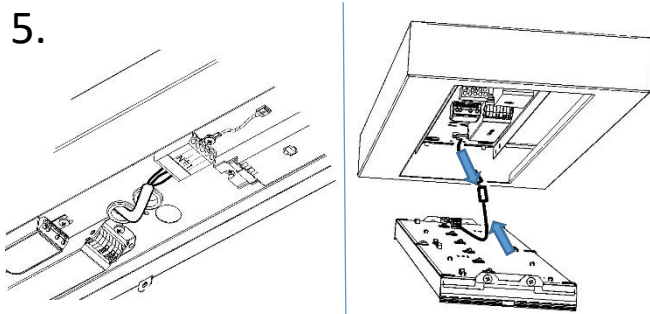
Prior to mounting main housing, detach centre optic using a flat-headed screwdriver (one end has notch in housing for this!!)... centre optic will hang on tethers

4.



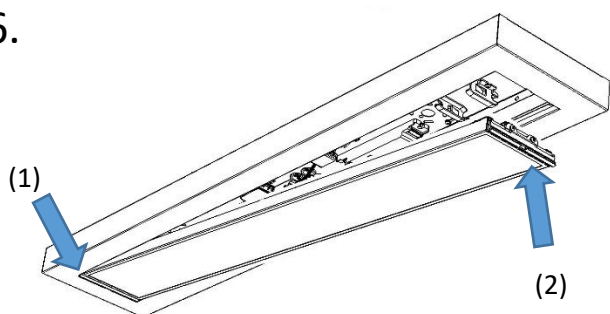
Offer luminaire up – feed power cable(s) through preferred entry hole.... Secure housing to mounting surface in prepared fixing locations..

5.



(1) Make electrical connection to appropriate terminals (markings will vary depending on variant) – (2) Connect optic 2-pole lead

6.



Locate optic on to edge (1)... Offer up – ensuring all cable & tethers are not trapped – until Clip (2) clicks in to place. Test for operation