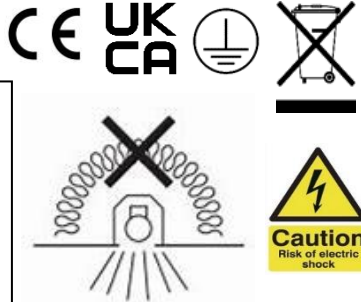


## MODLP Installation

220-240V / 50-60Hz

IP20

IK03

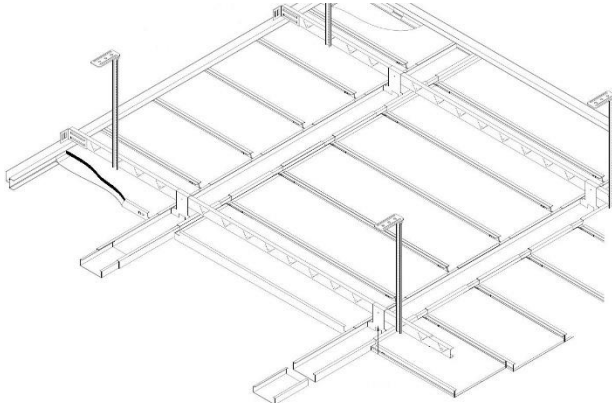


**WARNING:** Luminaire must be earthed. Risk of electric shock from LED boards if operated with cover removed. Installation / operation outside of luminaires intended scope invalidates warranty. Suitable only for domestic / light industrial / industrial applications within the scope of EN55015. Tested to compliance with BSEN 60598: specification for general requirements and tests. Must be installed by a suitably qualified person in accordance with all relevant legislation. Ambient operating temperature of 0°C to 25°C. If maximum operating temperature is exceeded luminaire will automatically dim / switch off. Terminal blocks are rated to 16A unless stated otherwise. The light source contained in this luminaire shall only be replaced by the manufacturer or his service agent or a similar qualified person.

**LUMINAIRES WITH EMERGENCY PACK:** When supply is isolated battery output terminals may be live if battery is connected. Isolate mains and battery before servicing. Emergency luminaires require unswitched live connection taken from same phase as switched supply. When unswitched supply is connected status indicator illuminates green, when unswitched supply is disconnected indicator extinguishes and luminaire operates in emergency mode. 24 hour charge period required before undertaking full discharge test. Emergency test sheets provided should be used to record all emergency tests. Batteries should be replaced when 3 hour duration is not met. Excessive switching of permanent live may result in premature battery failure. Battery electrolyte can be harmful to eyes / open wounds, do not puncture, if electrolyte touches skin / eyes flush with water. Do not incinerate batteries.

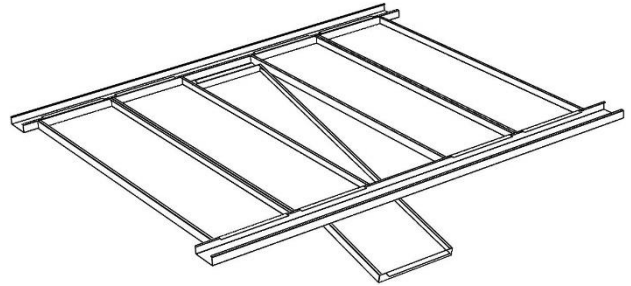
Terminal Labelling:	
<b>Power</b>	
L1	Switched Live
E	Earth
N	Neutral
<b>Emergency</b>	
L2	Unswitched Live
DA/AT3	DALI Autotest
DA/AT3	DALI Autotest
<b>Dimming</b>	
-/D1/DA	Analogue/DSI/DALI
+/D2/DA	Analogue/DSI/DALI
L3	Switch Dim / Corridor Function

1.



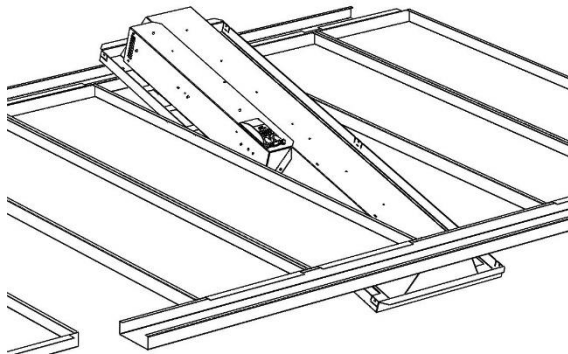
SAS System 330 typical ceiling set-out – note ceiling tile size may be non-standard

2.



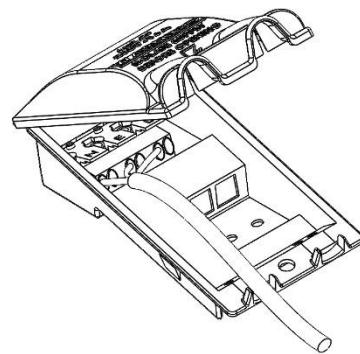
Remove the ceiling tile (or existing luminaire) -

3.



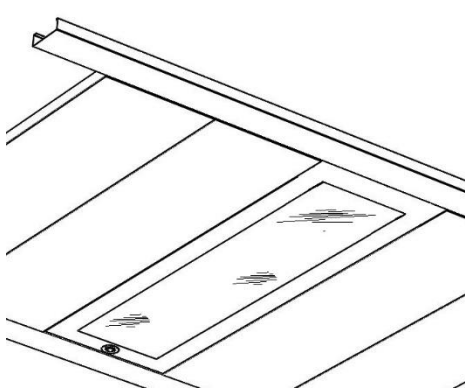
Offer up the new MODLP luminaire, installing as per the tile (rests on end return flanges)

4.



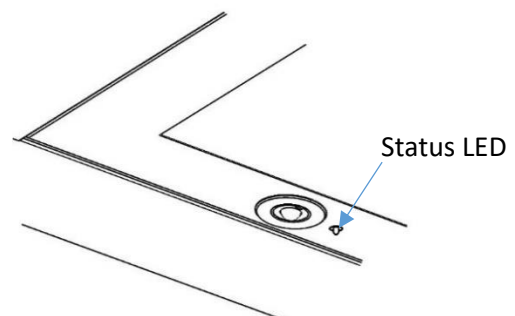
Make electrical connection as required – this can be done prior to install if more convenient

5.



Installed fitting should fit as tile and be flush.

6.



Test for operation / check dimming function <if applicable> / check emergency status LED <if applicable>.

## MODLP Installation

### Maintenance

- ① Disconnect luminaire before undertaking any maintenance or cleaning.
- ② Maintenance should be undertaken on external parts of the luminaire only using a slightly damp lint free cloth.
- ③ To access LED circuit use a pan pozi screwdriver to remove screws from frame.
- ④ Use a pan pozi screwdriver to remove gear tray and components.
- ⑤ Please contact Dextra for assistance with spare component supply.

