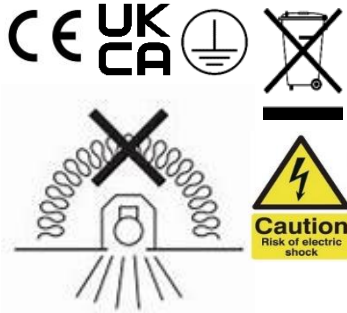


MOD Pull-Up (exposed & concealed grid) Installation

220-240V / 50-60Hz
IP20



WARNING: Luminaire must be earthed. Risk of electric shock from LED boards if operated with cover removed. Installation / operation outside of luminaires intended scope invalidates warranty. Suitable only for domestic / light industrial / industrial applications within the scope of EN55015. Tested to compliance with BSEN 60598: specification for general requirements and tests. Must be installed by a suitably qualified person in accordance with all relevant legislation. Ambient operating temperature of 0°C to 25°C. If maximum operating temperature is exceeded luminaire will automatically dim / switch off. Terminal blocks are rated to 16A unless stated otherwise. The light source contained in this luminaire shall only be replaced by the manufacturer or his service agent or a similar qualified person. **LUMINAIRES WITH EMERGENCY PACK:** When supply is isolated battery output terminals may be live if battery is connected. Isolate mains and battery before servicing. Emergency luminaires require unswitched live connection taken from same phase as switched supply. When unswitched supply is disconnected status indicator illuminates green, when unswitched supply is disconnected indicator extinguishes and luminaire operates in emergency mode. 24 hour charge period required before undertaking full discharge test. Emergency test sheets provided should be used to record all emergency tests. Batteries should be replaced when 3 hour duration is not met. Excessive switching of permanent live may result in premature battery failure. Battery electrolyte can be harmful to eyes / open wounds, do not puncture, if electrolyte touches skin / eyes flush with water. Do not incinerate batteries.

Terminal Labelling:	
Power	
L1	Switched Live
E	Earth
N	Neutral
Emergency	
L2	Unswitched Live
DA/AT3	DALI Autotest
DA/AT3	DALI Autotest
Dimming	
-/D1/DA	Analogue/DSI/DALI
+/D2/DA	Analogue/DSI/DALI
L3	Switch Dim / Corridor Function

1.

Supplied with mount brackets pre-fitted – terminal connection shown inset. Connect before installation

2.

Prior to installation, raise brackets to uppermost position and tighten screws ... NOTE, on 1200x600 and 1200x300 versions, brackets may be fitted to either sides or ends!

3.

Regardless of ceiling type, the fixture should be offered up in aperture, then all brackets bent as shown – fixture will hang below ceiling....

4.

.. each bracket should be adjusted, ensuring fixture is tight against grid / level with tiles where applicable)... Tighten screws on all brackets

5.

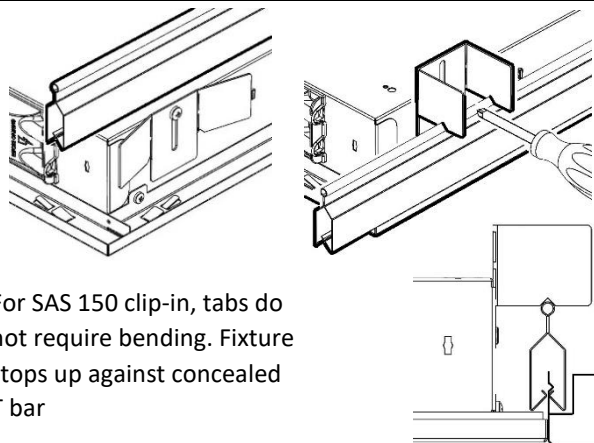
Small tabs suit **24mm T** Large tabs suit **15mm T** (Bend up to suit ceiling) *Make sure corner tab is bent around!* These tabs 'centre' fixture within grids

6.

For SAS 120 clip-in, tabs do not require bending. Fixture stops up against concealed T bar

MOD Pull-Up (exposed & concealed grid) Installation

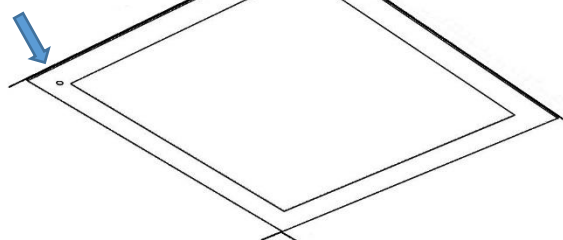
7.



For SAS 150 clip-in, tabs do not require bending. Fixture stops up against concealed T bar

8.

Charge indicator



Installed fixture (Emergency version shown)
<Diffuser style may differ from that shown>

Maintenance

- 1 Disconnect luminaire before undertaken any maintenance or cleaning.
- 2 Cleaning should be undertaken on external parts of the luminaire only using a slightly damp lint free cloth.
- 3 Using a pan pozi screwdriver remove all 4 screws to access housing.
- 5 Please contact Dextra for assistance with spare component supply.

