

Tanek Bulkhead Installation

220-240V / 50-60Hz

IP** IK**

Terminal Labelling:

Power

L1 Switched Live
E Earth
N Neutral

Emergency

L2 Unswitched Live
DA/AT3 DALI Autotest
DA/AT3 DALI Autotest

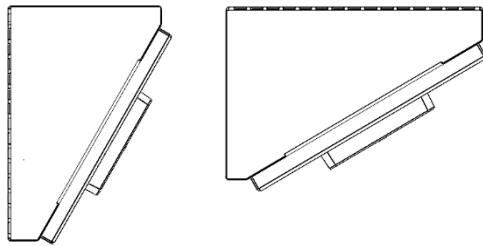
Dimming

-/D1/DA Analogue/DSI/DALI
+/D2/DA Analogue/DSI/DALI
L3 Switch Dim / Corridor Funct



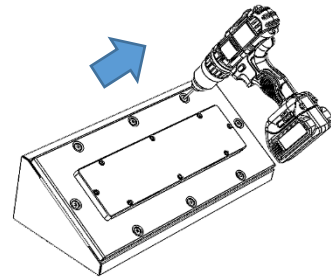
WARNING: Luminaire must be earthed. Risk of electric shock from LED boards if operated with cover removed. Installation / operation outside of luminaires intended scope invalidates warranty. Suitable only for domestic / light industrial / industrial applications within the scope of EN55015. Tested to compliance with BSEN 60598: specification for general requirements and tests. Must be installed by a suitably qualified person in accordance with all relevant legislation. Ambient operating temperature of 0°C to 25°C. If maximum operating temperature is exceeded luminaire will automatically dim / switch off. Terminal blocks are rated to 16A unless stated otherwise. The light source contained in this luminaire shall only be replaced by the manufacturer or his service agent or a similar qualified person. **LUMINAIRES WITH EMERGENCY PACK:** When supply is isolated battery output terminals may be live if battery is connected. Isolate mains and battery before servicing. Emergency luminaires require unswitched live connection taken from same phase as switched supply. When unswitched supply is connected status indicator illuminates green, when unswitched supply is disconnected indicator extinguishes and luminaire operates in emergency mode. 24 hour charge period required before undertaking full discharge test. Emergency test sheets provided should be used to record all emergency tests. Batteries should be replaced when 3 hour duration is not met. Excessive switching of permanent live may result in premature battery failure. Battery electrolyte can be harmful to eyes / open wounds, do not puncture, if electrolyte touches skin / eyes flush with water. Do not incinerate batteries.

1.



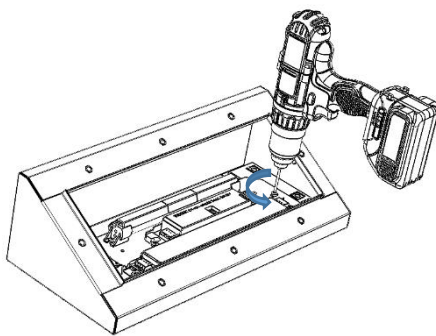
This luminaire can be mounted at either a 60 or 30 degree angle.

2.



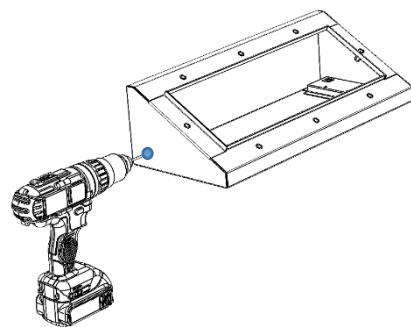
Undo the 8 x M5 6 Lobe Pin Drive screws and remove the frame.

3.



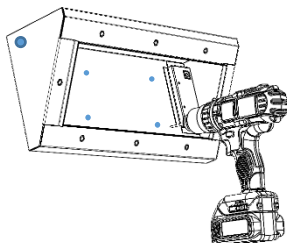
Undo x2 screws and remove the gear tray.

4.



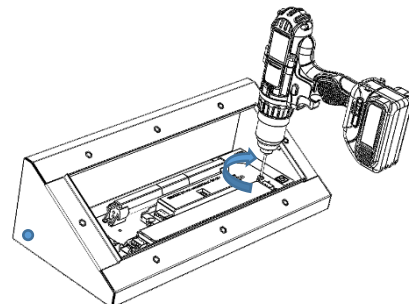
Drill 20mm cable hole in desired location. (Contractor to supply suitable grommet).

5.

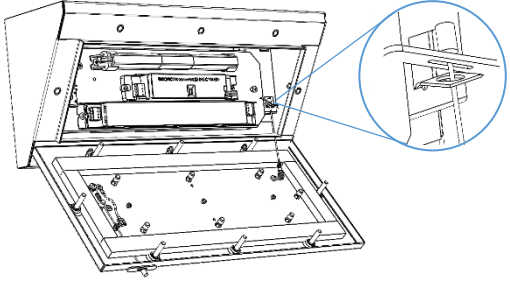
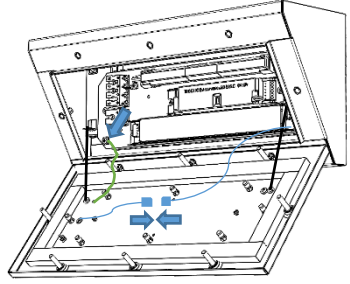
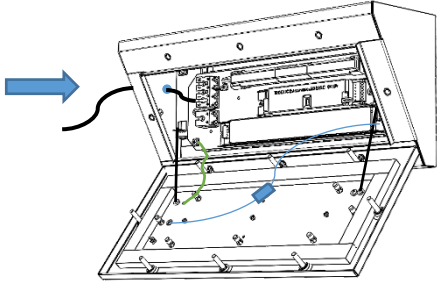
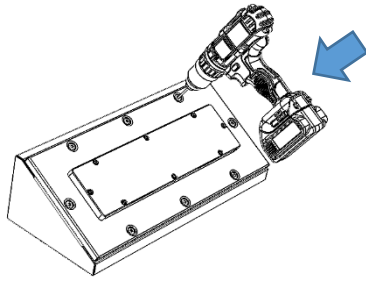


Drill suitable fixings and secure to surface.
Please note, it is the contractor's responsibility to ensure all holes are suitably sealed. Failure to do so will invalidate the luminaire's IP rating.

6.



Re secure the gear tray to the body.

<p>7.</p>  <p>Bend tabs on the body then tether to the front frame.</p>	<p>8.</p>  <p>Connect the frame earth to the gear tray and connect the LED plug and socket together.</p>
<p>9.</p>  <p>Bring flex through grommet and make relevant connection.</p>	<p>10.</p>  <p>Re secure the front frame to the body.</p>
<p>11.</p>	<p>12.</p>
<p>13.</p>	<p>14.</p>