

220-240V / 50-60Hz

IP65

IK10



WARNING: Luminaire must be earthed. Risk of electric shock from LED boards if operated with cover removed. Installation / operation outside of luminaires intended scope invalidates warranty. Suitable only for domestic / light industrial / industrial applications within the scope of EN55015. Tested to compliance with BSEN 60598: specification for general requirements and tests. Must be installed by a suitably qualified person in accordance with all relevant legislation. Ambient operating temperature of 0°C to 25°C. If maximum operating temperature is exceeded luminaire will automatically dim / switch off. Terminal blocks are rated to 16A unless stated otherwise. The light source contained in this luminaire shall only be replaced by the manufacturer or his service agent or a similar qualified person. **LUMINAIRES WITH EMERGENCY PACK:** When supply is isolated battery output terminals may be live if battery is connected. Isolate mains and battery before servicing. Emergency luminaires require unswitched live connection taken from same phase as switched supply. When unswitched supply is connected status indicator illuminates green, when unswitched supply is disconnected indicator extinguishes and luminaire operates in emergency mode. 24 hour charge period required before undertaking full discharge test. Emergency test sheets provided should be used to record all emergency tests. Batteries should be replaced when 3 hour duration is not met. Excessive switching of permanent live may result in premature battery failure. Battery electrolyte can be harmful to eyes / open wounds, do not puncture, if electrolyte touches skin / eyes flush with water. Do not incinerate batteries.

Terminal Labelling:	
Power	
L1	Switched Live
E	Earth
N	Neutral
Emergency	
L2	Unswitched Live
DA/AT3	DALI Autotest
DA/AT3	DALI Autotest
Dimming	
-D1/DA	Analogue/DSI/DALI
+D2/DA	Analogue/DSI/DALI
L3	Switch Dim / Corridor Function

1.

10 x

Unpack the luminaire and undo the 10 x M5 6 Lobe Pin Drive screws securing the frame. Remove the frame and proceed to hang it on the tethers.

2.

Remove the screw holding the gear tray in place. (1) Push the tray to one side. (2) Lift and tilt the gear tray to remove.

3.

Knockout the semi-shear from the housing if bringing the cable in through the side.

4.

Cornice and slim only - Drill 20mm cable hole in desired location. Drill the rear of the housing if a central cable entry is required instead.

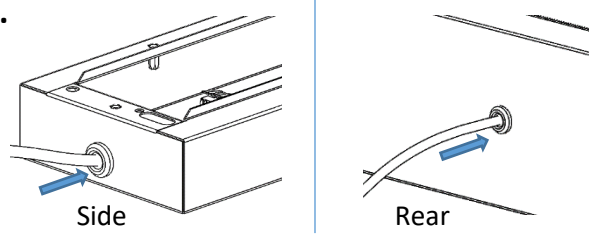
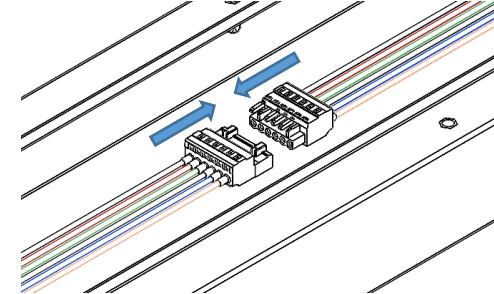
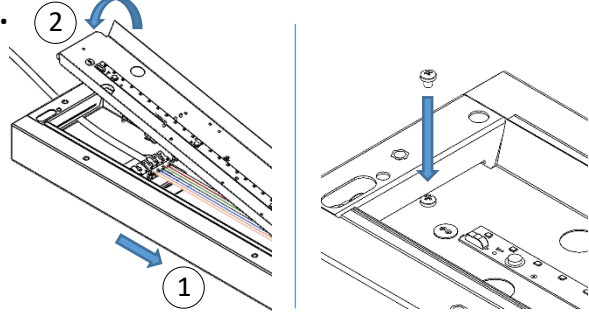
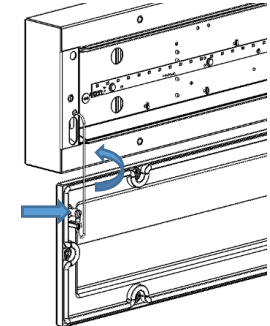
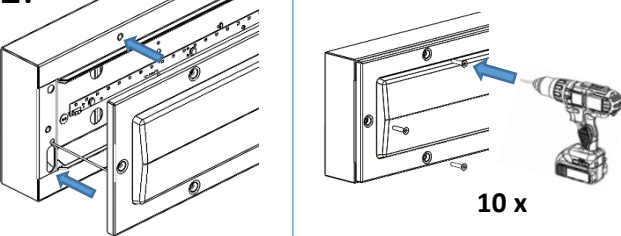
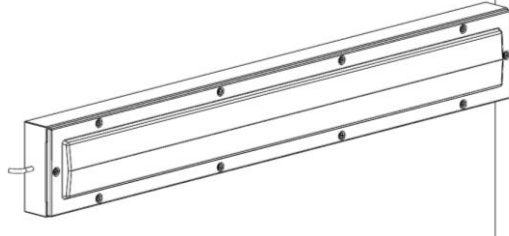
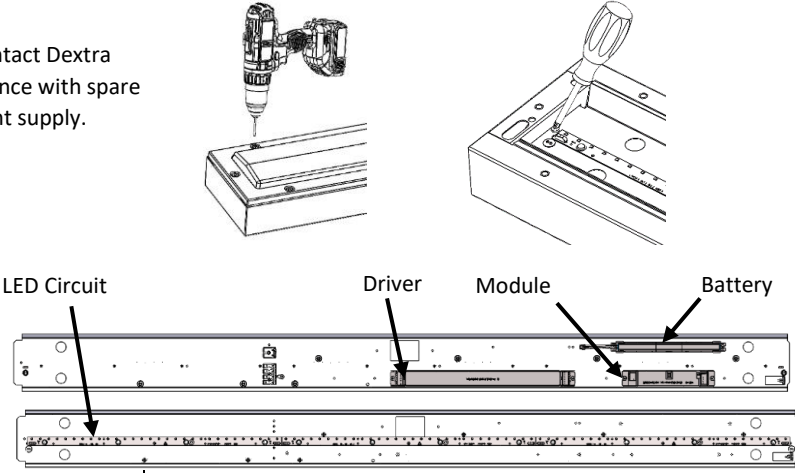
5.

Slim version only - Drill alternate cable entry hole position if chosen grommet depth will clash with nutsert.

6.

Drill suitable fixings to suit required installation. **Please note, it is the contractor's responsibility to ensure the holes are suitably sealed. Failure to do so will invalidate the luminaire's IP rating.**

Tanek Installation

<p>7.</p>  <p>Side</p> <p>Rear</p> <p>Feed flex through preferred cable entry (contractor to supply suitable grommet). Make relevant electrical connection (all fittings will have 6 pole terminals due to generic housing to tray connector loom).</p>	<p>8.</p>  <p>Connect the tray to the housing using the internal loom.</p>
<p>9.</p>  <p>(1) Slide one end of the gear tray into the housing. (2) Then lower the gear tray into place. Secure the tray with the screw that was removed earlier in step 2.</p>	<p>10.</p>  <p>Offer the frame up to the housing. Ensure screw boss on diffuse will align with clearance hole in housing</p>
<p>11.</p>  <p>10 x</p> <p>Rest the frame on top of the housing. Insert all M5 screws before fully tightening to ensure alignment.</p>	<p>12.</p>  <p>Installation is now complete.</p>
<p><u>Maintenance</u></p> <p>① Disconnect luminaire before undertaking any maintenance or cleaning.</p> <p>② Cleaning should be undertaken on external parts of the luminaire only using a slightly damp lint free cloth.</p> <p>③ To access fitting remove the M5 Lobe Pin Drive Screws. Frame and diffuser can now be removed.</p> <p>④ To remove gear tray and components use a pan pozi screwdriver.</p> <p>⑤ Please contact Dextra for assistance with spare component supply.</p>  <p>LED Circuit</p> <p>Driver</p> <p>Module</p> <p>Battery</p>	