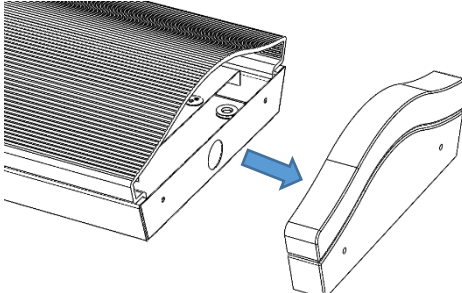


220-240V / 50-60Hz
IP20/IP40 IK08

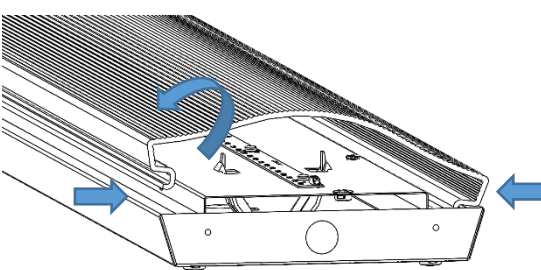


WARNING: Luminaire must be earthed. Risk of electric shock from LED boards if operated with cover removed. Installation / operation outside of luminaires intended scope invalidates warranty. Suitable only for domestic / light industrial / industrial applications within the scope of EN55015. Tested to compliance with BSEN 60598: specification for general requirements and tests. Must be installed by a suitably qualified person in accordance with all relevant legislation. Ambient operating temperature of 0°C to 25°C. If maximum operating temperature is exceeded luminaire will automatically dim / switch off. Terminal blocks are rated to 16A unless stated otherwise. The light source contained in this luminaire shall only be replaced by the manufacturer or his service agent or a similar qualified person. **LUMINAIRES WITH EMERGENCY PACK:** When supply is isolated battery output terminals may be live if battery is connected. Isolate mains and battery before servicing. Emergency luminaires require unswitched live connection taken from same phase as switched supply. When unswitched supply is connected status indicator illuminates green, when unswitched supply is disconnected indicator extinguishes and luminaire operates in emergency mode. 24 hour charge period required before undertaking full discharge test. Emergency test sheets provided should be used to record all emergency tests. Batteries should be replaced when 3 hour duration is not met. Excessive switching of permanent live may result in premature battery failure. Battery electrolyte can be harmful to eyes / open wounds, do not puncture, if electrolyte touches skin / eyes flush with water. Do not incinerate batteries.

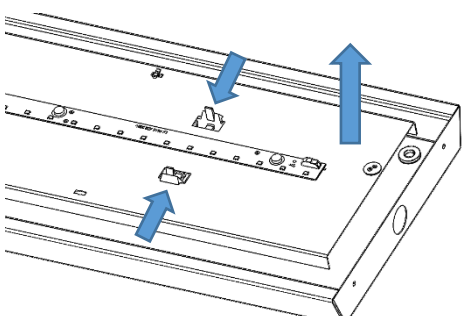
Terminal Labelling:	
Power	
L1	Switched Live
E	Earth
N	Neutral
Emergency	
L2	Unswitched Live
DA/AT3	DALI Autotest
DA/AT3	DALI Autotest
Dimming	
-D1/DA	Analogue/DSI/DALI
+D2/DA	Analogue/DSI/DALI
L3	Switch Dim / Corridor Function

1. 

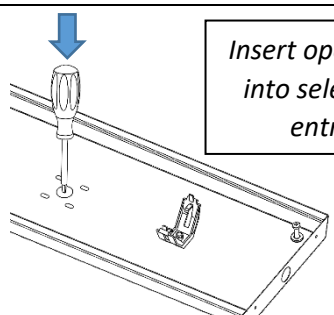
Remove the loose endcaps

2. 

Remove the diffuser from luminaire housing by gently squeezing the diffuser along its length.

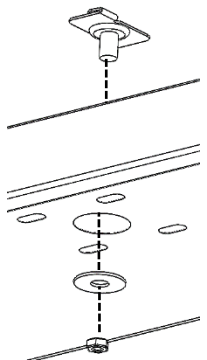
3. 

Remove the gear tray by pressing the mounting clips then lift the tray from the housing.

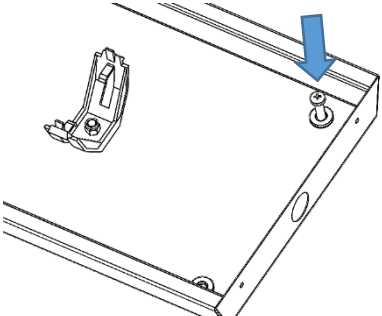
4. 

Insert open grommet into selected cable entry hole.

BESA MOUNT / CABLE ENTRY
Use a hammer and screwdriver to tap out the selected BESA or cable entry "semi shear".

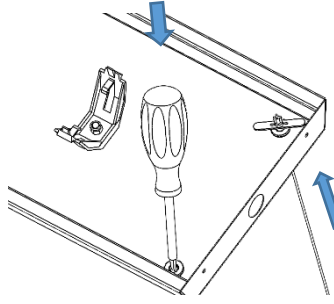
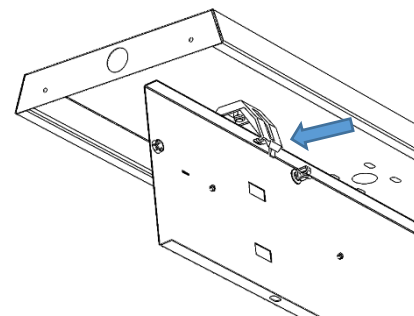
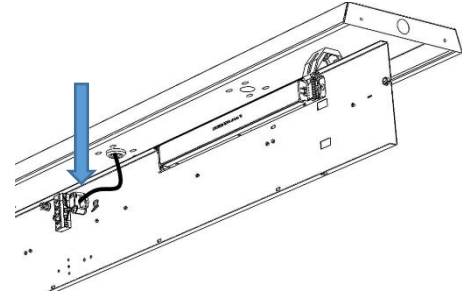
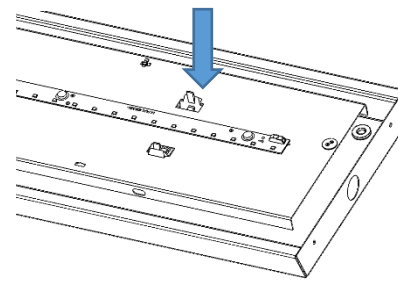
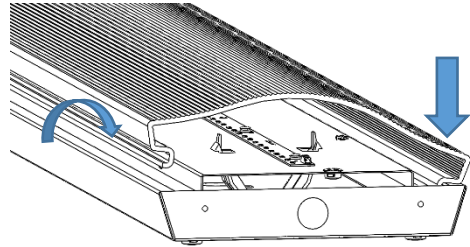
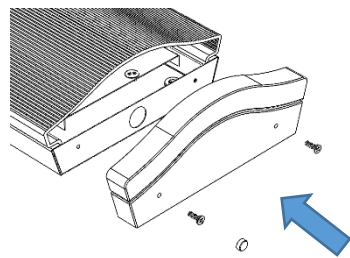
5. 

If mounting to T-Bar using a Britclip ensure penny washer is large enough to cover 20mm hole.

6. 

SURFACE MOUNT
Screw through the centre of the bumper feet

Graduate Installation

<p>7.</p>  <p>SUSPENDED MOUNT</p> <p>Pierce the centre of bumper, feet then pass suspension tether through the open centre.</p>	<p>8.</p>  <p>Hang gear tray from the housing mount clips.</p>
<p>9.</p>  <p>Insert grommet into chosen hole. Then a bring flex through and connect to the terminal block, clamp flex in place.</p>	<p>10.</p>  <p>Fit the gear tray back onto the housing clips.</p>
<p>11.</p>  <p>Re-fit the diffuser, tuck a long edge under the housing edge. Then flex the other side of the diffuser on to the housing.</p>	<p>12.</p>  <p>Attach endcaps and secure in place with screws provided. Push on the screw cover caps to complete the assembly.</p>
<p>Maintenance</p> <ol style="list-style-type: none"> ① Disconnect luminaire before undertaking any maintenance or cleaning. ② Cleaning should be undertaken on external parts of the luminaire only using a slightly damp lint free cloth. ③ To access fitting remove cover caps from screws on both endcaps. Use a pan pozi screwdriver to remove screws. ④ Remove the diffuser from luminaire housing by gently squeezing the diffuser along its length. ⑤ Remove the gear tray by pressing the mounting clips then lift the tray from housing. ⑥ Please contact Dextra for assistance with spare component supply. 