

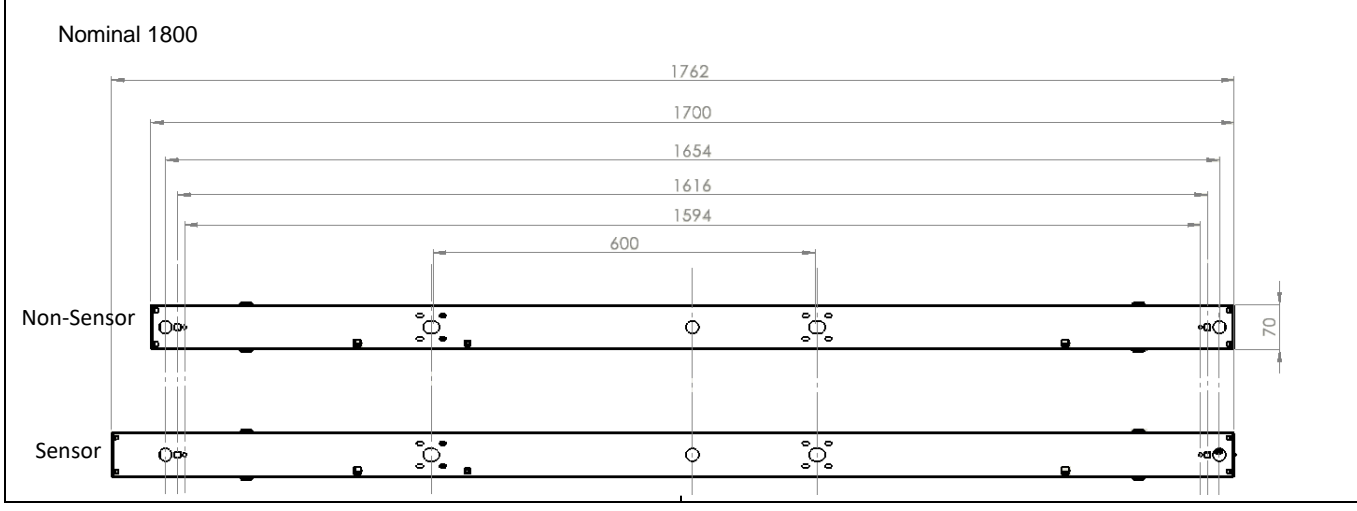
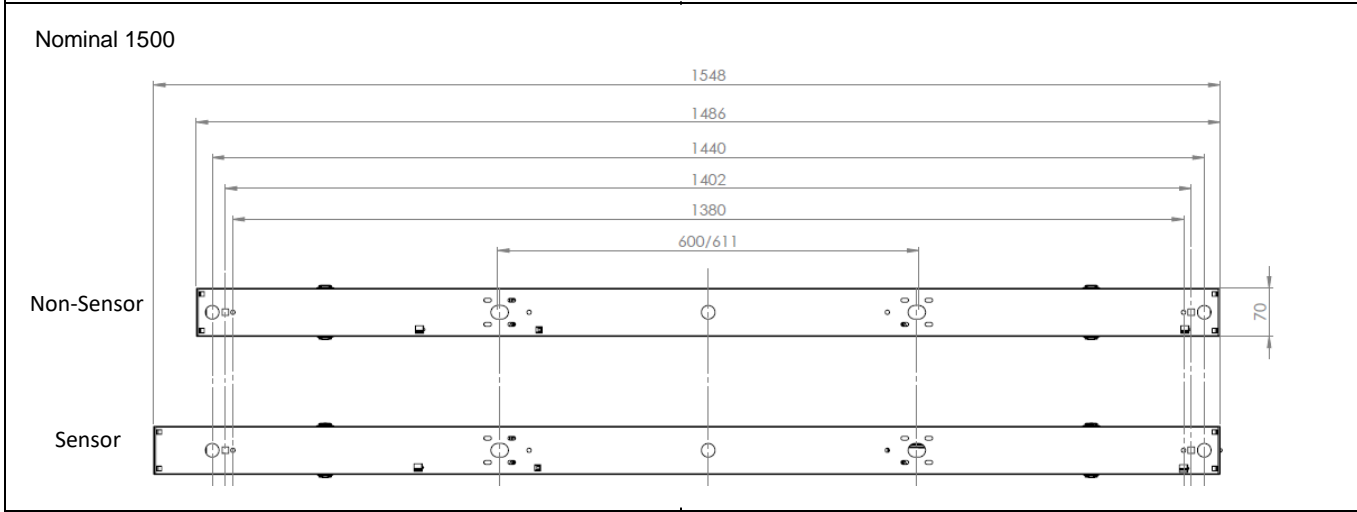
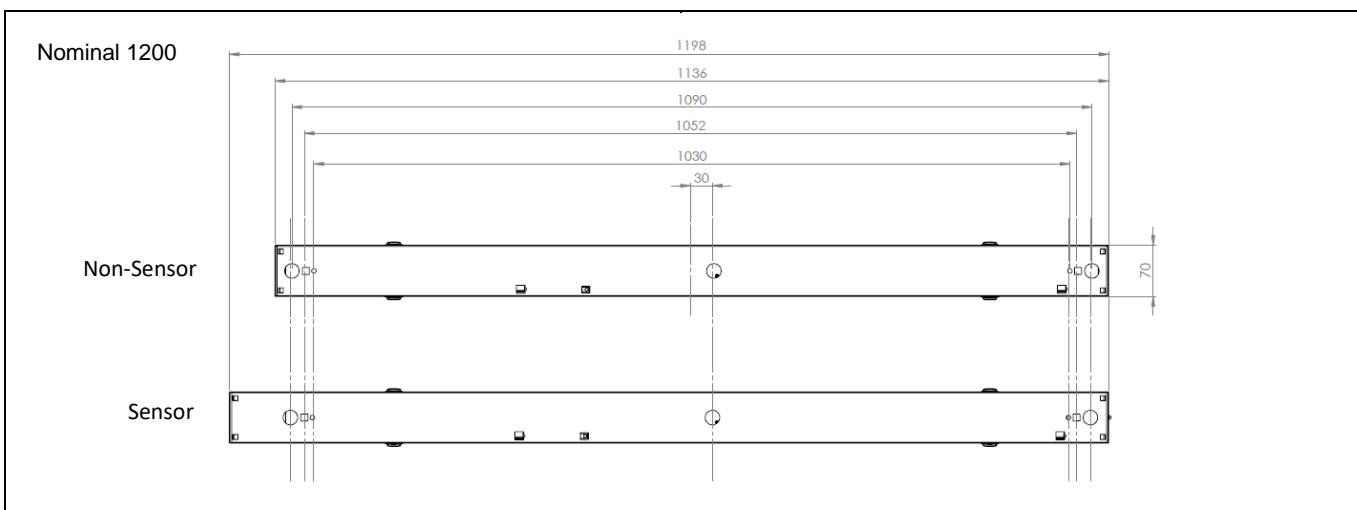
220-240V / 50-60Hz
IP20



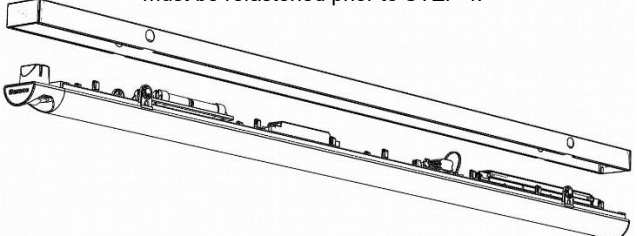
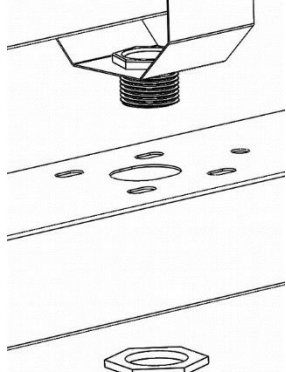
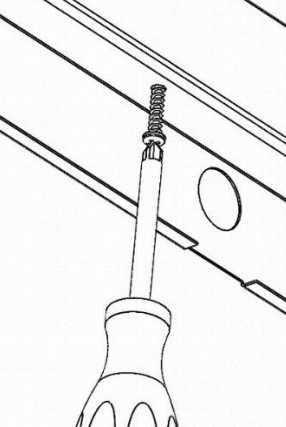
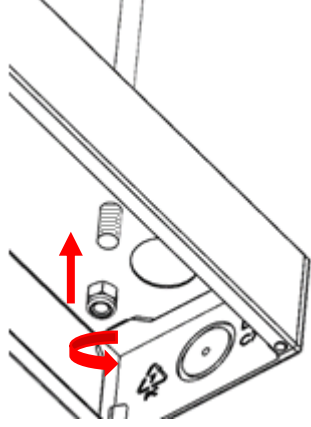
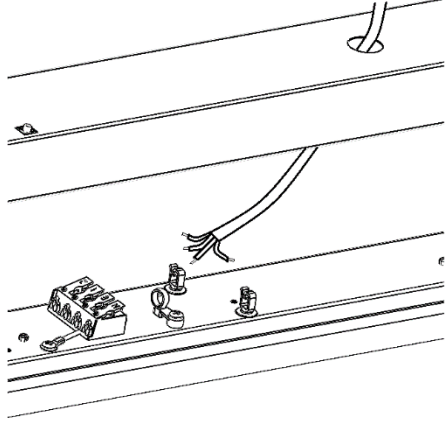
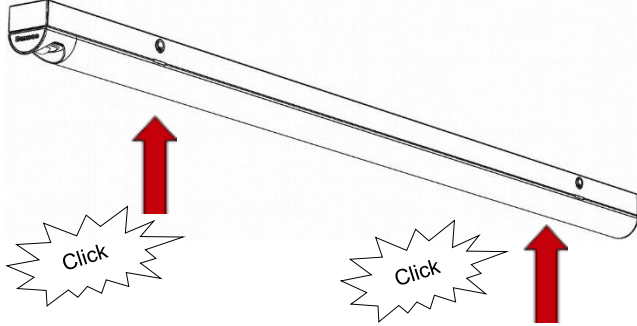
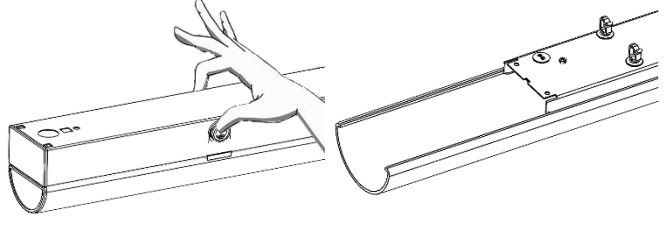
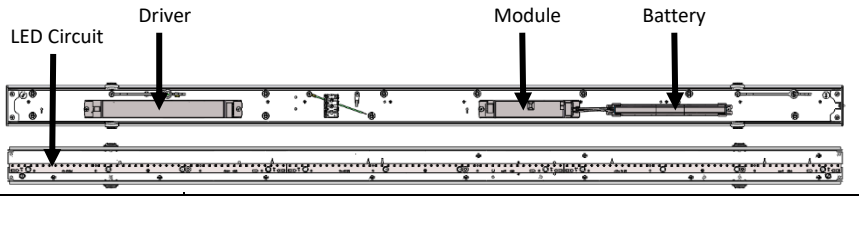
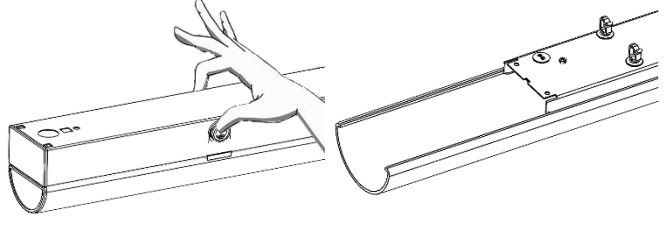
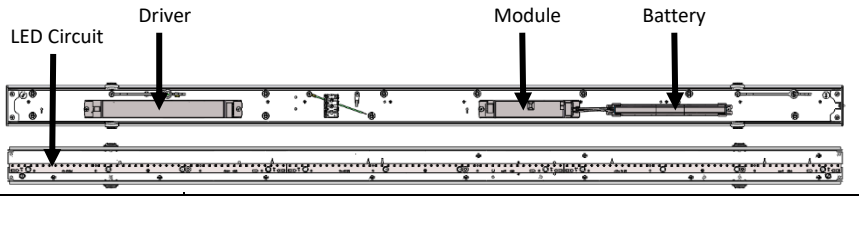
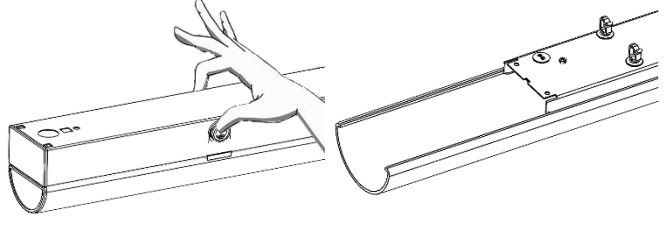
Terminal Labelling:

Power	
L1	Switched Live
E	Earth
N	Neutral
Emergency	
L2	Unswitched Live
DA/AT3	DALI Autotest
DA/AT3	DALI Autotest
Dimming	
-D1/DA	Analogue/DSI/DALI
+D2/DA	Analogue/DSI/DALI
L3	Switch Dim / Corridor Function

WARNING: Luminaire must be earthed. Risk of electric shock from LED boards if operated with cover removed. Installation / operation outside of luminaires intended scope invalidates warranty. Suitable only for domestic / light industrial / industrial applications within the scope of EN55015. Tested to compliance with BSEN 60598: specification for general requirements and tests. Must be installed by a suitably qualified person in accordance with all relevant legislation. Ambient operating temperature of 0°C to 25°C. If maximum operating temperature is exceeded luminaire will automatically dim / switch off. Terminal blocks are rated to 16A unless stated otherwise. The light source contained in this luminaire shall only be replaced by the manufacturer or his service agent or a similar qualified person. **LUMINAIRES WITH EMERGENCY PACK:** When supply is isolated battery output terminals may be live if battery is connected. Isolate mains and battery before servicing. Emergency luminaires require unswitched live connection taken from same phase as switched supply. When unswitched supply is connected status indicator illuminates green, when unswitched supply is disconnected indicator extinguishes and luminaire operates in emergency mode. 24 hour charge period required before undertaking full discharge test. Emergency test sheets provided should be used to record all emergency tests. Batteries should be replaced when 3 hour duration is not met. Excessive switching of permanent live may result in premature battery failure. Battery electrolyte can be harmful to eyes / open wounds, do not puncture, if electrolyte touches skin / eyes flush with water. Do not incinerate batteries.



Ecopak Installation

<p>1. Press 4x plastic clips simultaneously to disengage front optic from housing.</p> <p>Note – tether clips will be fastened between gear tray and housing. These may be temporarily released for ease of installation but must be refastened prior to STEP 4.</p> 	<p>2a. Choose an appropriate mount method to secure the housing.</p> <p>Trunking</p> 								
<p>2b. Solid Ceiling</p> 	<p>2c. Rigid Threaded Drop Rod</p> 								
<p>3. Feed cable through an appropriate cable entry hole, and through cable tie, then make electrical connection. Ensure cable tie securely tightened.</p> 	<p>4. Re-engage optic into housing. Ensure no cables/tethers are trapped and all four spring clips are fully engaged. For sensor versions, setup / commission as necessary.</p> 								
<p>Maintenance</p> <table border="0"> <tr> <td data-bbox="135 1601 478 1691"> <p>1 Disconnect luminaire before undertaking any maintenance or cleaning.</p> </td> <td data-bbox="494 1601 798 1713"> <p>5 To access LED circuit use a pan pozi screwdriver to remove endcaps, diffuser will then slide out from tray.</p> </td> </tr> <tr> <td data-bbox="135 1691 478 1780"> <p>2 Cleaning should be undertaken only on external parts of the luminaire using a slightly damp lint free cloth.</p> </td> <td data-bbox="494 1713 798 1803"> <p>6 Please contact Dextra for assistance with spare component supply.</p> </td> </tr> <tr> <td data-bbox="135 1780 478 1960"> <p>3 Release tray from housing by pressing x4 plastic clips. Note – tether clips will be fastened between gear tray and housing. These may be temporarily released for ease of maintenance but must be refastened.</p> </td> <td data-bbox="805 1579 1476 1803">  </td> </tr> <tr> <td data-bbox="135 1960 478 2049"> <p>4 Use a pan pozi screwdriver to remove components.</p> </td> <td data-bbox="614 1825 1476 2049">  </td> </tr> </table>		<p>1 Disconnect luminaire before undertaking any maintenance or cleaning.</p>	<p>5 To access LED circuit use a pan pozi screwdriver to remove endcaps, diffuser will then slide out from tray.</p>	<p>2 Cleaning should be undertaken only on external parts of the luminaire using a slightly damp lint free cloth.</p>	<p>6 Please contact Dextra for assistance with spare component supply.</p>	<p>3 Release tray from housing by pressing x4 plastic clips. Note – tether clips will be fastened between gear tray and housing. These may be temporarily released for ease of maintenance but must be refastened.</p>		<p>4 Use a pan pozi screwdriver to remove components.</p>	
<p>1 Disconnect luminaire before undertaking any maintenance or cleaning.</p>	<p>5 To access LED circuit use a pan pozi screwdriver to remove endcaps, diffuser will then slide out from tray.</p>								
<p>2 Cleaning should be undertaken only on external parts of the luminaire using a slightly damp lint free cloth.</p>	<p>6 Please contact Dextra for assistance with spare component supply.</p>								
<p>3 Release tray from housing by pressing x4 plastic clips. Note – tether clips will be fastened between gear tray and housing. These may be temporarily released for ease of maintenance but must be refastened.</p>									
<p>4 Use a pan pozi screwdriver to remove components.</p>	