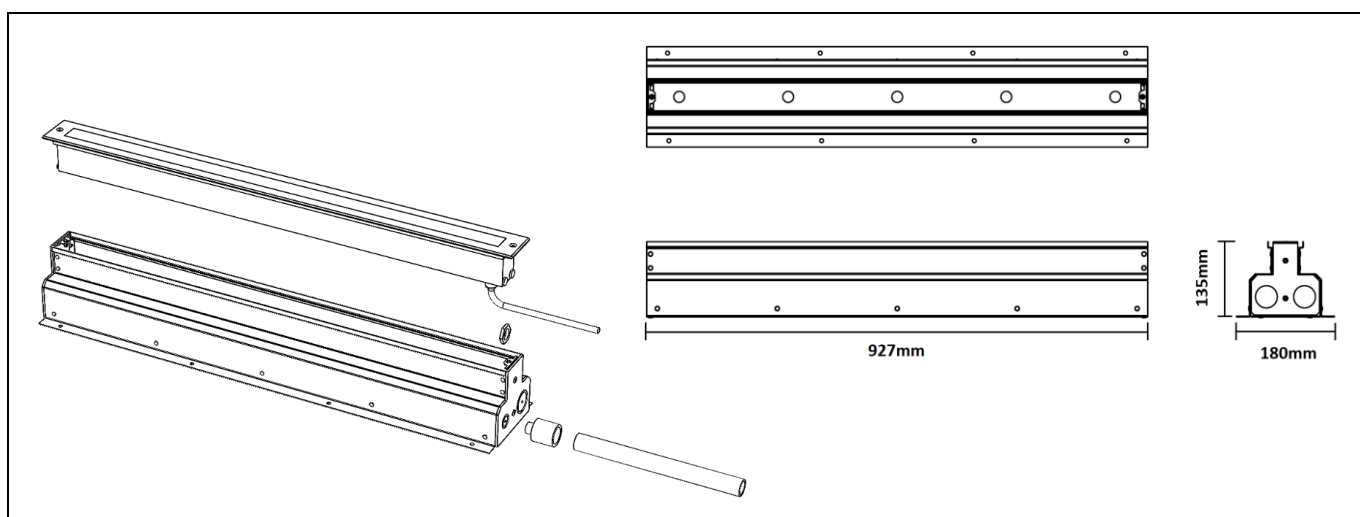


IP66
IK08



Terminal Labelling:	
Power	
L1	Switched Live
E	Earth
N	Neutral
Emergency	
L2	Unswitched Live
DA/AT3	DALI Autotest
DA/AT3	DALI Autotest
Dimming	
-/D1/DA	Analogue/DSI/DALI
+/D2/DA	Analogue/DSI/DALI
L3	Switch Dim / Corridor Function

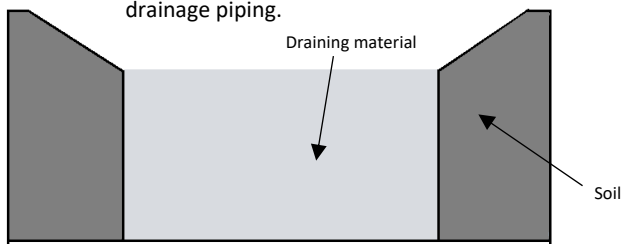
WARNING: Luminaire must be earthed. Risk of electric shock from LED boards if operated with cover removed. Installation / operation outside of luminaires intended scope invalidates warranty. Suitable only for domestic / light industrial / industrial applications within the scope of EN55015. Tested to compliance with BSEN 60598: specification for general requirements and tests. Must be installed by a suitably qualified person in accordance with all relevant legislation. Ambient operating temperature of 0°C to 25°C. If maximum operating temperature is exceeded luminaire will automatically dim / switch off. Terminal blocks are rated to 16A unless stated otherwise. The light source is non replaceable. **LUMINAIRES WITH EMERGENCY PACK:** When supply is isolated battery output terminals may be live if battery is connected. Isolate mains and battery before servicing. Emergency luminaires require unswitched live connection taken from same phase as switched supply. When unswitched supply is connected status indicator illuminates green, when unswitched supply is disconnected indicator extinguishes and luminaire operates in emergency mode. 24 hour charge period required before undertaking full discharge test. Emergency test sheets provided should be used to record all emergency tests. Batteries should be replaced when 3 hour duration is not met. Excessive switching of permanent live may result in premature battery failure. Battery electrolyte can be harmful to eyes / open wounds, do not puncture, if electrolyte touches skin / eyes flush with water. Do not incinerate batteries.



1. Prepare Ground

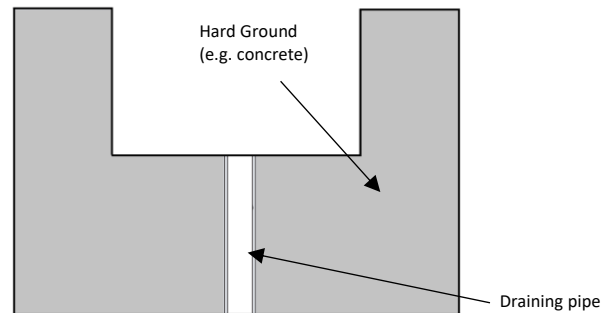
Soft Ground

- Proper drainage material must support the entire mounting box length in order for it to reach 1000kg resistance.
- If drainage material is used, provide support for the entire mounting box length and install adequate drainage piping.



Hard Ground

- Prepare ground hole, including proper drainage piping. The length of the entire mounting box must be supported in order to reach 1000kg resistance.

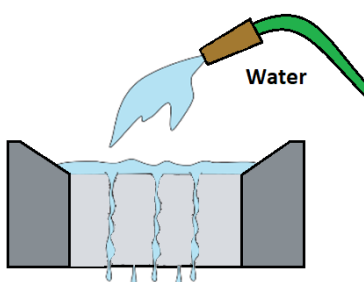


2. Test Drainage

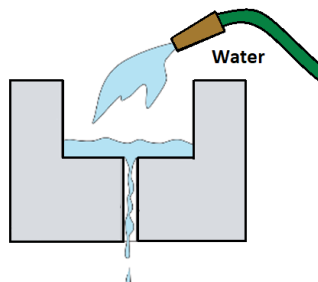
Testing the Drainage Piping

- In order to validate the efficiency of the drainage piping, a quantity of water equivalent to the volume of the mounting box must completely drain in 30 minutes.
- Drainage testing should be performed prior to installation of the In-ground luminaire.

Soft Ground



Hard Ground

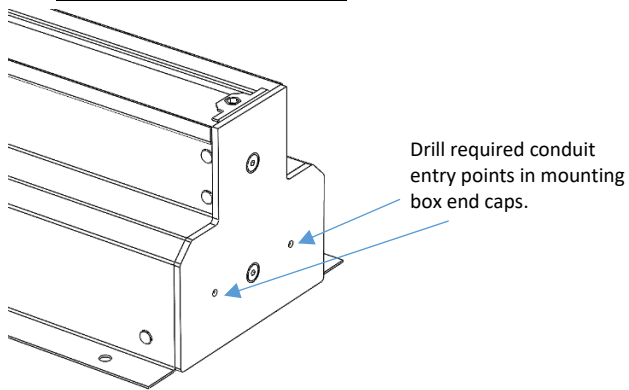


Mounting Box Length = 1m (927mm)
 Mounting Box Volume = 12,713cm³ (776in³)
 Minimum drainage rate = 0.43L/ min (0.11gal./ min)

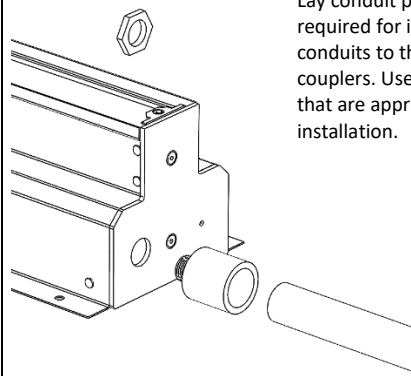
WARNING: Failure to provide adequate draining installation will void warranty.

Glide In-Ground (GIG) Installation

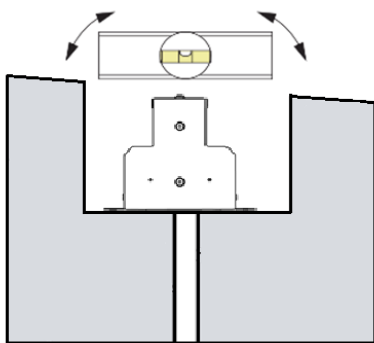
3. Install Conduits and Cables



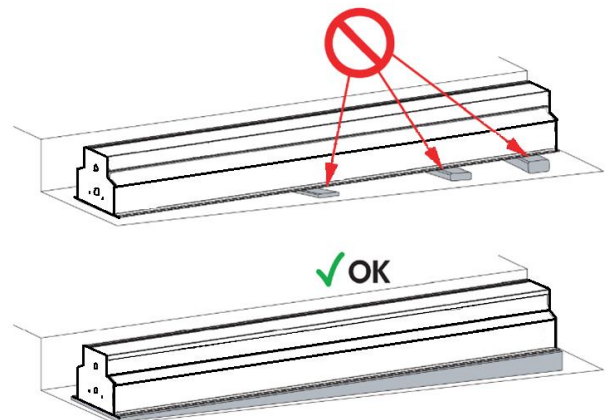
4.



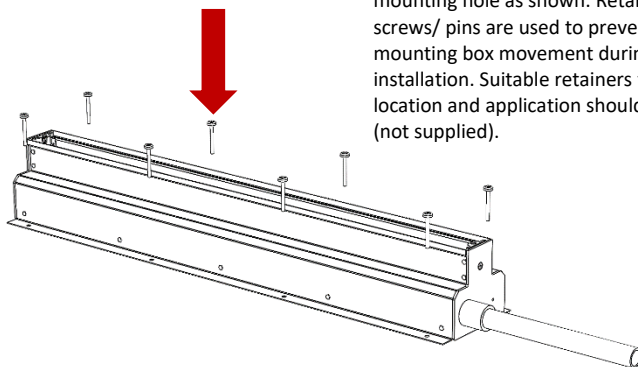
5. Level Mounting Box



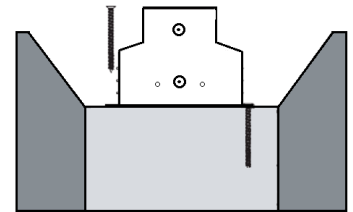
NOTE: a sloped installation will affect the light distribution of the luminaire. Consider the ground level when selecting a tilt angle for the application.



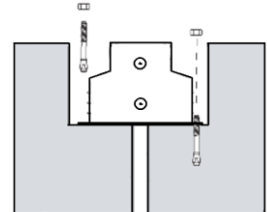
6.



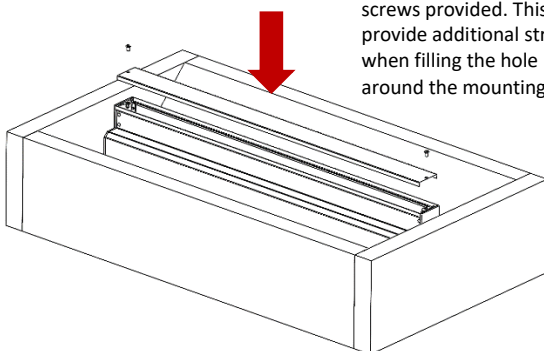
Soft Ground



Hard Ground



7. Install mounting box cover



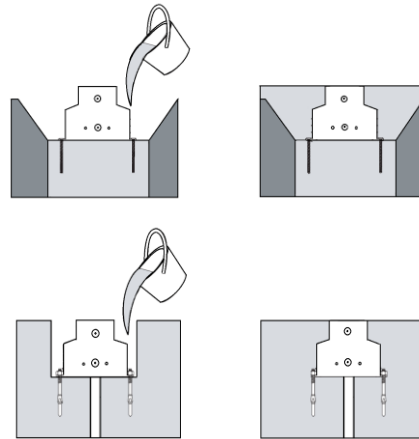
8.

Perform a final inspection before pouring filling material. Ensure the mounting box is level and does not move. Failure to ensure the box is secure may result in a failed installation and will void the warranty.

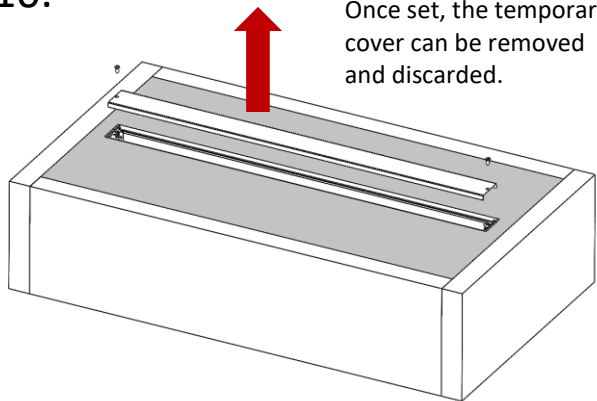
Glide In-Ground (GIG) Installation

9.

- Pour the material (concrete) around the mounting box.
- It is critical to ensure the material is flush with the top of the mounting box!
- Clean the top of the mounting box to remove any excess of material that may prevent cover removal.



10.



Once set, the temporary cover can be removed and discarded.

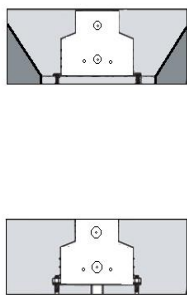
11.

The mounting box is walk-over compliant up to 1000kg, concrete supported. A minimum of 10" (0.25m) of concrete is required around the entire length and height of the mounting box.

12. Installation Guidelines



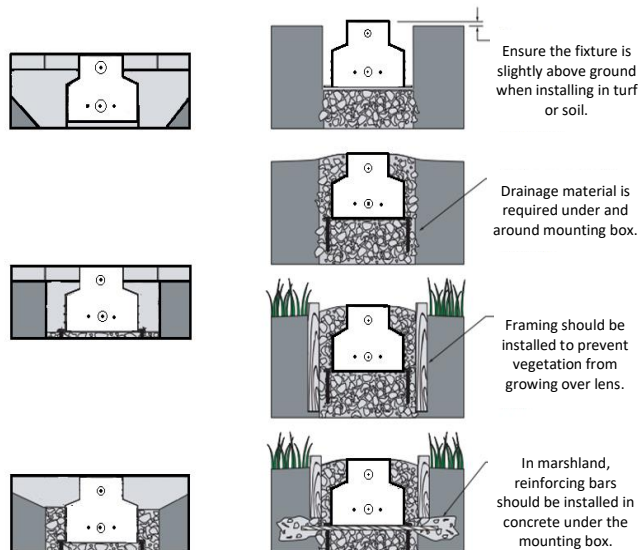
Valid Installations
1000kg walk-over compliant,
concrete-supported



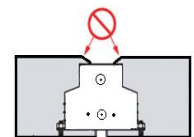
Concrete must support 100% of the mounting box's exterior surfaces in order to comply with 1000kg walk-over resistance requirements.



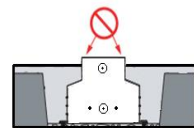
Valid Installations
500kg walk-over compliant,
self-supported



Incorrect Installations



Mounting box must never be installed below ground level.

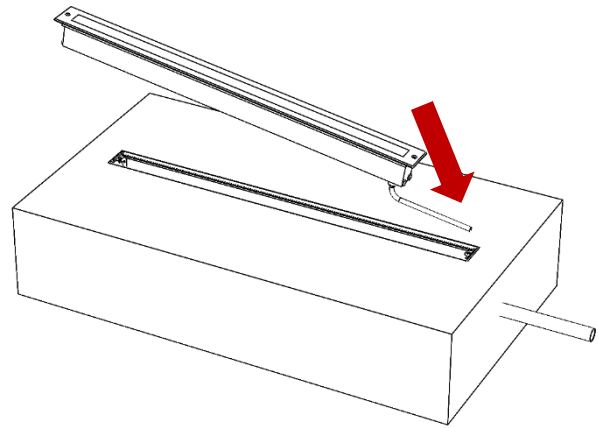


Mounting box must never protrude from ground level.

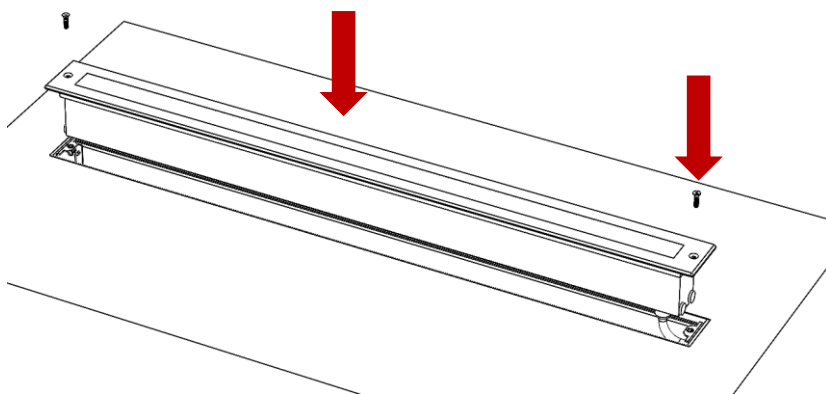
Glide In-Ground (GIG) Installation

13. Luminaire Installation

Feed the electrical cable through the conduit or make the relevant electrical connections to incoming cabling outside of the mounting box. Once electrical cabling connections have been made, tuck the cable inside the box.



14.



- Carefully fit the luminaire into the mounting box, ensuring the cabling does not get trapped.
- Fix in position using the 2x M5 screws provided and ensure fitting trim sits flush with the ground.