

220-240V / 50-60Hz
IP20



WARNING: Luminaire must be earthed. Risk of electric shock from LED boards if operated with cover removed. Installation / operation outside of luminaires intended scope invalidates warranty. Suitable only for domestic / light industrial / industrial applications within the scope of EN55015. Tested to compliance with BSEN 60598: specification for general requirements and tests. Must be installed by a suitably qualified person in accordance with all relevant legislation. Ambient operating temperature of 0°C to 25°C. If maximum operating temperature is exceeded luminaire will automatically dim / switch off. Terminal blocks are rated to 16A unless stated otherwise. The light source contained in this luminaire shall only be replaced by the manufacturer or his service agent or a similar qualified person. **LUMINAIRES WITH EMERGENCY PACK:** When supply is isolated battery output terminals may be live if battery is connected. Isolate mains and battery before servicing. Emergency luminaires require unswitched live connection taken from same phase as switched supply. When unswitched supply is connected status indicator illuminates green, when unswitched supply is disconnected indicator extinguishes and luminaire operates in emergency mode. 24 hour charge period required before undertaking full discharge test. Emergency test sheets provided should be used to record all emergency tests. Batteries should be replaced when 3 hour duration is not met. Excessive switching of permanent live may result in premature battery failure. Battery electrolyte can be harmful to eyes / open wounds, do not puncture, if electrolyte touches skin / eyes flush with water. Do not incinerate batteries.

Terminal Labelling:

Power

L1 Switched Live
E Earth
N Neutral

Emergency

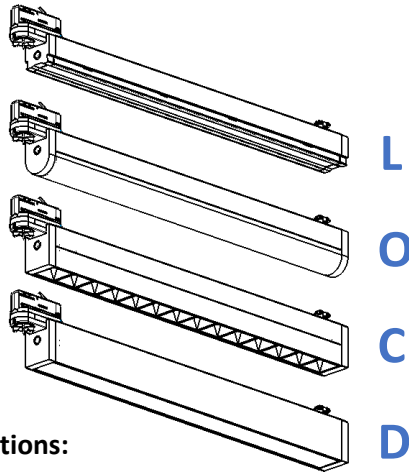
L2 Unswitched Live
DA/AT3 DALI Autotest
DA/AT3 DALI Autotest

Dimming

-/D1/DA Analogue/DSI/DALI
+/D2/DA Analogue/DSI/DALI
L3 Switch Dim / Corridor Function



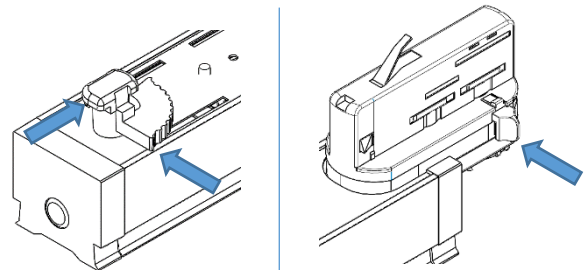
1.



All variations:

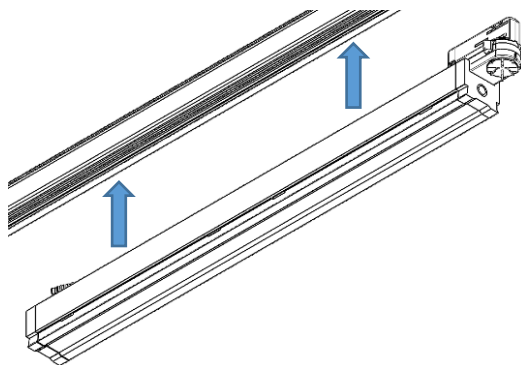
2.

Installation for standard fittings ONLY:



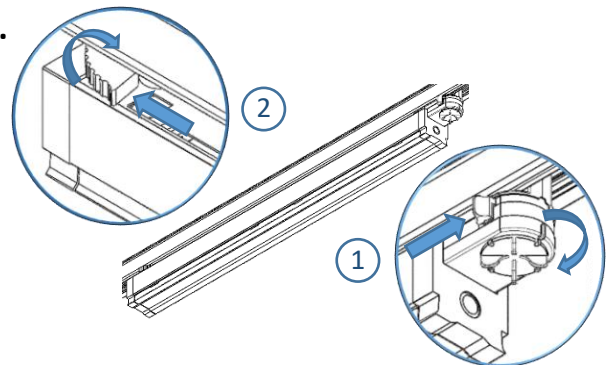
Ensure the quarter turn is aligned correctly and located on the same side as the locking pin for the track adaptor.

3.



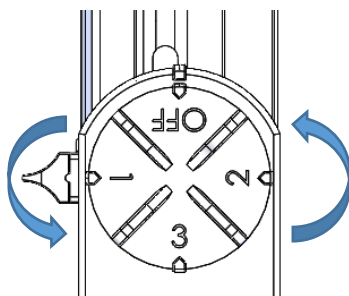
Offer the luminaire up to the track. Ensure both the track adaptor and quarter turn are pushed inside the track.

4.



(1) Rotate the lever to lock the track adaptor in place.
(2) Now that it's locked, rotate the quarter turn by 90 degrees.

5.

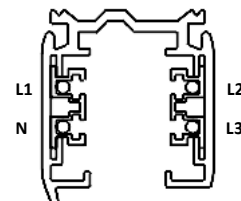


Rotate to select the desired circuit.

6.

Installation for DALI emergency fittings ONLY:

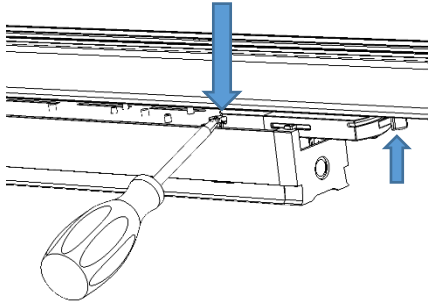
L1 = Switched Live
L2 = Unswitched Live
L3 = Not required
N = Neutral



When installing a DALI emergency fitting, please ensure the global track is configured as shown above.

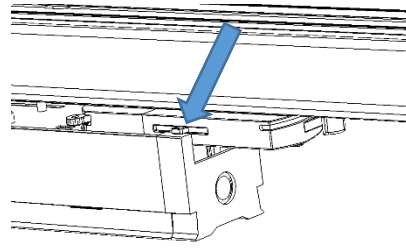
Ineal 46 Installation

7.



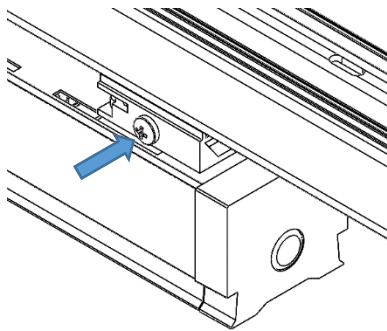
Rotate the two levers to lock the **DALI** adaptor to the track. You may require a tool to rotate the lever.

8.



Once locked adjust lever to select the desired circuit.

9.



EMERGENCY FITTINGS ONLY: Rotate the lever then insert the locking screw into the mechanical lock.

10.

Moving the luminaire

If the luminaire needs to be moved at any point, ensure the track adaptor is unlocked and the corresponding quarter turn/mechanical lock(s) are disengaged.

This will prevent any damage to the luminaire.

Maintenance

Disconnect luminaire before undertaking any maintenance or cleaning.

Cleaning should be undertaken on external parts of the luminaire only using a slightly damp lint free cloth.

This is a non-user serviceable part please contact Dextra for assistance.