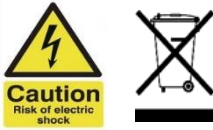


Opus Highbay Installation

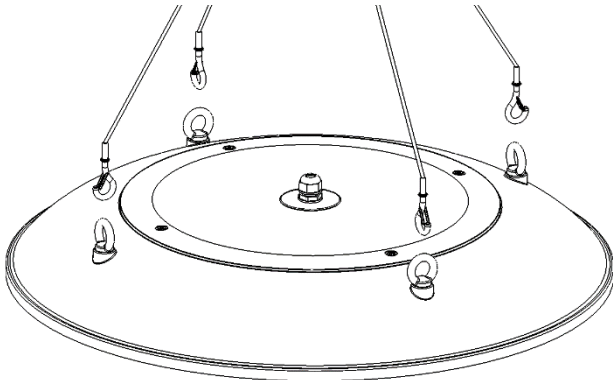
220-240V / 50-60Hz
IP65



WARNING: Luminaire must be earthed. Risk of electric shock from LED boards if operated with cover removed. Installation / operation outside of luminaires intended scope invalidates warranty. Suitable only for domestic / light industrial / industrial applications within the scope of EN55015. Tested to compliance with BSEN 60598: specification for general requirements and tests. Must be installed by a suitably qualified person in accordance with all relevant legislation. Ambient operating temperature of 0°C to 25°C. If maximum operating temperature is exceeded luminaire will automatically dim / switch off. Terminal blocks are rated to 16A unless stated otherwise. The light source contained in this luminaire shall only be replaced by the manufacturer or his service agent or a similar qualified person. **LUMINAIRES WITH EMERGENCY PACK:** When supply is isolated battery output terminals may be live if battery is connected. Isolate mains and battery before servicing. Emergency luminaires require unswitched live connection taken from same phase as switched supply. When unswitched supply is connected status indicator illuminates green, when unswitched supply is disconnected indicator extinguishes and luminaire operates in emergency mode. 24 hour charge period required before undertaking full discharge test. Emergency test sheets provided should be used to record all emergency tests. Batteries should be replaced when 3 hour duration is not met. Excessive switching of permanent live may result in premature battery failure. Battery electrolyte can be harmful to eyes / open wounds, do not puncture, if electrolyte touches skin / eyes flush with water. Do not incinerate batteries.

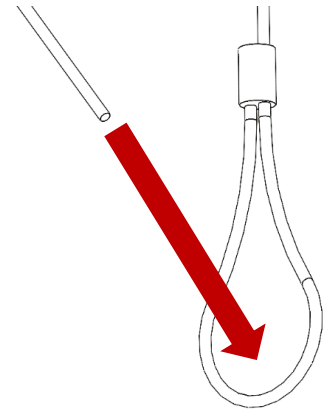
Terminal Labelling:	
Power	
L1	Switched Live
E	Earth
N	Neutral
Emergency	
L2	Unswitched Live
DA/AT3	DALI Autotest
DA/AT3	DALI Autotest
Dimming	
-/D1/DA	Analogue/DSI/DALI
+/D2/DA	Analogue/DSI/DALI
L3	Switch Dim / Corridor Function

1. Attach suspension to hooks on fitting.



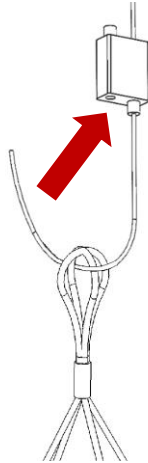
2.

Using the suspension wire provided, pass the tether over a suitable suspension point in ceiling (purlin or suitably rated eyehook etc.) and feed the free end through the loop end. Pull tight to secure to ceiling.



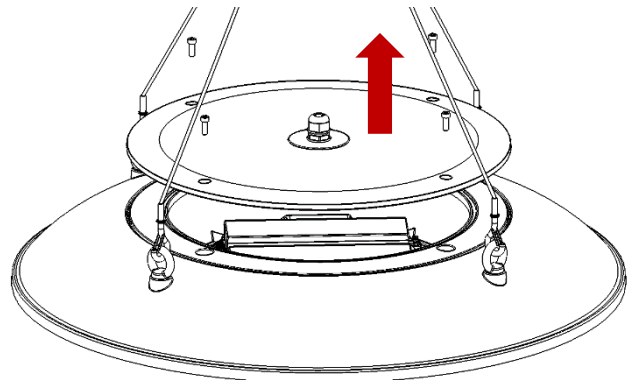
3.

With the suspension gripper attached, pass the free end through the loops in the suspension wires and pass back through the gripper. Adjust to required mounting height.

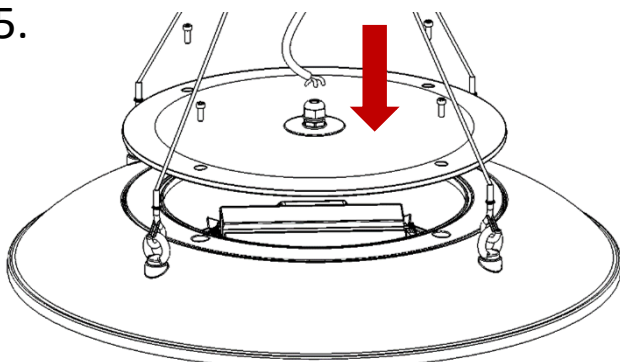


4.

Remove screws from gear cover.



5.



Feed mains cable through the gland and wire into respective terminal block. Ensure cable clamp is used and tighten gland around cable when finished. Replace cover and screws when finished.

6.

NOTE: We recommend the use of a secondary safety tether where the fitting is installed in a location where it may cause injury or damage if it were to fall.

Sensor versions should only be suspended in areas where they will not be subjected to air movement that may cause the luminaires to swing and the sensor to false trigger.

Maintenance

- 1 Disconnect luminaire before undertaken any maintenance or cleaning.
- 2 Cleaning should be undertaken on external parts of the luminaire only using a slightly damp lint free cloth.
- 3 To access fitting use a M5 Allen Key to remove screws from cover.
- 4 Use a pan pozi screwdriver to remove gear tray and components.
- 5 To access LED circuit use a Torque Wrench set to 11NM to remove screws from glass. Use a pan pozi screwdriver to remove LED circuit.
- 6 Please contact Dextra for assistance with spare component supply.

