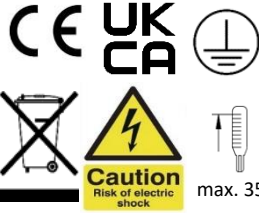


220-240V / 50-60Hz
IP65 / IP66



WARNING: Luminaire must be earthed. Risk of electric shock from LED boards if operated with cover removed. Installation / operation outside of luminaires intended scope invalidates warranty. Suitable only for domestic / light industrial / industrial applications within the scope of EN55015. Tested to compliance with BSEN 60598: specification for general requirements and tests. Must be installed by a suitably qualified person in accordance with all relevant legislation. Ambient operating temperature of 0°C to 25°C. If maximum operating temperature is exceeded luminaire will automatically dim / switch off. Terminal blocks are rated to 16A unless stated otherwise. The light source is non user replaceable. **LUMINAIRES WITH EMERGENCY PACK:** When supply is isolated battery output terminals may be live if battery is connected. Isolate mains and battery before servicing. Emergency luminaires require unswitched live connection taken from same phase as switched supply. When unswitched supply is connected status indicator illuminates green, when unswitched supply is disconnected indicator extinguishes and luminaire operates in emergency mode. 24 hour charge period required before undertaking full discharge test. Emergency test sheets provided should be used to record all emergency tests. Batteries should be replaced when 3 hour duration is not met. Excessive switching of permanent live may result in premature battery failure. Battery electrolyte can be harmful to eyes / open wounds, do not puncture, if electrolyte touches skin / eyes flush with water. Do not incinerate batteries.

Terminal Labelling:

Power	
L1	Switched Live
E	Earth
N	Neutral
Emergency	
L2	Unswitched Live
DA/AT3	DALI Autotest
DA/AT3	DALI Autotest
Dimming	
-/D1/DA	Analogue/DSI/DALI
+/D2/DA	Analogue/DSI/DALI
L3	Switch Dim / Corridor Function

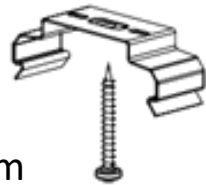
1a.



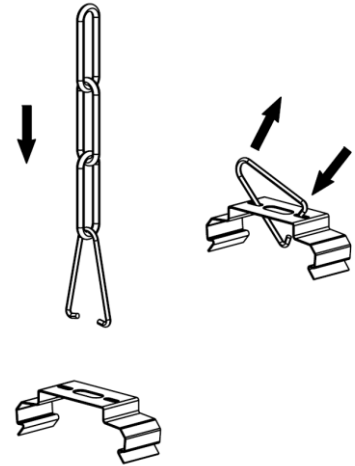
Ø6mm

Surface Mount

Ø5mm



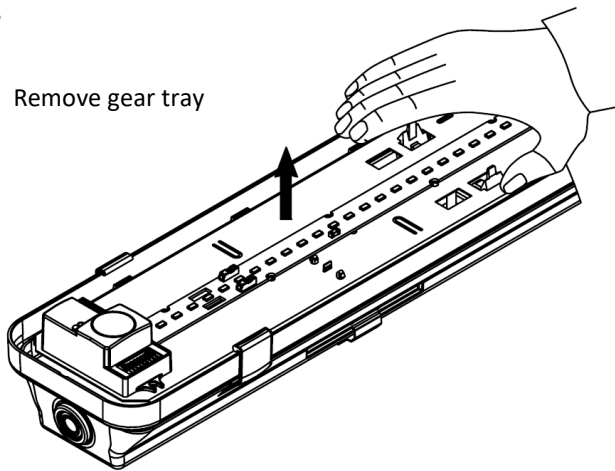
1b.



Suspension mount

2.

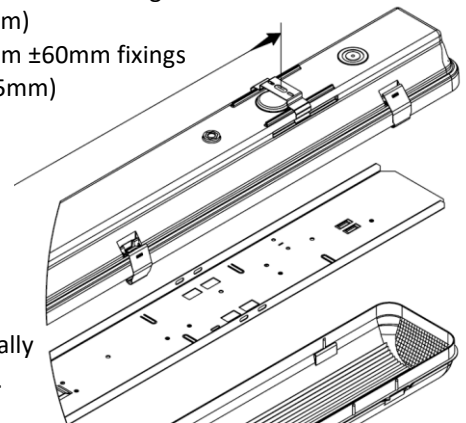
Remove gear tray



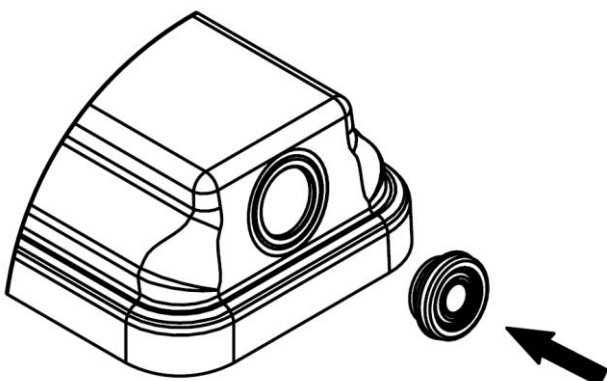
3.

- 4ft: 865mm ±60mm fixings (805-925mm)
- 5ft: 1165mm ±60mm fixings (1105-1225mm)

Clips to be mounted centrally on the housing.

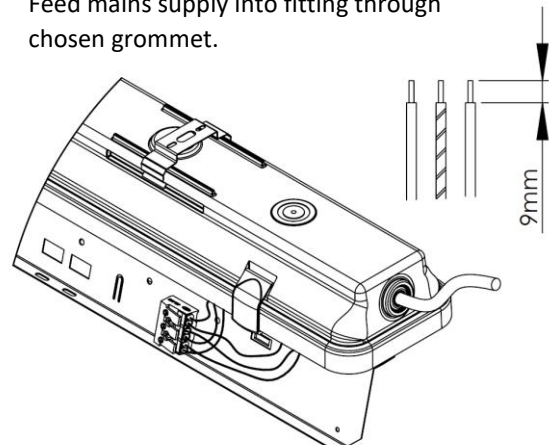


4.



5.

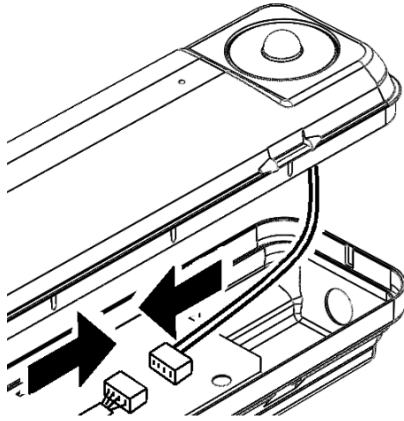
Feed mains supply into fitting through chosen grommet.



Typhon Installation

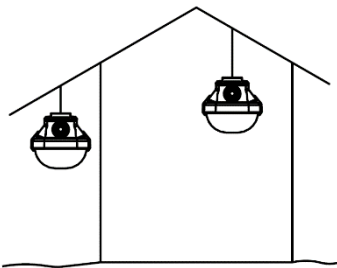
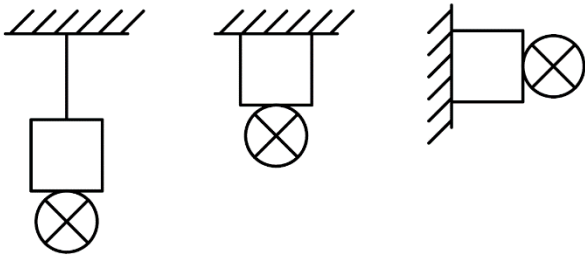
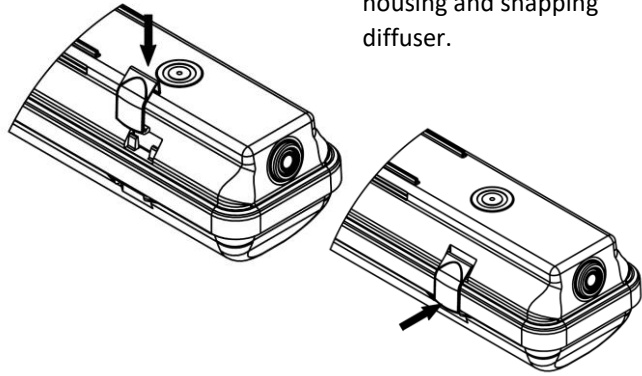
6.

Connect sensor lead to the rear of the sensor if applicable.



7.

Fit diffuser clips by sliding housing and snapping diffuser.



When installed externally the luminaire must be protected under canopy and not exposed to direct rainfall

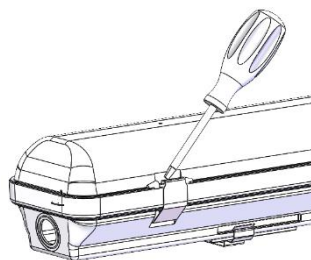


Maintenance

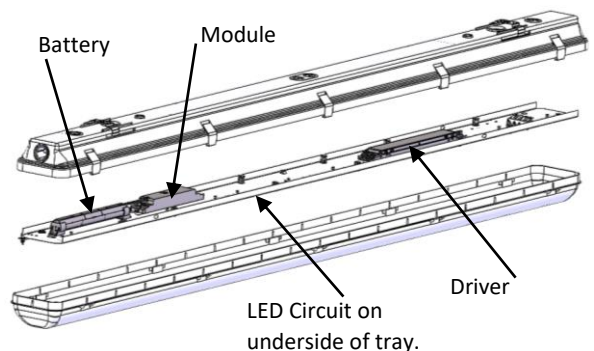
1 Disconnect luminaire before undertaking any maintenance or cleaning.

2 Cleaning should be undertaken on external parts of the luminaire only using a slightly damp lint free cloth.

3 To access tray remove clips using a flat head screwdriver.



4 Use a pan pozi screwdriver when removing components.



5 Please contact Dextra for assistance with spare component supply.