

Torrent Single Installation

220-240V / 50-60Hz
IP65

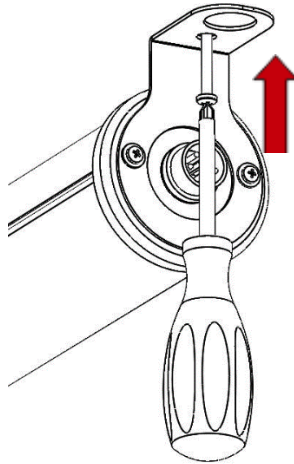


Terminal Labelling:	
Power	
L1	Switched Live
E	Earth
N	Neutral
Emergency	
L2	Unswitched Live
DA/AT3	DALI Autotest
DA/AT3	DALI Autotest
Dimming	
-/D1/DA	Analogue/DSI/DALI
+/D2/DA	Analogue/DSI/DALI
L3	Switch Dim / Corridor Function

WARNING: Luminaire must be earthed. Risk of electric shock from LED boards if operated with cover removed. Installation / operation outside of luminaires intended scope invalidates warranty. Suitable only for domestic / light industrial / industrial applications within the scope of EN55015. Tested to compliance with BSEN 60598: specification for general requirements and tests. Must be installed by a suitably qualified person in accordance with all relevant legislation. Ambient operating temperature of 0°C to 25°C. If maximum operating temperature is exceeded luminaire will automatically dim / switch off. Terminal blocks are rated to 16A unless stated otherwise. The light source is non replaceable. **LUMINAIRES WITH EMERGENCY PACK:** When supply is isolated battery output terminals may be live if battery is connected. Isolate mains and battery before servicing. Emergency luminaires require unswitched live connection taken from same phase as switched supply. When unswitched supply is connected status indicator illuminates green, when unswitched supply is disconnected indicator extinguishes and luminaire operates in emergency mode. 24 hour charge period required before undertaking full discharge test. Emergency test sheets provided should be used to record all emergency tests. Batteries should be replaced when 3 hour duration is not met. Excessive switching of permanent live may result in premature battery failure. Battery electrolyte can be harmful to eyes / open wounds, do not puncture, if electrolyte touches skin / eyes flush with water. Do not incinerate batteries.

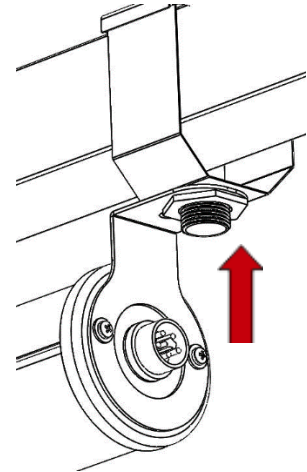
1.

Option 1



2.

Option 2



NOTE: DO NOT REMOVE THE STAINLESS BRACKETS AT ANY TIME. REMOVAL WILL VOID THE IP RATING AND WARRANTY.

3.

L- Switched Live
Or
***(Permanent Live)**

1- Permanent Live
Or
***(DALI +)**



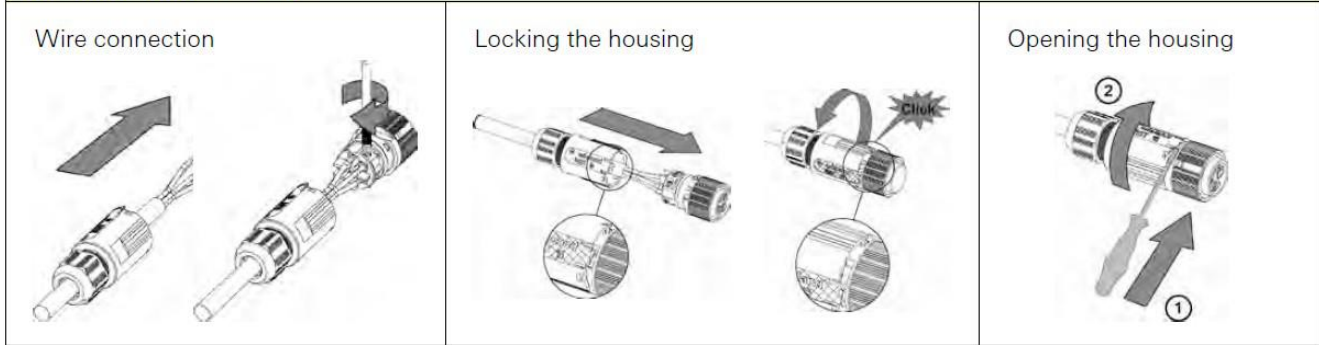
N- Neutral

2- Not Connected
Or
***(DALI -)**

*** For E3 DALI fittings, live is permanent and on/off is controlled by DALI**

4.

Installation instructions



TWISTLOCK – the smart lock



Please note that electrical connections and installations shall only be done by trained experts. Observe the included installation instructions!

Emergency luminaires are denoted by a green circular label beside the electrical connector. This must be removed after installation in order to prevent contamination in food production environments.

5.

6.