

220-240V / 50-60Hz

IP40

IK10

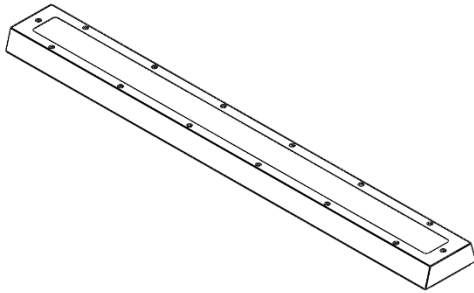


Terminal Labelling:	
Power	
L1	Switched Live
E	Earth
N	Neutral
Emergency	
L2	Unswitched Live
DA/AT3	DALI Autotest
DA/AT3	DALI Autotest
Dimming	
-/D1/DA	Analogue/DSI/DALI
+/D2/DA	Analogue/DSI/DALI
L3	Switch Dim / Corridor Function

WARNING: Luminaire must be earthed. Risk of electric shock from LED boards if operated with cover removed. Installation / operation outside of luminaires intended scope invalidates warranty. Suitable only for domestic / light industrial / industrial applications within the scope of EN55015. Tested to compliance with BSEN 60598: specification for general requirements and tests. Must be installed by a suitably qualified person in accordance with all relevant legislation. Ambient operating temperature of 0°C to 25°C. If maximum operating temperature is exceeded luminaire will automatically dim / switch off. Terminal blocks are rated to 16A unless stated otherwise. The light source contained in this luminaire shall only be replaced by the manufacturer or his service agent or a similar qualified person.

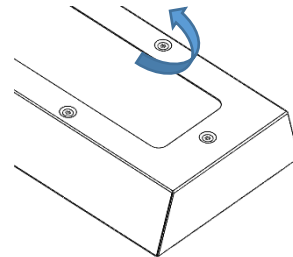
LUMINAIRES WITH EMERGENCY PACK: When supply is isolated battery output terminals may be live if battery is connected. Isolate mains and battery before servicing. Emergency luminaires require unswitched live connection taken from same phase as switched supply. When unswitched supply is connected status indicator illuminates green, when unswitched supply is disconnected indicator extinguishes and luminaire operates in emergency mode. 24 hour charge period required before undertaking full discharge test. Emergency test sheets provided should be used to record all emergency tests. Batteries should be replaced when 3 hour duration is not met. Excessive switching of permanent live may result in premature battery failure. Battery electrolyte can be harmful to eyes / open wounds, do not puncture, if electrolyte touches skin / eyes flush with water. Do not incinerate batteries.

1.



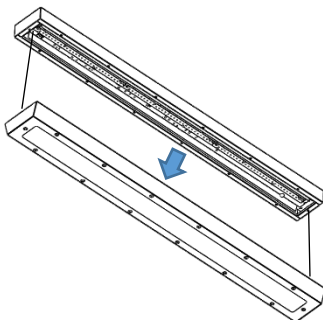
The fitting will come as a complete fitting, you will need to remove the front frame in order to install it onto an appropriate surface.

2.



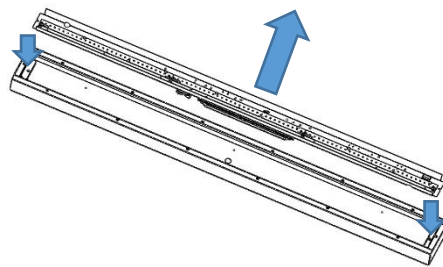
Undo the security fastener screws to release the front frame.

3.



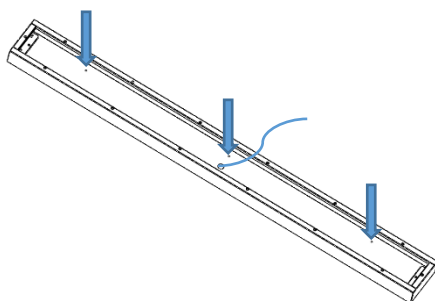
Remove the front frame and diffusers from the main body of the fitting. Allow the frame to hang from tether wires.

4.



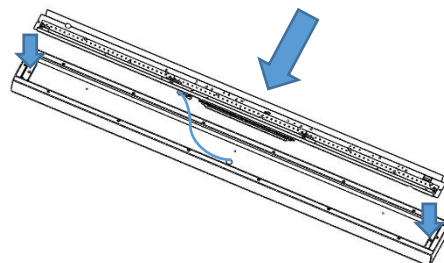
Unscrew the gear tray fixings at each end then remove the tray from the housing.

5.



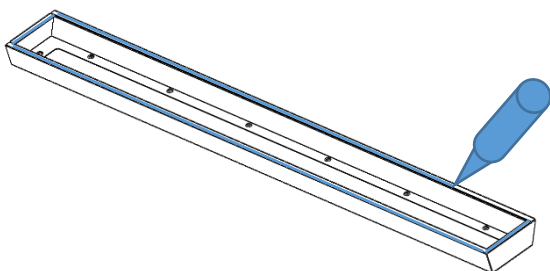
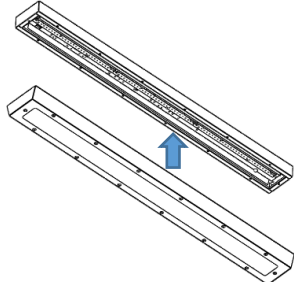
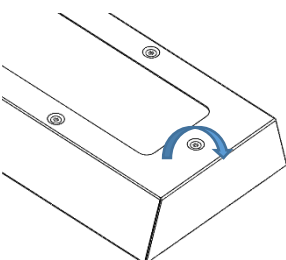
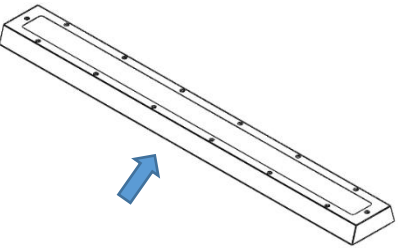
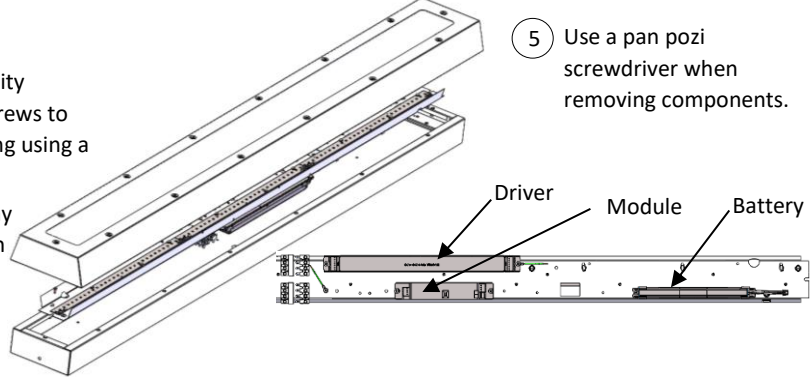
Feed the power cable through the central grommet hole. Then screw the housing to the wall using the 6 fixing points on the base of the housing.

6.



Wire the power cable into the chock block on the back of the gear tray. Then secure the gear tray back into the housing using the fixings at each end.

MOD Secure Surface Installation

<p>7.</p>  <p>Before re attaching the frame, run a bead of Anti-Pick Mastic around the back face of the frame.</p>	<p>8.</p>  <p>Offer up the front frame and diffusers to the main body of the fitting.</p>
<p>9.</p>  <p>Tighten the security fastener screws to secure the front frame to the housing.</p>	<p>10.</p>  <p>Wipe clean any excess mastic around the edge of the fitting.</p> <p>Installation is now complete.</p>
<p><u>Maintenance</u></p> <div style="display: flex; justify-content: space-between;"> <div style="width: 30%;"> <p>① Disconnect luminaire before undertaking any maintenance or cleaning.</p> <p>② Cleaning should be undertaken on external parts of the luminaire only using a slightly damp lint free cloth.</p> </div> <div style="width: 30%;"> <p>③ Undo security fastener screws to access fitting using a torx pin.</p> <p>④ To access gear tray remove screws on each end of tray.</p> </div> <div style="width: 30%;"> <p>⑤ Use a pan pozi screwdriver when removing components.</p> </div> </div>  <p>⑥ Please contact Dextra for assistance with spare component supply.</p>	