

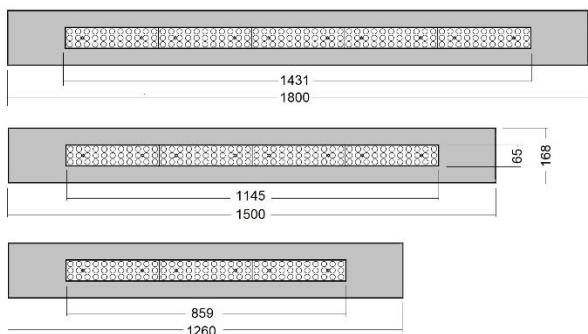
220-240V / 50-60Hz
IP20
IK07



WARNING: Luminaire must be earthed. Risk of electric shock from LED boards if operated with cover removed. Installation / operation outside of luminaires intended scope invalidates warranty. Suitable only for domestic / light industrial / industrial applications within the scope of EN55015. Tested to compliance with BSEN 60598: specification for general requirements and tests. Must be installed by a suitably qualified person in accordance with all relevant legislation. Ambient operating temperature of 0°C to 25°C. If maximum operating temperature is exceeded luminaire will automatically dim / switch off. Terminal blocks are rated to 16A unless stated otherwise. The light source contained in this luminaire shall only be replaced by the manufacturer or his service agent or a similar qualified person. **LUMINAIRES WITH EMERGENCY PACK:** When supply is isolated battery output terminals may be live if battery is connected. Isolate mains and battery before servicing. Emergency luminaires require unswitched live connection taken from same phase as switched supply. When unswitched supply is connected status indicator illuminates green, when unswitched supply is disconnected indicator extinguishes and luminaire operates in emergency mode. 24 hour charge period required before undertaking full discharge test. Emergency test sheets provided should be used to record all emergency tests. Batteries should be replaced when 3 hour duration is not met. Excessive switching of permanent live may result in premature battery failure. Battery electrolyte can be harmful to eyes / open wounds, do not puncture, if electrolyte touches skin / eyes flush with water. Do not incinerate batteries.

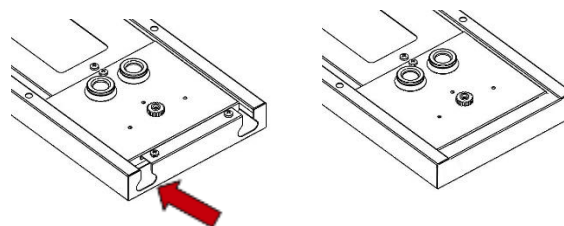
| Terminal Labelling: | |
|---------------------|--------------------------------|
| Power | |
| L1 | Switched Live |
| E | Earth |
| N | Neutral |
| Emergency | |
| L2 | Unswitched Live |
| DA/AT3 | DALI Autotest |
| DA/AT3 | DALI Autotest |
| Dimming | |
| -/D1/DA | Analogue/DSI/DALI |
| +/D2/DA | Analogue/DSI/DALI |
| L3 | Switch Dim / Corridor Function |

1.



Luminaire comes in 3 length options

2.

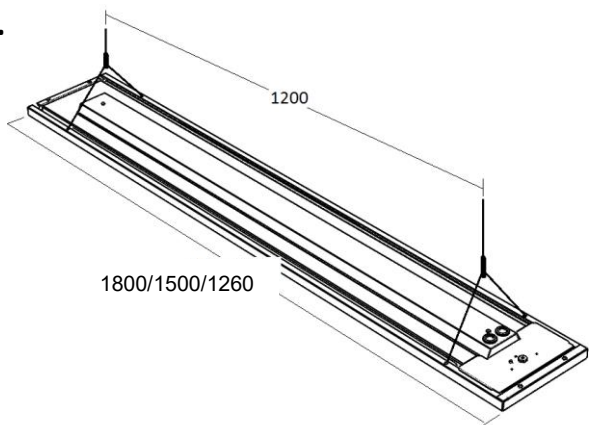


Through-wire (ST / TW / ER)

Standalone

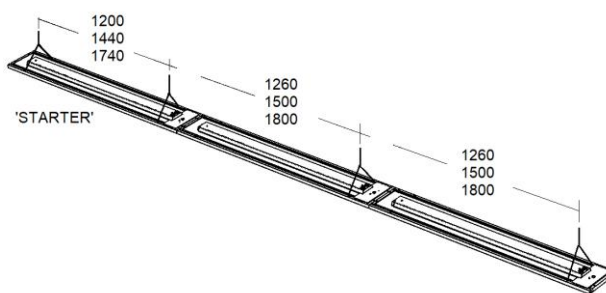
Check fitting type is correct before installation – through-wire versions have cable cut-outs in ends and threaded holes for joining bracket / end plate

3.



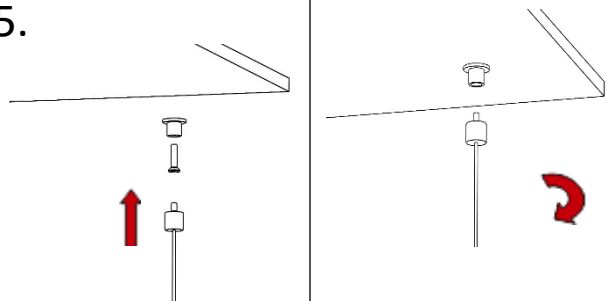
As stand-alone, suspension centres are 1200mm in all lengths

4.



When mounting continuously, STARTER should have x2 suspensions. Subsequent TW fittings require just one... If preferred, each fitting CAN have 2 suspensions fitted (at same centres as STARTER). NOTE, if custom infill pieces are specified, positions of suspensions will be different – always check before installation!!

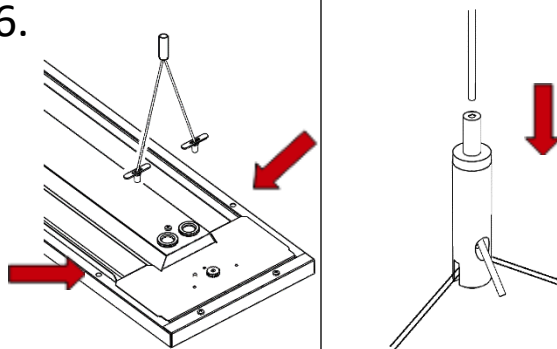
5.



Secure suspension drops as shown in marked positions.

Screw suspension wire and clutch into ceiling fixture.

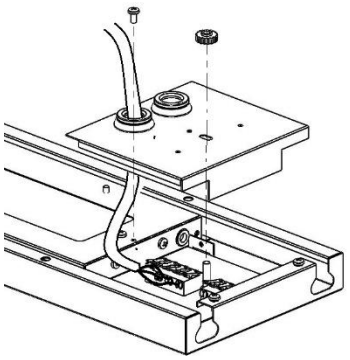
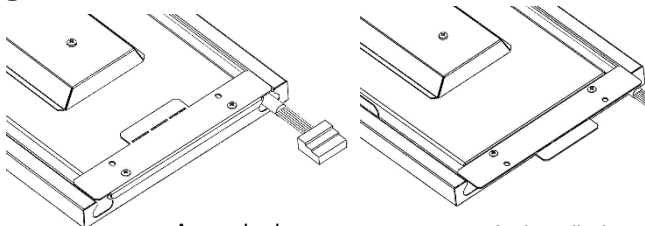
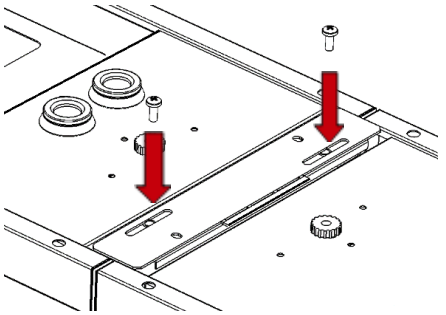
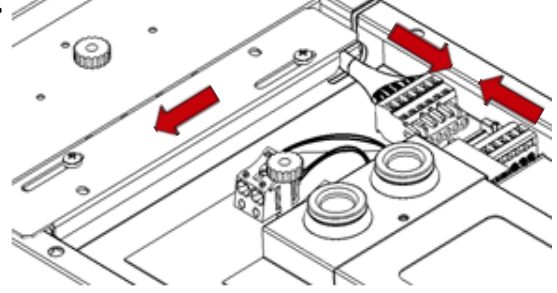
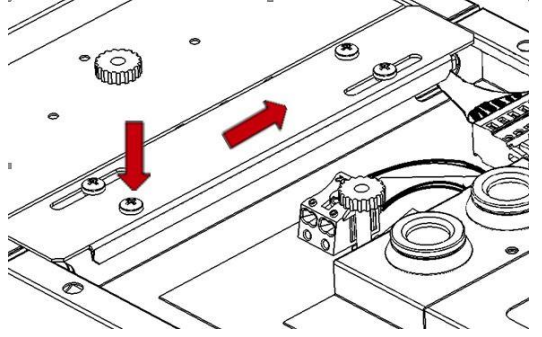
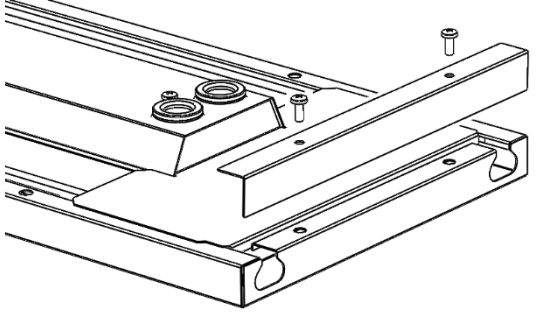
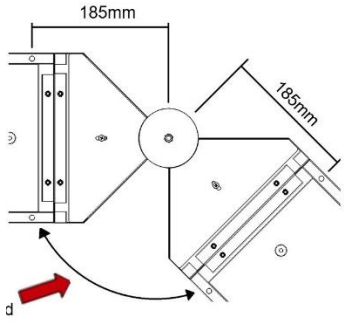
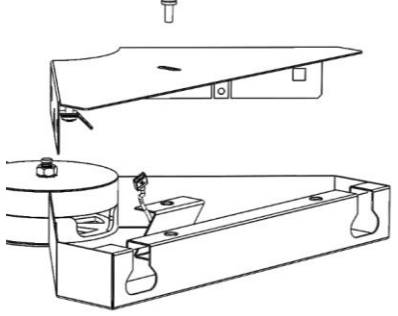
6.



Insert toggles of Y suspension kit in to 7mm holes in luminaire

To attach to main wire, depress top of clutch & insert wire

Sira Installation

| | |
|---|---|
| <p>7.</p>  <p>To make electrical connection, loosen thumbnut & M4 screw, remove / lift away cover plate. Pass cable through entry gland and connect to appropriate terminations</p> | <p>8.</p>  <p>As packed As installed</p> <p>Fittings are supplied with joining brackets reversed (1) – ensure both screws are removed / brackets rotated / re-fixed ready to connect to next fitting (2)</p> |
| <p>9.</p>  <p>When mounting continuously, fit joining brackets as shown using x2 M4x10 screws in the slots.</p> | <p>10.</p>  <p>Slide the joining bracket to one side and drop the through-wire loom into the next fitting. The through wire cable should be connected and located as shown (6-core as standard).</p> |
| <p>11.</p>  <p>Once through-wire loom is connected, slide the joining bracket across to cover the loom and secure with remaining x2 M4x10 screws as shown.</p> | <p>12.</p>  <p>At Start and End of runs, fit ER cap (use x2 M4x10 screws (supplied))</p> |
| <p>13. Corner Installation</p> <p>Install BOTH luminaires first! MARK OUT CAREFULLY</p> <p>Fit joining brackets (remove covers first)</p> <p>Connect through cable</p> <p>Ensure earth is connected to covers</p>  | <p>14.</p>  <p>To complete, re-fit top covers (single M4x10 per cover)</p> |

Maintenance

- 1 Disconnect luminaire before undertaking any maintenance or cleaning.
- 2 Cleaning should be undertaken on external parts of the luminaire only using a slightly damp lint free cloth.
- 3 To access fitting use a pan pozi screwdriver to remove screw. In an anticlockwise motion remove thumb nit to release end plates. Repeat action on opposite end.
- 4 Using a pan pozi screwdriver remove retaining brackets. Gear tray will now be removable.
- 5 Use a pan pozi screwdriver to remove components and LED tray.
- 6 Please contact Dextra for assistance with spare component supply.

