

220-240V / 50-60Hz  
IP20



**WARNING:** Luminaire must be earthed. Risk of electric shock from LED boards if operated with cover removed. Installation / operation outside of luminaires intended scope invalidates warranty. Suitable only for domestic / light industrial / industrial applications within the scope of EN55015. Tested to compliance with BSEN 60598: specification for general requirements and tests. Must be installed by a suitably qualified person in accordance with all relevant legislation. Ambient operating temperature of 0°C to 25°C. If maximum operating temperature is exceeded luminaire will automatically dim / switch off. Terminal blocks are rated to 16A unless stated otherwise. The light source contained in this luminaire shall only be replaced by the manufacturer or his service agent or a similar qualified person. **LUMINAIRES WITH EMERGENCY PACK:** When supply is isolated battery output terminals may be live if battery is connected. Isolate mains and battery before servicing. Emergency luminaires require unswitched live connection taken from same phase as switched supply. When unswitched supply is connected status indicator illuminates green, when unswitched supply is disconnected indicator extinguishes and luminaire operates in emergency mode. 24 hour charge period required before undertaking full discharge test. Emergency test sheets provided should be used to record all emergency tests. Batteries should be replaced when 3 hour duration is not met. Excessive switching of permanent live may result in premature battery failure. Battery electrolyte can be harmful to eyes / open wounds, do not puncture, if electrolyte touches skin / eyes flush with water. Do not incinerate batteries.

<b>Terminal Labelling:</b>	
<b>Power</b>	
L1	Switched Live
E	Earth
N	Neutral
<b>Emergency</b>	
L2	Unswitched Live
DA/AT3	DALI Autotest
DA/AT3	DALI Autotest
<b>Dimming</b>	
-/D1/DA	Analogue/DSI/DALI
+/D2/DA	Analogue/DSI/DALI
L3	Switch Dim / Corridor Function

**1.**

Luminaire comes in 3 length options

**2.**

Through-wire (ST / TW / ER)      Standalone

Check fitting type is correct before installation – through-wire versions have cable cut-outs in ends and threaded holes for joining bracket / end plate

**3.**

As stand-alone, suspension centres are 1200mm in all lengths

**4.**

When mounting continuously, STARTER should have x2 suspensions. Subsequent TW fittings require just one... If preferred, each fitting CAN have 2 suspensions fitted (at same centres as STARTER). NOTE, if custom infill pieces are specified, positions of suspensions will be different – always check before installation!!

**5.**

Secure suspension drops as shown in marked positions.

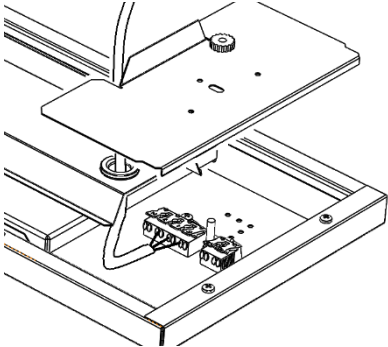
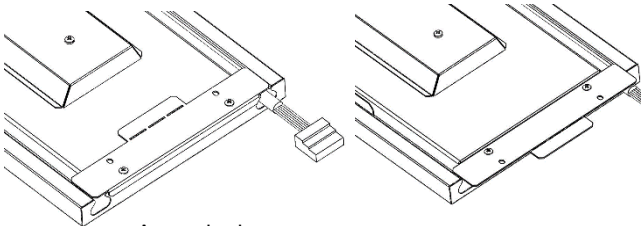
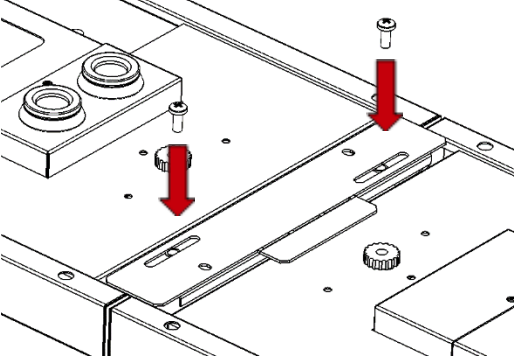
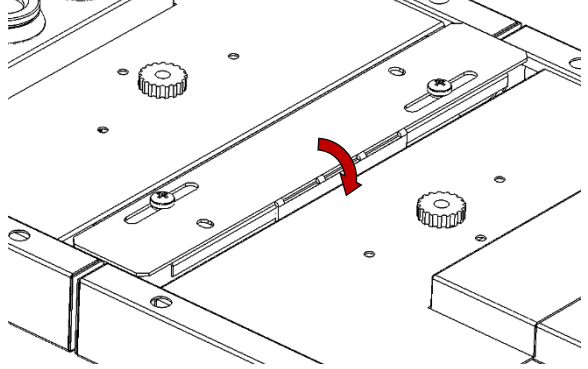
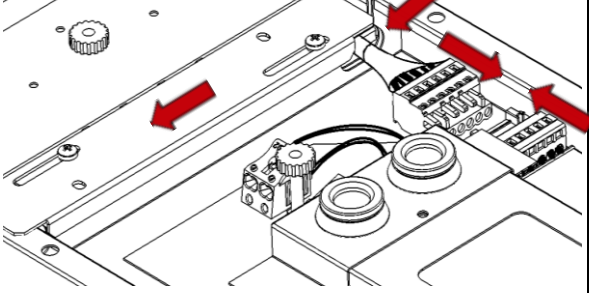
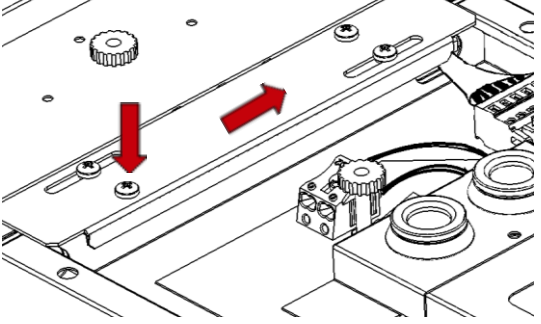
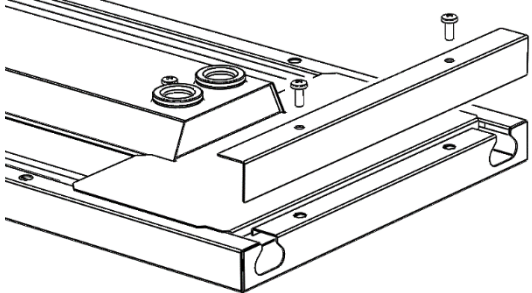
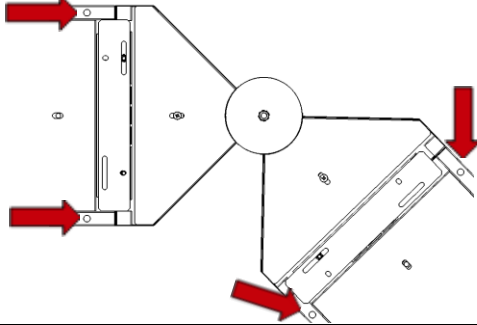
Screw suspension wire and clutch into ceiling fixture.

**6.**

Insert toggles of Y suspension kit in to 7mm holes in luminaire

To attach to main wire, depress top of clutch & insert wire

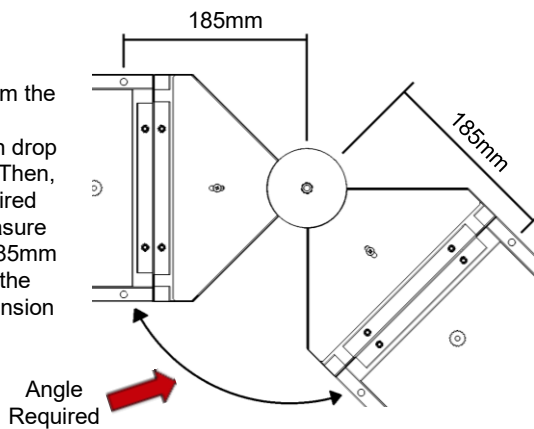
## Element Installation

<p>7.</p>  <p>To make electrical connection, loosen thumbnut, remove / lift away cover plate. Pass cable through entry gland and connect to appropriate terminations</p>	<p>8.</p>  <p>As packed                      As installed</p> <p>Fittings are supplied with joining brackets reversed (1) – ensure both screws are removed / brackets rotated / re-fixed ready to connect to next fitting (2)</p>
<p>9.</p>  <p>When mounting continuously, fit joining brackets as shown using x2 M4x10 screws in the slots.</p>	<p>10.</p>  <p>Bend tab down 90 degrees as shown</p>
<p>11.</p>  <p>Slide the joining bracket to one side and drop the through-wire loom into the next fitting. The through wire cable should be connected and located as shown (6-core as standard).</p>	<p>12.</p>  <p>Once through-wire loom is connected, slide the joining bracket across to cover the loom and secure with remaining x2 M4x10 screws as shown.</p>
<p>13.</p>  <p>At Start and End of runs, fit ER cap (use x2 M4x10 screws (supplied))</p>	<p>14. <b>Corner Installation</b></p> <p>To install a corner section, first install the luminaires each side of the corner.</p> <p><b>NOTE:</b> A suspension point must be installed on both luminaires either side of the corner.</p> 

## Element Installation

15.

Measure 185mm from the previous suspension drop and mark. Then, at the required angle, measure a further 185mm and install the next suspension drop.



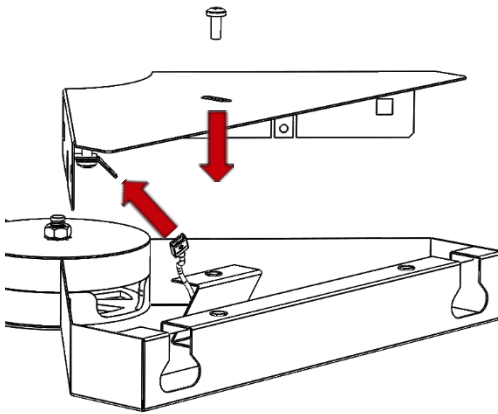
16.

The luminaires can be installed on the suspension drops.

Using the joining brackets provided, secure the corner between the luminaires and connect the internal wiring loom as per steps 9-12 above.

17.

The corner covers are secured using a single screw in the rear. Ensure the earth leads are connected inside the corners.



### Maintenance

- 1 Disconnect luminaire before undertaking any maintenance or cleaning.
- 2 Cleaning should be undertaken on external parts of the luminaire only using a slightly damp lint free cloth.
- 3 To access fitting use a pan pozi screwdriver to remove screw. In an anticlockwise motion remove thumb nut to release end plates. Repeat action on opposite end.
- 4 Using a pan pozi screwdriver remove retaining brackets. Gear tray will now be removable.
- 5 To remove components use a pan pozi screwdriver.
- 6 Please contact Dextra for assistance with spare component supply.

