

MOD Caelus Skylight Installation

220-240V / 50-60Hz
IP20
IK03

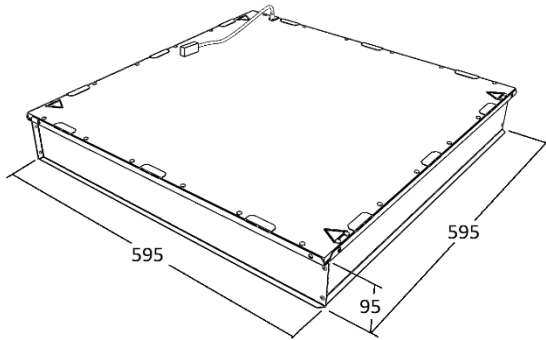


WARNING: Luminaire must be earthed. Risk of electric shock from LED boards if operated with cover removed. Installation / operation outside of luminaires intended scope invalidates warranty. Suitable only for domestic / light industrial / industrial applications within the scope of EN55015. Tested to compliance with BSEN 60598: specification for general requirements and tests. Must be installed by a suitably qualified person in accordance with all relevant legislation. Ambient operating temperature of 0°C to 25°C. If maximum operating temperature is exceeded luminaire will automatically dim / switch off. Terminal blocks are rated to 16A unless stated otherwise. The light source contained in this luminaire shall only be replaced by the manufacturer or his service agent or a similar qualified person.

LUMINAIRES WITH EMERGENCY PACK: When supply is isolated battery output terminals may be live if battery is connected. Isolate mains and battery before servicing. Emergency luminaires require unswitched live connection taken from same phase as switched supply. When unswitched supply is connected status indicator illuminates green, when unswitched supply is disconnected indicator extinguishes and luminaire operates in emergency mode. 24 hour charge period required before undertaking full discharge test. Emergency test sheets provided should be used to record all emergency tests. Batteries should be replaced when 3 hour duration is not met. Excessive switching of permanent live may result in premature battery failure. Battery electrolyte can be harmful to eyes / open wounds, do not puncture, if electrolyte touches skin / eyes flush with water. Do not incinerate batteries.

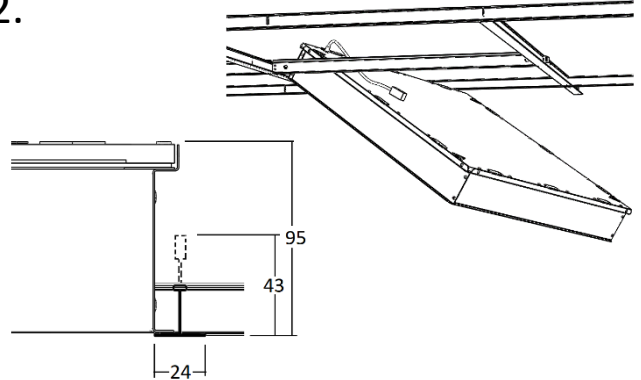
Terminal Labelling:	
Power	
L1	Switched Live
E	Earth
N	Neutral
Emergency	
L2	Unswitched Live
DA/AT3	DALI Autotest
DA/AT3	DALI Autotest
Dimming	
-/D1/DA	Analogue/DSI/DALI
+/D2/DA	Analogue/DSI/DALI
L3	Switch Dim / Corridor Function

1.



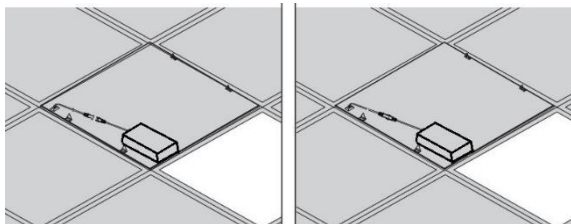
A minimum void of 300mm above suspended ceiling is required to install this luminaire.

2.



Remove ceiling tile(s), lift and rest fitting on T grid

3.

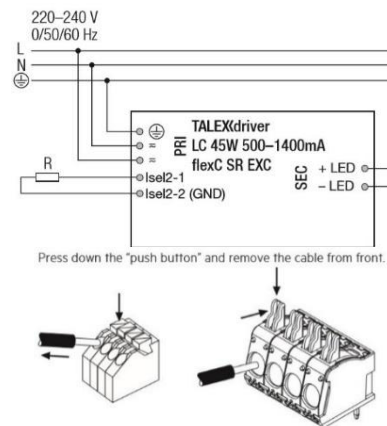


Internal key

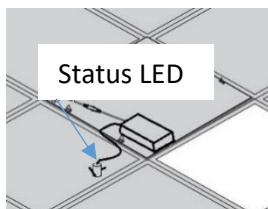
Connector between MODE and driver is keyed internally and has external arrow identification – ENSURE THIS IS CONNECTED CORRECTLY!!

4.

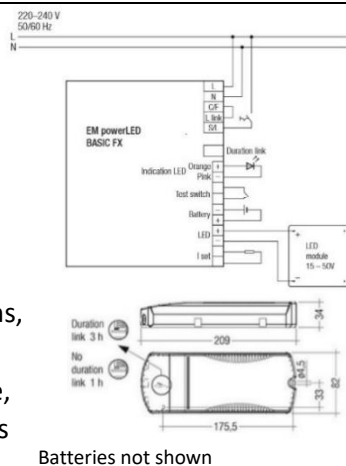
Standard version electrical connection



5.

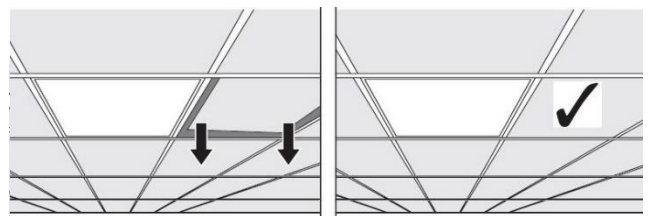


Status LED



For emergency versions, status LED must be located in adjacent tile, as close to luminaire as possible

6.



Replace ceiling tile once installation and wiring is completed – test for operation!

MOD Caelus Skylight Installation

Maintenance

- ① Disconnect luminaire before undertaking any maintenance or cleaning.
- ② Cleaning should be undertaken on external parts of the luminaire only with a slightly damp lint free cloth.
- ③ Luminaire is a non-serviceable product. Disconnect driver from luminaire to replace.
- ④ Please contact Dextra for assistance with spare component supply.

