

## HBE3 M3 LE3/LS3 Installation Leaflet

Voltage: 220-240V / 50-60Hz  
 LED Power: 1.8W  
 Battery: Li-FeP04 18650 3.2V 1500mAh  
 Operating Temperature: 0°C - 40°C  
 IP20



**WARNING - THIS LUMINAIRE MUST BE EARTHED**

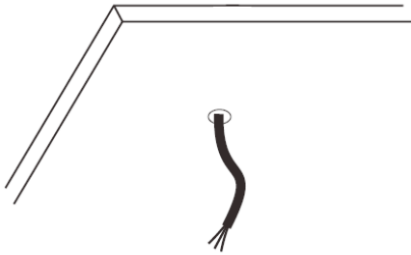
This luminaire has been tested and is manufactured to comply with BS EN 60598 : specification for general requirements and tests. It should be installed by a suitably qualified person in accordance with IEE.

**CAUTION:** there is a potential risk of electric shock from the LED boards when the product is operational with the cover removed.

**NOTE:** INSTALLATION AND OPERATION OF THE LUMINAIRE BEYOND ITS SCOPE OF SUPPLY WILL INVALIDATE THE WARRANTY.

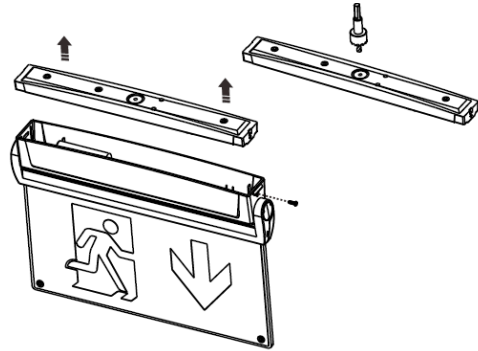
**BEFORE** installation, the electrical supply and battery pack **MUST** be disconnected.

### 1. Ceiling/Wall surface mount



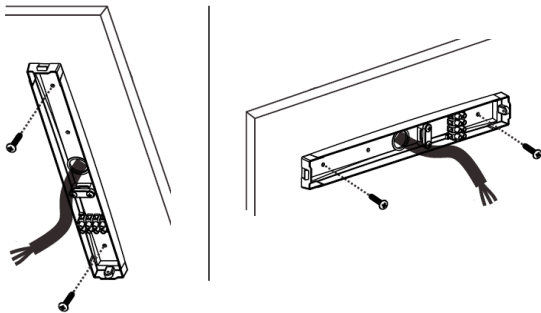
Drill a hole in the ceiling and feed the cable through.

### 2.



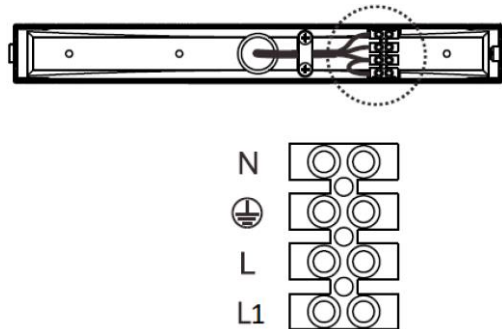
Remove the top cover and drill the cable entry hole in the indicated location.

### 3.



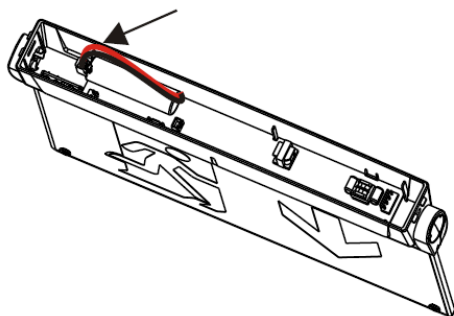
Drill two fixing holes and secure the cover in place with two screws.

### 4.



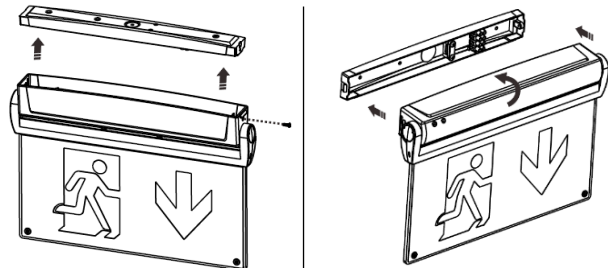
Pass the cable through and wire directly into the terminal block. Secure the mains cable using the internal cable clamp.

### 5.



Connect the battery.

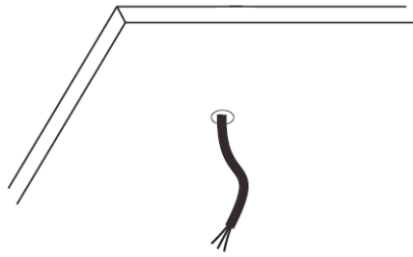
### 6.



Attach the fitting to the top cover and secure in place. When wall mounting, rotate the body 90 degrees and secure in place.

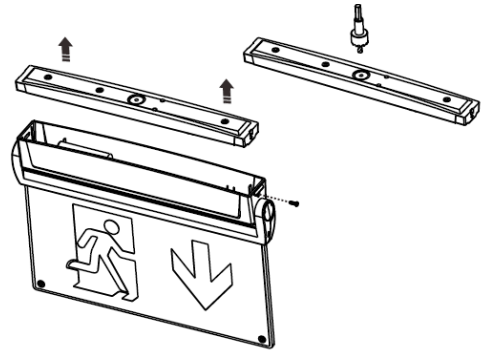
## HBE3 M3 LE3/LS3 Installation Leaflet

### 1. Suspended installation



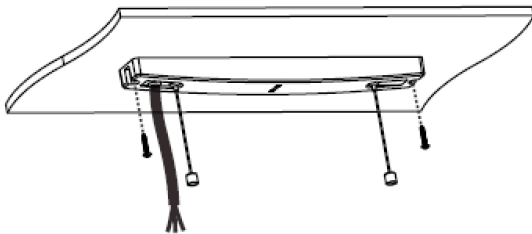
Drill a hole in the ceiling and feed the cable through.

### 2.



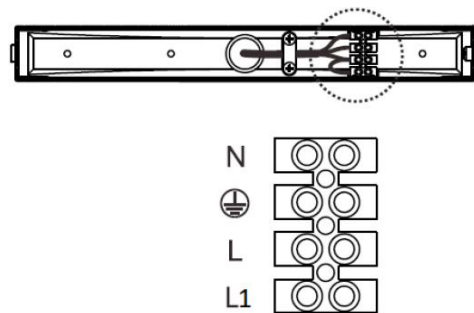
Remove the top cover and drill the cable entry hole in the indicated location.

### 3.



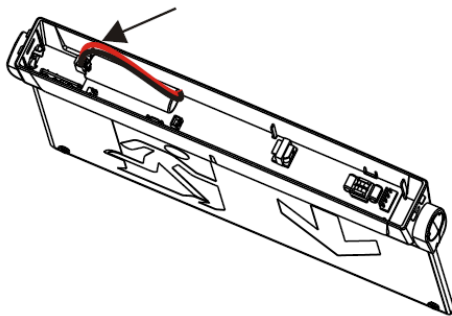
Drill two fixing holes and secure the bracket in place with two screws.

### 4.



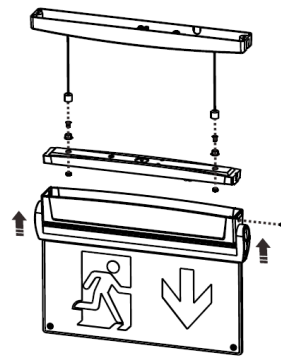
Pass the cable through and wire directly into the terminal block. Secure the mains cable using the internal cable clamp.

### 5.



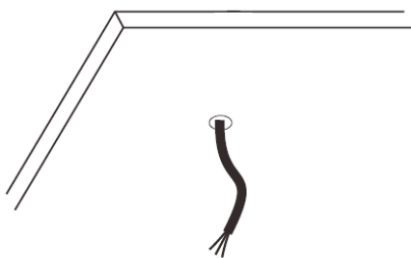
Connect the battery.

### 6.



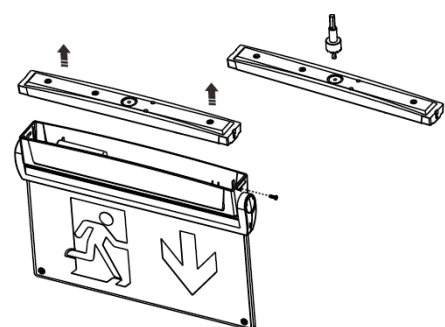
Attach the top cover to the suspended bracket and secure the fitting in place.

### 1. Side-mounted



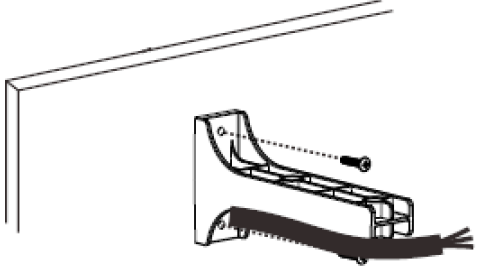
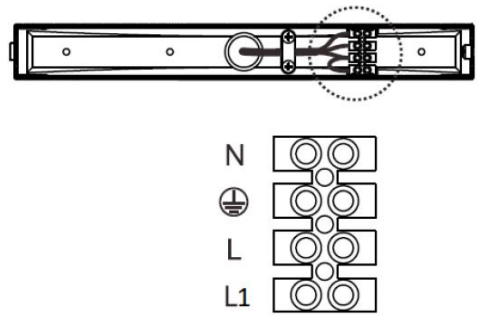
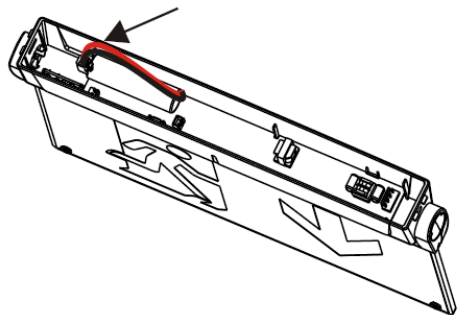
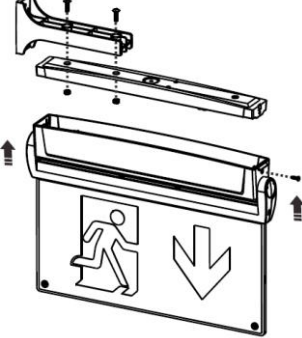
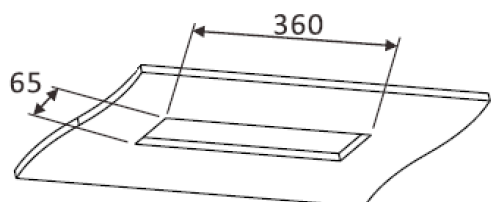
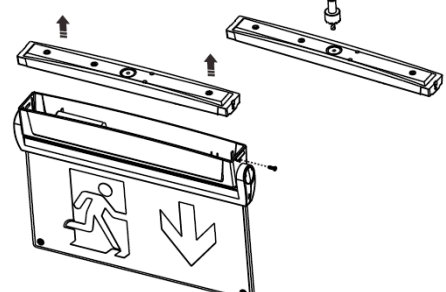
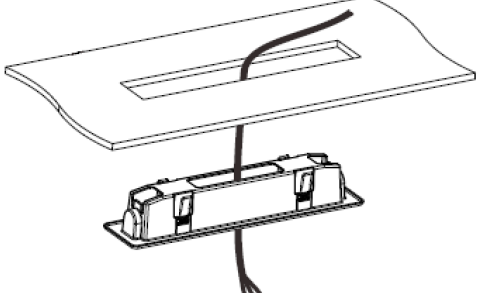
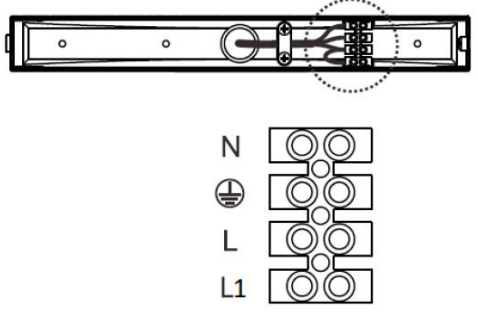
Drill a hole in the ceiling and feed the cable through.

### 2.



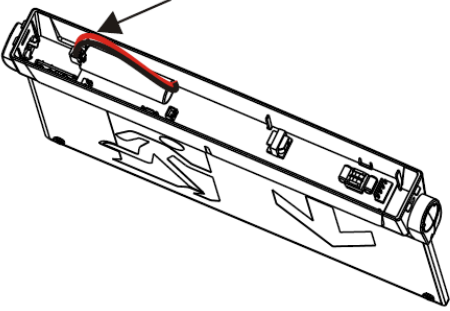
Remove the top cover and drill the cable entry hole in the indicated location.

## HBE3 M3 LE3/LS3 Installation Leaflet

<p>3.</p>  <p>Drill two holes and secure the side bracket with two screws.</p>	<p>4.</p>  <p>Pass the cable through and wire directly into the terminal block. Secure the mains cable using the internal cable clamp.</p>
<p>5.</p>  <p>Connect the battery.</p>	<p>6.</p>  <p>Attach the top cover to the side bracket and secure the fitting in place.</p>
<p><b>1. Recessed</b></p>  <p>Make a cut-out in the ceiling using the dimensions pictured.</p>	<p>2.</p>  <p>Remove the top cover and drill the cable entry hole in the indicated location.</p>
<p>3.</p>  <p>Pass the cable through, and install the recessed bracket.</p>	<p>4.</p>  <p>Pass the cable through and wire directly into the terminal block. Secure the mains cable using the internal cable clamp.</p>

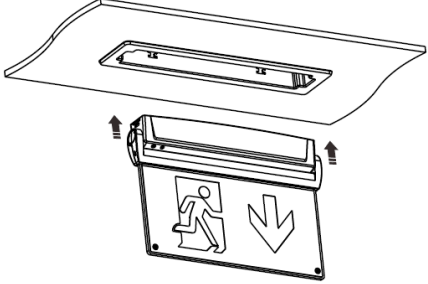
## HBE3 M3 LE3/LS3 Installation Leaflet

**5.**



Connect the battery.

**6.**



Install the fitting in the recessed bracket and secure in place.

**7.**

Reconnect the power supply and check that the green LED indicator is illuminated. This green indicator confirms the battery is charging.

LS3 only:

Any faults with the luminaire will be displayed by a flashing red indicator.

Normal operation - Green indicator  
 Battery failure - Red indicator, **once every 3 seconds**  
 Lighting source failure - Red indicator, **twice every 3 seconds**  
 Less than rated duration time - Red indicator, **three times every 3 seconds**

**8.** Self-Test (LS3 only):

Every month, the luminaire will undergo an automatic test which lasts for 10 minutes. An annual duration test will also occur for a total of 3 hours. The luminaire will return to normal operation once the test has finished.

During testing, the battery is not charging and the red LED indicator will flash continuously.

---

**9.**

Do **NOT** cover the luminaire in any way and provide sufficient ventilation.

Installation is now complete.

EMERGENCY LIGHTING TEST RECORD CARD											
LOCATION....		Date Installed...				Installed by...					
TEST	MONTH	YEAR 1		YEAR 2		YEAR 3		YEAR 4		YEAR 5	
		Signed	Date	Signed	Date	Signed	Date	Signed	Date	Signed	Date
1	FUNCT										
2	FUNCT										
3	FUNCT										
4	FUNCT										
5	FUNCT										
6	FUNCT										
7	FUNCT										
8	FUNCT										
9	FUNCT										
10	FUNCT										
11	FUNCT										
12	3HOUR										