

Installation Sheet

It is recommended that luminaires are installed and fitted by a qualified electrician ensuring the installation complies to the current IEE wiring regulations.

Dimmable Luminaire

This product is dimmable with standard Triac Dimmers. It is recommended that you only use the endorsed dimmer brands - please consult your lighting provider before installation.

Product Information

Electrical Classification: Class II
Voltage: 220 - 240Volt 50Hz
Running Current: 0,05Amps
Ingress Protection: IP65
Rated Wattage: 10W
Beam Angle: 36°/60°
Colour Temp: 3000K/5000K

Fittings should not be installed near to heat sources or in any area's with a ambient temperature normally in excess of 30°C.

Do not carry out high voltage insulation testing with this luminaire connected as it will damage the electronic driver.



Additional Accessory
Insulation Separator Bracket

Suggested method of Installation

Please read this additional information to aid the safe and reliable operation of this luminaire in a cold loft space with insulation material present.

When using this accessory loft insulation may be laid across the back of the luminaire.

Step A Add the "Insulation Separator Bracket" to the recess luminaire ceiling insert.

Step B The bracket simply clips into the center of the ceiling location springs on both sides.

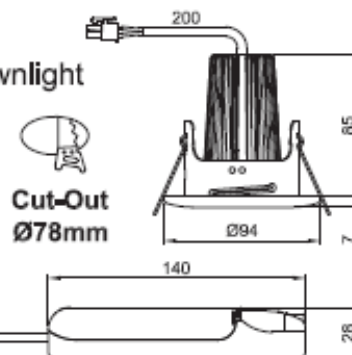
Step C Fit luminaire as per standard instructions.

GUARANTEE

This product is guaranteed for a period of 2 years from the date of purchase. The guarantee is invalid in the case of improper use, improper installations or tampering. Should the product fail during the guarantee period it will be replaced free of charge, subject to correct installation and return of the faulty unit. The provider is not responsible for any costs associated with the replacement of this product.

Model Number: PTECG10 COB
Description: LED Gimbal Fire Rated Downlight
Compliance: BS476 & BSEN60 598
Finish: White/Brushed Chrome

Fire Rated LED IP65 Downlight suitable for 30, 60 and 90 minute plasterboard ceilings.



Cut-Out
Ø78mm



Always ensure there is adequate free air ventilation around the luminaire at all times. Do not install this product into damp or newly plastered ceilings.

Always switch off the mains supply before installation or servicing.

Suggested method of Installation

Read instructions and check you have all the tools and accessories to complete the installation correctly.

Step 1

Cut aperture in the ceiling of Dia Ø78mm. We recommend that a sample hole is cut in some scrap material to familiarise yourself with the installation.

Step 2

With the springs pressed backwards, insert the recessed metal chassis into the aperture and allow the springs to support and centre the ceiling insert.

Step 3

Allow the lighting cable to drop through the aperture. Connect mains cabling to the LED Driver. Ensure all cables are neatly dressed away from any secondary heat sources.

Step 4

Locate LED lighting module into front bezel. Twist to locate as shown.

Step 5

Using the plug and play connection - connect the LED module to the LED Driver. Important! Ensure this connection is made before switching on.

Step 6

Manipulate the tilt mechanism until it's in the desired position.

Step 7

Carefully locate the front bezel into the ceiling housing, twist bezel clockwise until firmly located.

Step 8

Restore electricity and check illumination.

This product may contain substances that can be hazardous to the environment if not disposed of properly. Electrical and electronic equipment should never be disposed of with general household waste but must be separately for its correct treatment and recovery. Where possible recycle your packaging.



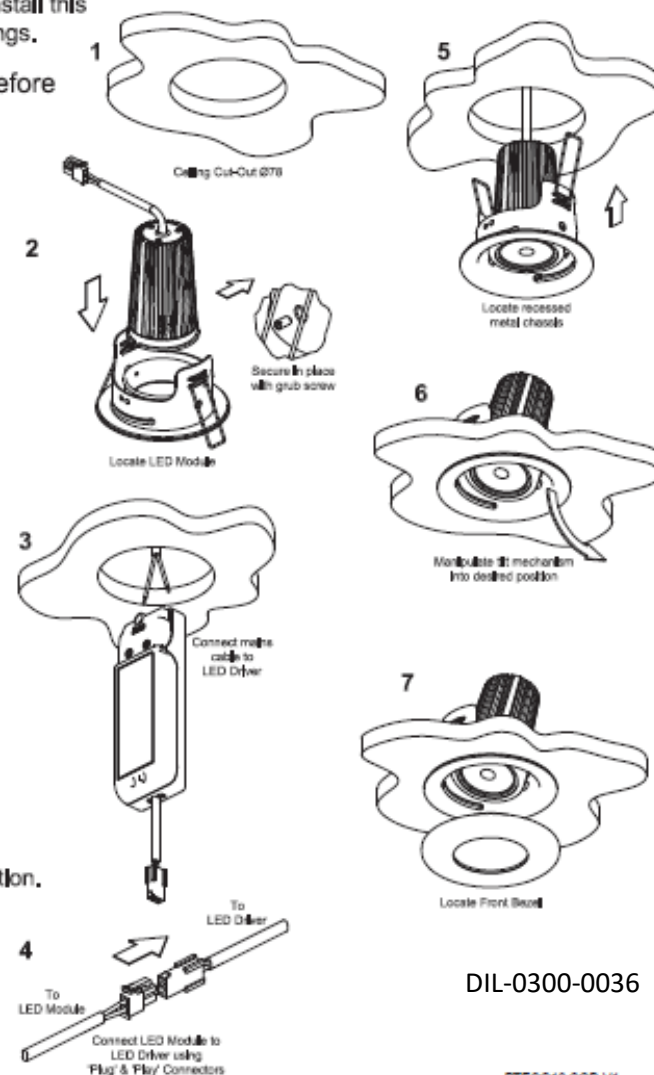
Mains Connection of the Driver

Primary 240V 50Hz, Class II

Wire - Brown cable to connection marked "L"

Wire - Blue cable to connection marked "N"

This is a double insulated driver, however earth provision has been provided for terminating only.



DIL-0300-0036