

220-240V / 50-60Hz
IP30
IK07

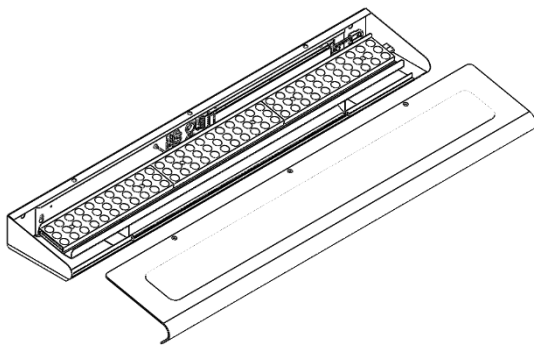


Terminal Labelling:	
Power	
L1	Switched Live
E	Earth
N	Neutral
Emergency	
L2	Unswitched Live
DA/AT3	DALI Autotest
DA/AT3	DALI Autotest
Dimming	
-/D1/DA	Analogue/DSI/DALI
+/D2/DA	Analogue/DSI/DALI
L3	Switch Dim / Corridor Function

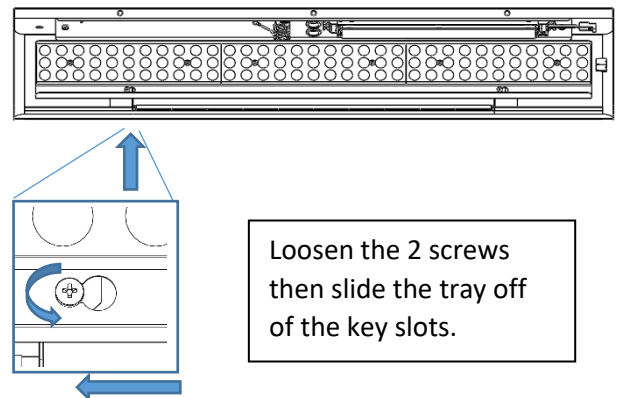


WARNING: Luminaire must be earthed. Risk of electric shock from LED boards if operated with cover removed. Installation / operation outside of luminaires intended scope invalidates warranty. Suitable only for domestic / light industrial / industrial applications within the scope of EN55015. Tested to compliance with BSEN 60598: specification for general requirements and tests. Must be installed by a suitably qualified person in accordance with all relevant legislation. Ambient operating temperature of 0°C to 25°C. If maximum operating temperature is exceeded luminaire will automatically dim / switch off. Terminal blocks are rated to 16A unless stated otherwise. The light source contained in this luminaire shall only be replaced by the manufacturer or his service agent or a similar qualified person. **LUMINAIRES WITH EMERGENCY PACK:** When supply is isolated battery output terminals may be live if battery is connected. Isolate mains and battery before servicing. Emergency luminaires require unswitched live connection taken from same phase as switched supply. When unswitched supply is connected status indicator illuminates green, when unswitched supply is disconnected indicator extinguishes and luminaire operates in emergency mode. 24 hour charge period required before undertaking full discharge test. Emergency test sheets provided should be used to record all emergency tests. Batteries should be replaced when 3 hour duration is not met. Excessive switching of permanent live may result in premature battery failure. Battery electrolyte can be harmful to eyes / open wounds, do not puncture, if electrolyte touches skin / eyes flush with water. Do not incinerate batteries.

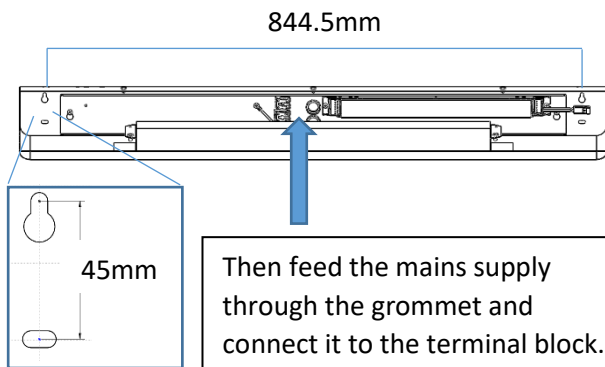
1. The luminaire will be supplied in 2 sections with securing rivets bagged separately.



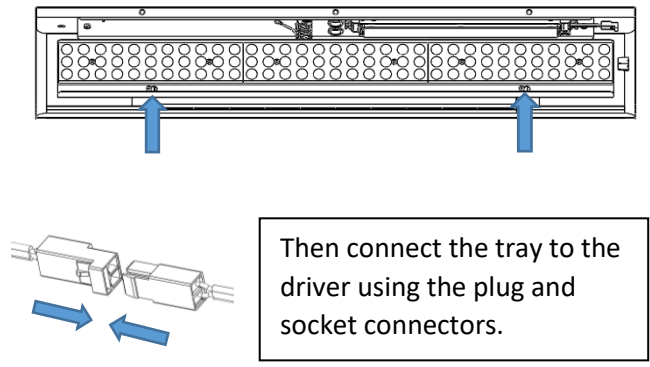
2. First remove up light gear tray from the main housing.



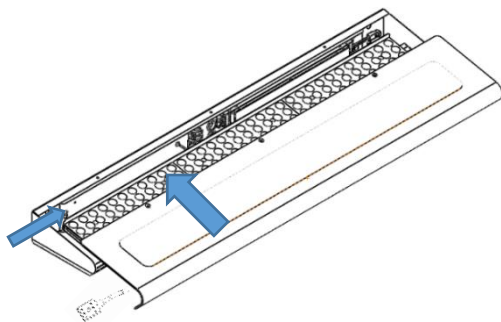
3. Screw the fitting to the wall using all 4 fixing locations. This will ensure fitting is secure to the wall.



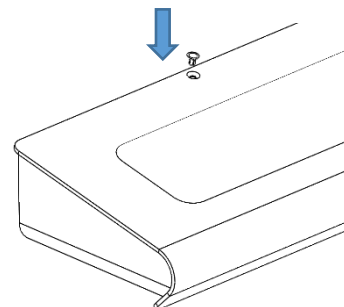
4. Once secured to the wall, re attach the up light gear tray. (opposite of step 2)



5. Connect the covers **EARTH LEAD** to the housing then slide the top cover onto the housing.



6. Secure the top cover to the housing using the 3 push rivets supplied. Installation is now complete.



Somnum Installation

Maintenance

- 1 Disconnect luminaire before undertaking any maintenance or cleaning.
- 2 Cleaning should be undertaken on external parts of the luminaire only using a slight damp lint free cloth.
- 3 Using a flat head screwdriver to remove plastic rivets from frame.
- 4 To remove LED circuit use a pan pozi screwdriver to remove tray and lens.
- 5 To remove gear tray and components use a pan pozi screwdriver.
- 6 Please contact Dextra for assistance with spare component supply.

